



Chipsmall Limited consists of a professional team with an average of over 10 year of expertise in the distribution of electronic components. Based in Hongkong, we have already established firm and mutual-benefit business relationships with customers from,Europe,America and south Asia,supplying obsolete and hard-to-find components to meet their specific needs.

With the principle of “Quality Parts,Customers Priority,Honest Operation,and Considerate Service”,our business mainly focus on the distribution of electronic components. Line cards we deal with include Microchip,ALPS,ROHM,Xilinx,Pulse,ON,Everlight and Freescale. Main products comprise IC,Modules,Potentiometer,IC Socket,Relay,Connector.Our parts cover such applications as commercial,industrial, and automotives areas.

We are looking forward to setting up business relationship with you and hope to provide you with the best service and solution. Let us make a better world for our industry!



Contact us

Tel: +86-755-8981 8866 Fax: +86-755-8427 6832

Email & Skype: info@chipsmall.com Web: www.chipsmall.com

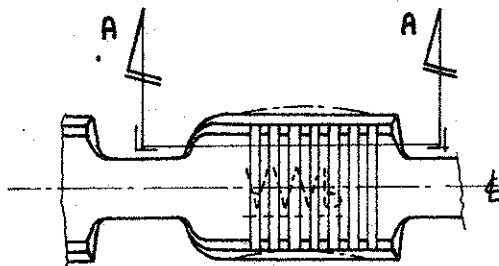
Address: A1208, Overseas Decoration Building, #122 Zhenhua RD., Futian, Shenzhen, China



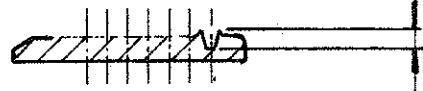
PROIEZIONE AMERICANA

SEZ. A-A

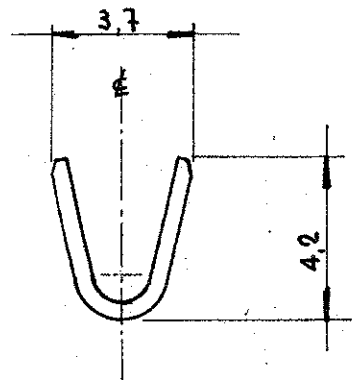
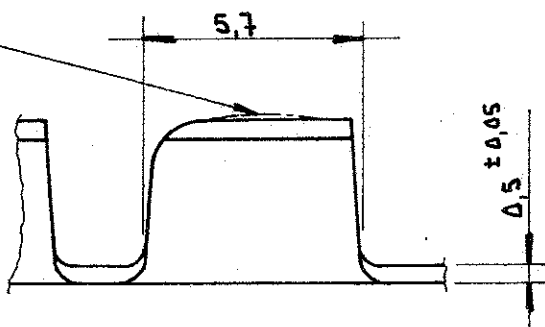
NUMBER
C-280538



$\Delta,12$
 $\Delta,18$



È AMMESSA UNA PICCOLA DISTORSIONE



STAGNATO	BRONZO FOSFOROSO	280538 -4 *
—	BRONZO FOSFOROSO	280538 -3 *
STAGNATO	OTTONE	280538 -2
—	OTTONE	280538 -1
FINITURA	MATERIALE	AMP P.N.

OBSOLETE

* Non ancora in Produzione.

DIMENSIONS IN MM. DO NOT SCALE PRINT.

				© 1974 BY AMP INCORPORATED. ALL RIGHTS RESERVED. AMP PRODUCTS COVERED BY PATENTS AND/OR PATENTS PENDING.		CUSTOMER COPY REFERENCE ONLY	
				MATERIAL AND FINISH		AMP ITALIA VIA CERVI 15 COLLEGNO (TORINO)	
E	Revised for ET00-0241-93	18/9/74		VEDI TABELLA		CLASS N	
B	REVISIONATO	6-9-77		WIRE RANGE 1500 CMA		TYPE N	
A	IN PRODUZIONE P.N. 1/2	22-10-74		INSULATION		NO C-280538	
1	P.N. ERA IA-74-5136	16-5-74		TOLERANCE EXCEPT AS NOTED ± 0.4 ± 10°		LOC I A	
LTR	REVISION RECORD	DR	CHK	DATE	SCALE 5:1	REV E	
DR	12-4-74	DE			NAME AMPLIVAR SPLICE 7 SERRATIONS OFFSET TO SHEAR END		
CHK	30 APRILE 74	APP					