



Chipsmall Limited consists of a professional team with an average of over 10 year of expertise in the distribution of electronic components. Based in Hongkong, we have already established firm and mutual-benefit business relationships with customers from,Europe,America and south Asia,supplying obsolete and hard-to-find components to meet their specific needs.

With the principle of “Quality Parts,Customers Priority,Honest Operation,and Considerate Service”,our business mainly focus on the distribution of electronic components. Line cards we deal with include Microchip,ALPS,ROHM,Xilinx,Pulse,ON,Everlight and Freescale. Main products comprise IC,Modules,Potentiometer,IC Socket,Relay,Connector.Our parts cover such applications as commercial,industrial, and automotives areas.

We are looking forward to setting up business relationship with you and hope to provide you with the best service and solution. Let us make a better world for our industry!



## Contact us

Tel: +86-755-8981 8866 Fax: +86-755-8427 6832

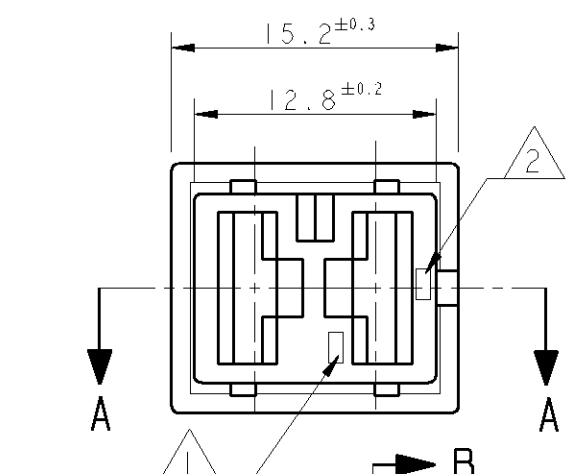
Email & Skype: info@chipsmall.com Web: www.chipsmall.com

Address: A1208, Overseas Decoration Building, #122 Zhenhua RD., Futian, Shenzhen, China

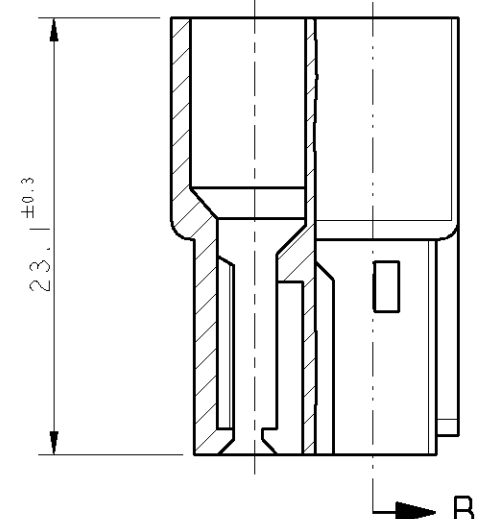


THIS DRAWING IS UNPUBLISHED.  
 QUESTO DISEGNO NON DEVE ESSERE DIVULGATO O RIPRODOTTO  
 RELEASED FOR PUBLICATION  
 E' CONSENTITA LA DIVULGAZIONE .19  
 ALL RIGHTS RESERVED  
 TUTTI I DIRITTI SONO RISERVATI

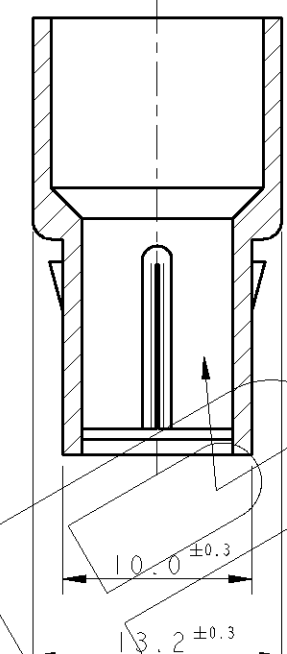
LOC	DIST	REVISIONS			DATE	DWN	APVD
1	-	P	LTR	DESCRIPTION	DATA	DIS.	APP.
		J1		REVISED PER ECO-11-005140	29APR11	RK	HMR



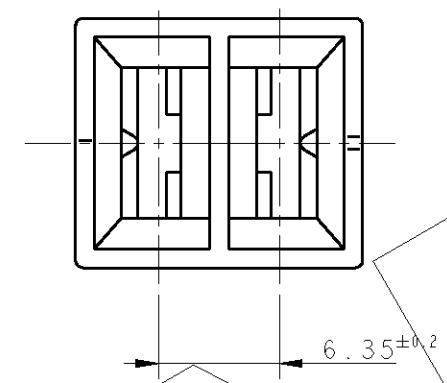
SEZ. PARZIALE A-A  
 PARTIAL SECT. A-A



SEZIONE B-B  
 SECTION B-B



TIPICA CAVITA' PER TERMINALE AMP  
 FASTIN-FASTON SR.6.35mm.  
 (TYPICAL CAVITY FOR AMP  
 FASTIN-FASTON .250 SR.)



NERO (BLACK)	PA 6.6 (PA 6.6 UNFILLED)	280543-5
GIALLO (YELLOW)		<del>280543-4</del> 3
BLU (BLUE)		<del>280543-3</del> 3
VERDE (GREEN)		<del>280543-2</del> 3
ROSSO (RED)		<del>280543-1</del> 3
NEUTRO (CLEAR)		280543-0
<b>COLORE (COLOUR)</b>		<b>MATERIALE (MATERIAL)</b>

DWN /DIS. 22JUN98 F. BORIN			
CHK /CONT. 22JUN98 C. TARTARI			
APVD /APP. -		NAME NOME	
PRODUCT SPEC SPEC DI PRODOTTO 108-20020		FASTIN-FASTON™ CONNECTOR	
APPLICATION SPEC SPEC DI APPLICAZIONE -		.250 SRS.RECEPTACLE HOUSING, 2 POS.	
MATERIAL MATERIALE SEE TABLE		SIZE A3	RESTRICTED TO -
FINISH FINITURA -		CAGE CODE 00779	DRAWING NO. C=280543
WEIGHT PESO -		SCALE SCALA 2.5:1	SHEET FOGLIO OF 01
CUSTOMER DRAWING		DISEGNO PER CLIENTE SOLO PER RIFERIMENTO	
		REV J1	

- 1 NUMERO DI IMPRONTA STAMPO (MOULD CAVITY IDENTIFICATION NO.)
- 2 MARCHIO DI FABBRICA AMP (AMP TRADE MARK)
- 3 OBSOLETE