



Chipsmall Limited consists of a professional team with an average of over 10 year of expertise in the distribution of electronic components. Based in Hongkong, we have already established firm and mutual-benefit business relationships with customers from,Europe,America and south Asia,supplying obsolete and hard-to-find components to meet their specific needs.

With the principle of “Quality Parts,Customers Priority,Honest Operation,and Considerate Service”,our business mainly focus on the distribution of electronic components. Line cards we deal with include Microchip,ALPS,ROHM,Xilinx,Pulse,ON,Everlight and Freescale. Main products comprise IC,Modules,Potentiometer,IC Socket,Relay,Connector.Our parts cover such applications as commercial,industrial, and automotives areas.

We are looking forward to setting up business relationship with you and hope to provide you with the best service and solution. Let us make a better world for our industry!



Contact us

Tel: +86-755-8981 8866 Fax: +86-755-8427 6832

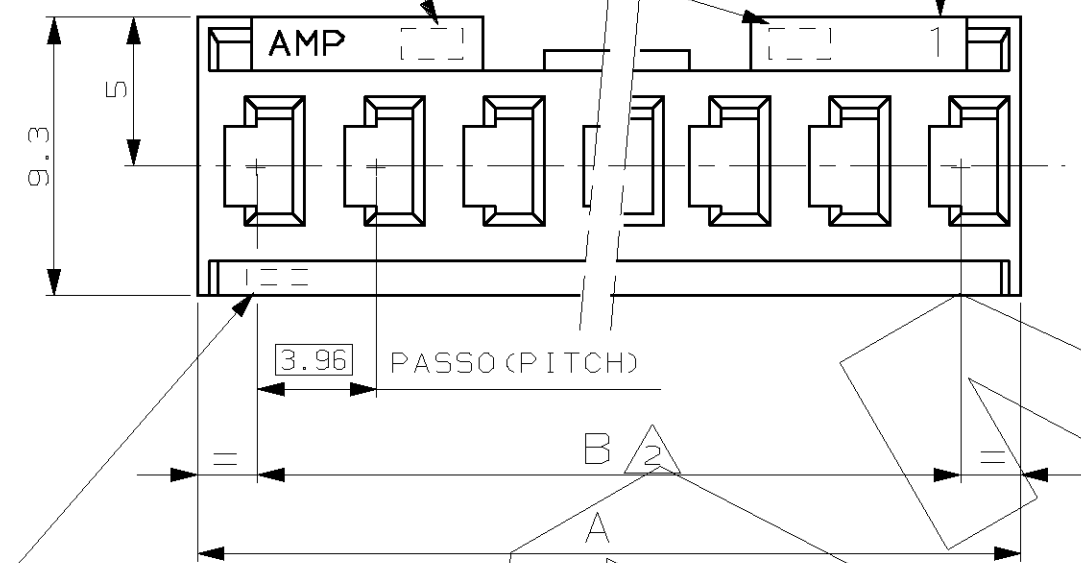
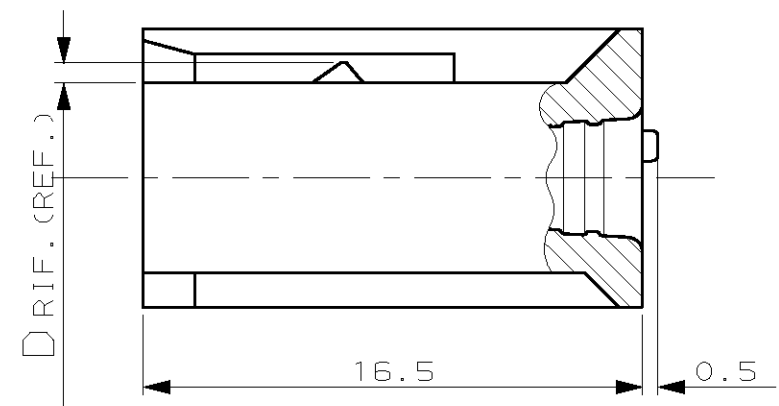
Email & Skype: info@chipsmall.com Web: www.chipsmall.com

Address: A1208, Overseas Decoration Building, #122 Zhenhua RD., Futian, Shenzhen, China



CODICE AMP DI NAZIONALITA' (—••)
 E N° IMPRONTA STAMPO (POSIZIONE OPZIONALE).
 MANUFACTURING LOCATION CODE (—••)
 AND MOULD POCKET NO. (OPTIONAL POSITION).

INDICATORE DELLA VIA NO.1 (FACOLTATIVO)
 FIRST WAY IDENTIFICATION (OPTIONAL)



MARCHIO AMP, CODICE AMP DI NAZIONALITA' (—••) E
 N° IMPRONTA STAMPO SOLO PER P/N 280590.
 FOR P/N 280590 ONLY: AMP TRADEMARK, MANUFACTURING
 LOCATION CODE (—••) AND MOULD POCKET NO.

SPORGENZE DI IDENTIFICAZIONE LATO
 DI AGGANCIAMENTO DEL CONTATTO FEMMINA
 (IDENTIFICATION LEDGES FOR RECEPTACLE
 CONTACT LOCKING LANCE POSITIONING)

47.4	43.59	2.0	0.70	12	280595
39.5	35.66			10	280594
31.6	27.74			8	280593
23.7	19.81			6	280592
15.7	11.89		G	4	280591
7.8	3.96	1.0	0.25	2	280590
A	B	C	D	NO. POS.	NUMERO (PART NUMBER)

NOTE (NOTES)

- 1 MATERIALE: POLICARBONATO CAR. VETRO UL94V-1, COLORE VERDE.
 (MATERIAL: G.F.F. POLYCARBONATE UL94V-1, COLOR GREEN).
- 2 NO. PASSI x 3.96 ; TOLLERANZA NON CUMULATIVA.
 (NO. OF PITCHES x 3.96 ; TOLERANCE NOT CUMULATIVE).

CUSTOMER DRAWING FOR REFERENCE ONLY
 DISEGNO PER CLIENTE SOLO PER RIFERIMENTO

THIS DRAWING IS UNPUBLISHED RELEASE FOR PUBLICATION 19

TOLLERANZE: SE NON DIVERSAMENTE SPECIFICATO (TOLERANCES, UNLESS OTHERWISE SPECIFIED) ± 0.3
 ANGOLI (ANGLES) ± 2°
 DIS. (DR.) G. CAMPIA 7 SEP 90
 CONT. (CHK) —
 APP. (APP.) —

MATERIALE (MATERIAL) VEDERE NOTA (SEE NOTE) 1
 SCALA (SCALE) 4:1
TE TE Connectivity
 DESCRIZIONE (DESCRIPTION) AMPMODU I RECEPTACLE HOUSINGS

G1	REVISED PER ECO-11-005294	RK	05APR 11	LOC. SIZE	NUMERO (DWG NO)	REV.	FOGLIO (SHEET)
REV. (REV. LTR.)	REVISIONI (REVISION RECORD)	DIS. (DR)	DATA (DATE)	APP. (APP.)	I A3 C-280590	G1	1 DI (OF) 1

DISTRIBUZIONE (PRINT DIST.)