



Chipsmall Limited consists of a professional team with an average of over 10 year of expertise in the distribution of electronic components. Based in Hongkong, we have already established firm and mutual-benefit business relationships with customers from,Europe,America and south Asia,supplying obsolete and hard-to-find components to meet their specific needs.

With the principle of “Quality Parts,Customers Priority,Honest Operation,and Considerate Service”,our business mainly focus on the distribution of electronic components. Line cards we deal with include Microchip,ALPS,ROHM,Xilinx,Pulse,ON,Everlight and Freescale. Main products comprise IC,Modules,Potentiometer,IC Socket,Relay,Connector.Our parts cover such applications as commercial,industrial, and automotives areas.

We are looking forward to setting up business relationship with you and hope to provide you with the best service and solution. Let us make a better world for our industry!



Contact us

Tel: +86-755-8981 8866 Fax: +86-755-8427 6832

Email & Skype: info@chipsmall.com Web: www.chipsmall.com

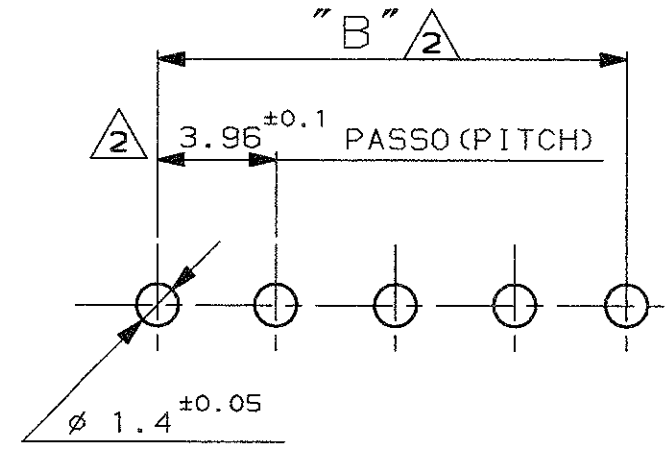
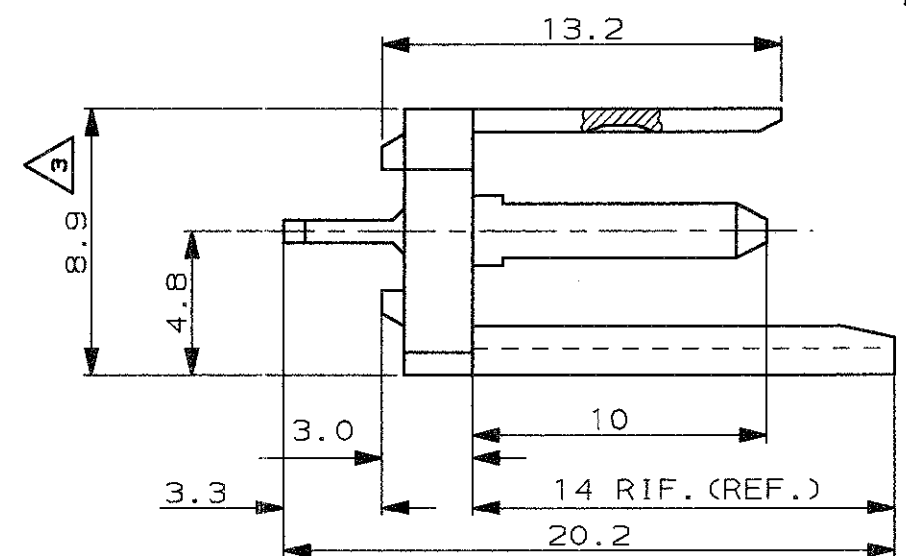
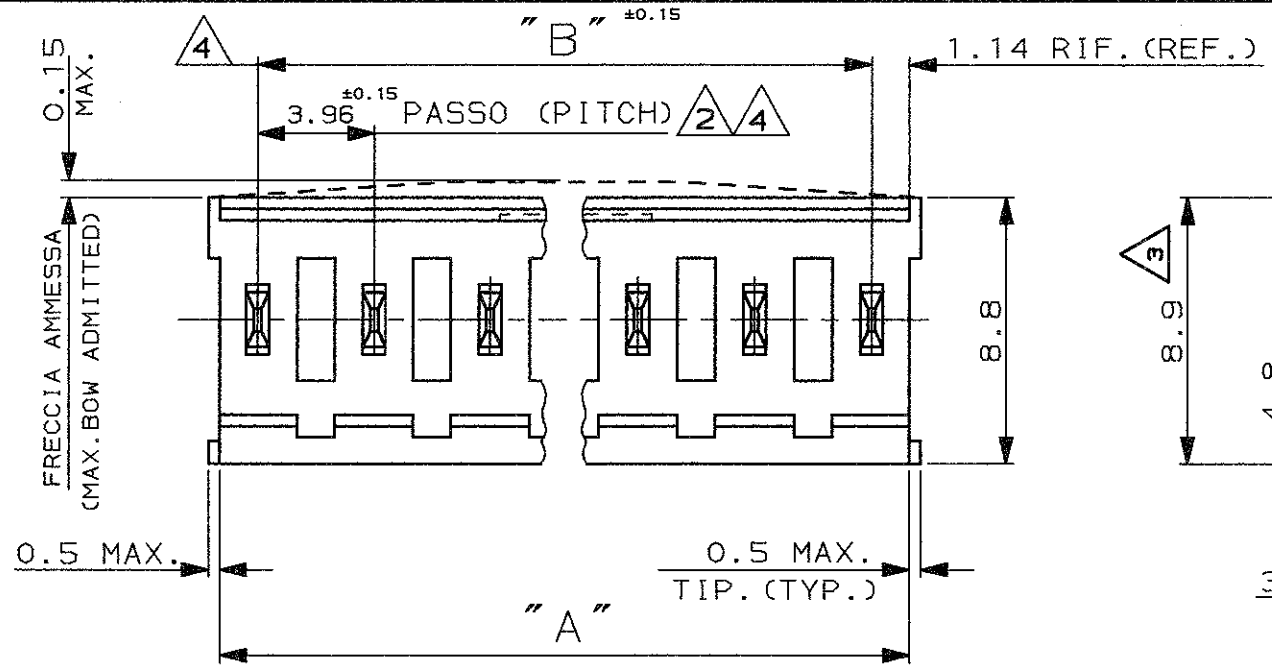
Address: A1208, Overseas Decoration Building, #122 Zhenhua RD., Futian, Shenzhen, China



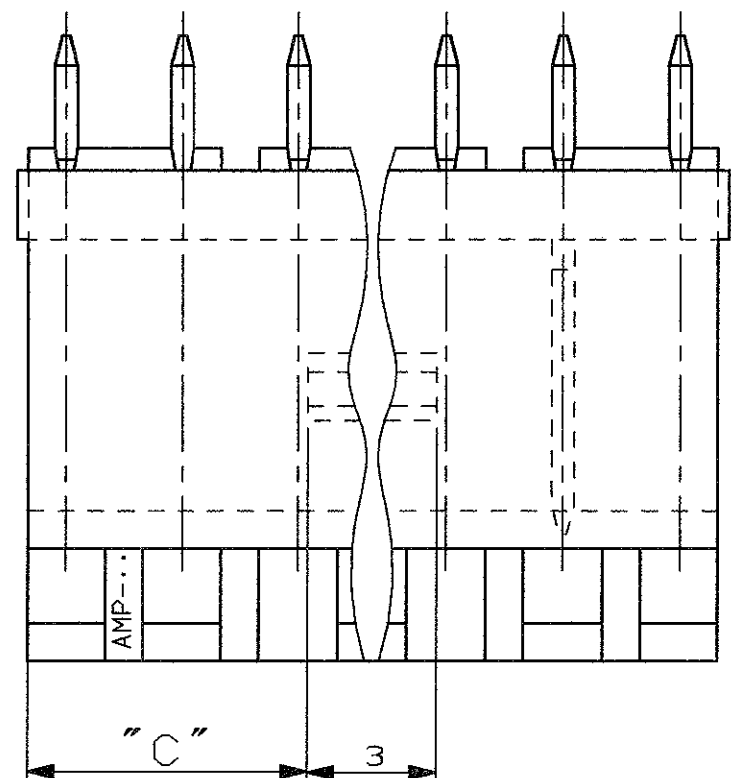
SCALA NON IMPEGNATIVA
(DO NOT SCALE)
DIMENSIONI IN mm
(DIMENSIONS IN)

METRIC

PROIEZIONE EUROPEA
(EUROPEAN PROJECTION)



DIMA DI FORATURA SU C.S.
(RECOMMENDED P.C.B. HOLE PATTERN)



- 1 OBSOLETO (OBSOLETE)
- 2 TOLLERANZA NON CUMULATIVA (NOT CUMULATIVE TOLERANCE)
- 3 ALLA BASE (AT BASE)
- 4 DIMENSIONE MISURATA ALLA BASE DEI POSTS (POSTS BASE DIMENSION)
- 5 -
- 6 MATERIALE CONTATTO: BRONZO PER LA VERSIONE STAGNATA (CONTACT MATERIAL: PH BRONZE FOR TIN PLTD VERSION ONLY)
- 7 MATERIALE CONTATTO: OTTONE PER LA VERSIONE DORATA (CONTACT MATERIAL: BRASS FOR GOLD PLTD VERSION)
- 8 MATERIALE BLOCCHETTO: POLICARBONATO CARICATO VETRO, COLORE VERDE (HOUSING MAT'L: POLYCARBONATE GLASS FIBER FILLED, GREEN COLOUR)
- 9 MATERIALE BLOCCHETTO: POLIESTERE CARICATO VETRO, UL 94-V0, COLORE NERO (HOUSING MAT'L: POLYESTER GLASS FIBER FILLED, UL 94-V0, BLACK COLOUR)
- 10 OBSOLETE PARTS: OBSOLETE CIS STREAMLINING PER D.RENAUD/D.SINISI

10 OBSOLETE	2	6.2	3.96	1.6	6	9	280609-1	7	8	280614-2	1	7	8	280614-4	1	7	8	280614-3
	12	45.9	43.59	21.4	6	9	280614-1	7	8	280613-2	1	7	8	280613-4	1	7	8	280613-3
	10	37.9	35.66	17.5	6	9	280613-1	7	8	280612-2	1	7	8	280612-4	1	7	8	280612-3
	8	30.0	27.74	13.5	6	9	280612-1	7	8	280611-2	1	7	8	280611-4	1	7	8	280611-3
	6	22.1	19.81	9.5	6	9	280611-1	7	8	280610-2	1	7	8	280610-4	1	7	8	280610-3
	4	14.2	11.89	5.6	6	9	280610-1	7	8	280609-2	1	7	8	280609-4	1	7	8	280609-3
	2	6.2	3.96	1.6	6	9	280609-1	7	8	280609-2	1	7	8	280609-4	1	7	8	280609-3
N° POS.	DIM. "A"	DIM. "B"	DIM. "C"				P.N. STAGNATO (TIN PLTD. VERSION)			DORATO 0.37µm AREA CONTATTO, STAGNATO NELLA ZONA A SALDARE (0.37µm GOLD PLTD ON CONTACT AREA, TIN PLTD ON SOLDER TAIL)				DORATO 0.76µm AREA CONTATTO, STAGNATO NELLA ZONA A SALDARE (0.76µm GOLD PLTD ON CONTACT AREA, TIN PLTD ON SOLDER TAIL)				DORATO 1.27µm AREA CONTATTO, STAGNATO NELLA ZONA A SALDARE (1.27µm GOLD PLTD ON CONTACT AREA, TIN PLTD ON SOLDER TAIL)

CUSTOMER DRAWING FOR REFERENCE ONLY / DISEGNO PER CLIENTE SOLO PER RIFERIMENTO

THIS DRAWING IS UNPUBLISHED / RELEASE FOR PUBLICATION 19

TOLLERANZE, SE NON DIVERSAMENTE SPECIFICATO (TOLERANCES, UNLESS OTHERWISE SPECIFIED)
± 0.4
ANGOLI (ANGLES) ± 2°

DIAM. ISOLANTE (INS. DIA. RANGE) - RANGO FILO (WIRE RANGE) - SCALA (SCALE) -

TE TE Connectivity

DIS. (DR.) 27-06-1991 C.CORDOLA / DESCRIZIONE (DESCRIPTION) AMP-MODU MODI STRAIGHT VERSION POST SUPPORT ASS'Y

REV. (REV. NO.)	R2	REVISIONI (REVISION RECORD)	ECO-11-005140	DIS. (DR.)	HMR	24MAY11	CONT. (CHK.)	R. Cantore	6-3-1991	LOC. (LOC.)	I A3	SIZE (SIZE)	C-280609	NUMERO (DWG NO.)	R2	REV. (REV. NO.)	1	FOGLIO (SHEET) DI (OF)	1
-----------------	----	-----------------------------	---------------	------------	-----	---------	--------------	------------	----------	-------------	------	-------------	----------	------------------	----	-----------------	---	------------------------	---

DISTRIBUZIONE (PRINT DIST.)