



Chipsmall Limited consists of a professional team with an average of over 10 year of expertise in the distribution of electronic components. Based in Hongkong, we have already established firm and mutual-benefit business relationships with customers from,Europe,America and south Asia,supplying obsolete and hard-to-find components to meet their specific needs.

With the principle of “Quality Parts,Customers Priority,Honest Operation,and Considerate Service”,our business mainly focus on the distribution of electronic components. Line cards we deal with include Microchip,ALPS,ROHM,Xilinx,Pulse,ON,Everlight and Freescale. Main products comprise IC,Modules,Potentiometer,IC Socket,Relay,Connector.Our parts cover such applications as commercial,industrial, and automotives areas.

We are looking forward to setting up business relationship with you and hope to provide you with the best service and solution. Let us make a better world for our industry!



Contact us

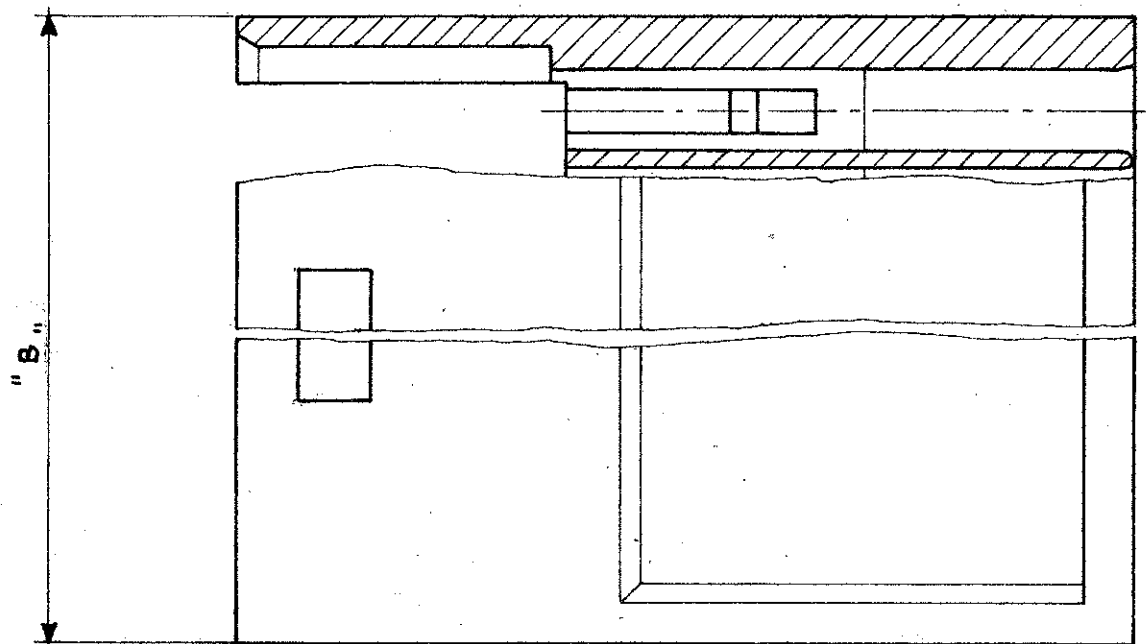
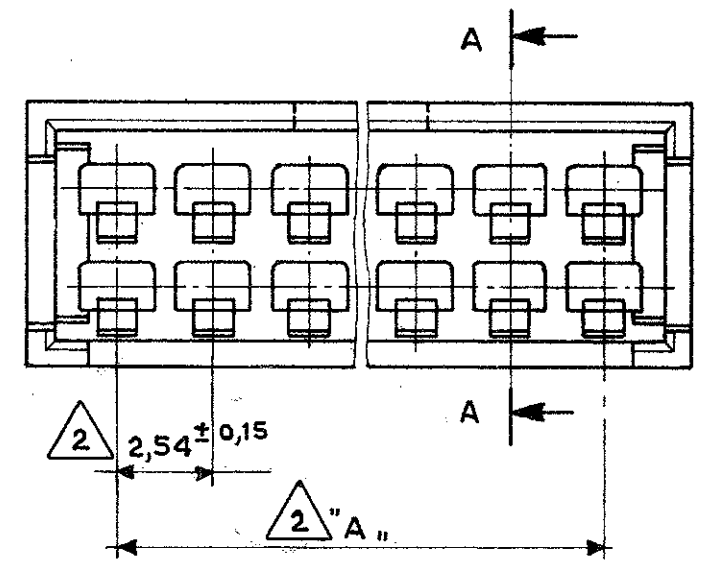
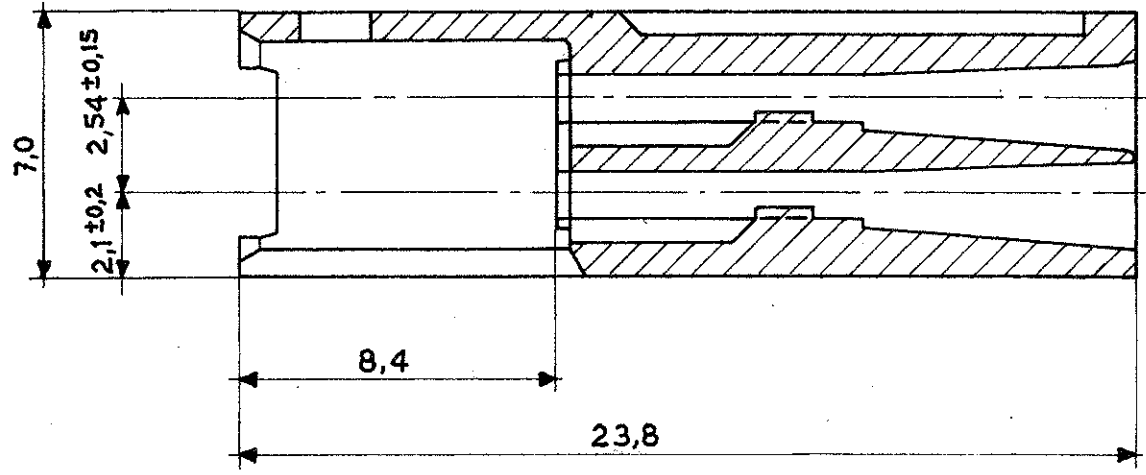
Tel: +86-755-8981 8866 Fax: +86-755-8427 6832

Email & Skype: info@chipsmall.com Web: www.chipsmall.com

Address: A1208, Overseas Decoration Building, #122 Zhenhua RD., Futian, Shenzhen, China



Sezione A-A
(Section)



Note: (Notes)

- 1 Noryl (UL94-V0) Colore Nero (Black colour).
- 2 Tolleranza non Cumulativa. (Non-Cumulative Tolerance).
- 3 OBSOLETO

N° Pos.	Part Number	Dim. "A"	Dim. "B"		Mat.
22	280642	53,34	58,2	3	1
15	280641	35,56	40,4	3	
12	280640	27,94	32,8		
9	280639	20,32	25,1	3	
8	280638	17,78	22,6		
4	280637	7,62	12,5		

FINITURA / COLORE (FINISH / COLOUR)		MATERIALE (MATERIAL)		NUMERO (PART NUMBER)	
CUSTOMER DWG. FOR REFERENCE ONLY			DISEGNO PER CLIENTE SOLO PER RIFERIMENTO		
THIS DRAWING IS UNPUBLISHED			RELEASE FOR PUBLICATION		
TOLLERANZE: SE NON DIVERSAMENTE SPECIFICATO (TOLERANCES UNLESS OTHERWISE SPECIFIED)		DIAM. ISOLANTE (INS. DIA. RANGE)		RANGO FILO (WIRE RANGE)	
± 0,3		—		—	
ANGOLI (ANGLES) ± 2°					
DIS. (DR) Bassano 29 th 9-86					
DESCRIZIONE (DESCRIPTION) AMP MODU II Pin Housing, Double Row, Crimped Snap-In.		LOC. SIZE		NUMERO (DWG NO) 280637	
CONV. (CHK) <i>[Signature]</i>		IA3 C (Master Dwg.)		REV. J1	
REV. J1		REVISED PER ECO-11-005294		RK 08APR11	
REV. J1		REVISIONI (REVISION RECORD)		DIS. DATA (DR) (DATE)	
DISTRIBUZIONE (PRINT DIST.)		APP. (APP)		FOGLIO (SHEET) 1 DI 1 (OF 1)	

DISTRIBUZIONE
(PRINT DIST.)