



Chipsmall Limited consists of a professional team with an average of over 10 year of expertise in the distribution of electronic components. Based in Hongkong, we have already established firm and mutual-benefit business relationships with customers from,Europe,America and south Asia,supplying obsolete and hard-to-find components to meet their specific needs.

With the principle of “Quality Parts,Customers Priority,Honest Operation,and Considerate Service”,our business mainly focus on the distribution of electronic components. Line cards we deal with include Microchip,ALPS,ROHM,Xilinx,Pulse,ON,Everlight and Freescale. Main products comprise IC,Modules,Potentiometer,IC Socket,Relay,Connector.Our parts cover such applications as commercial,industrial, and automotives areas.

We are looking forward to setting up business relationship with you and hope to provide you with the best service and solution. Let us make a better world for our industry!



## Contact us

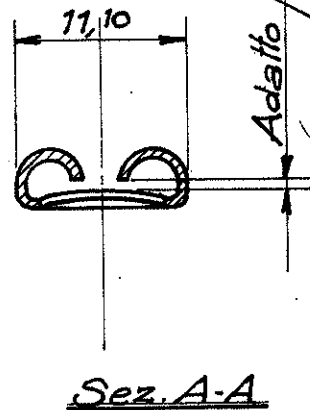
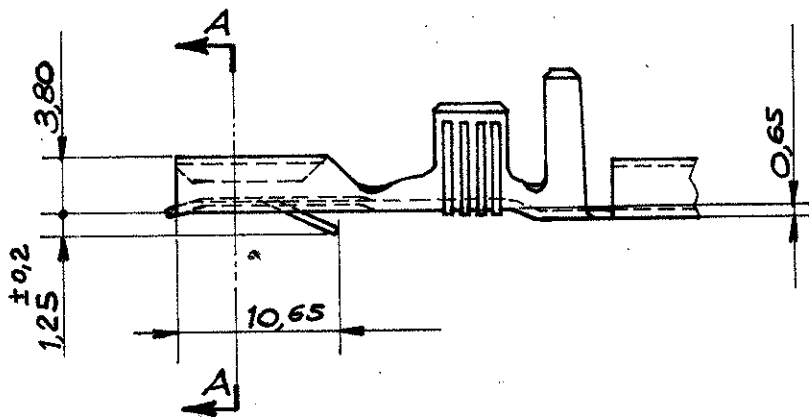
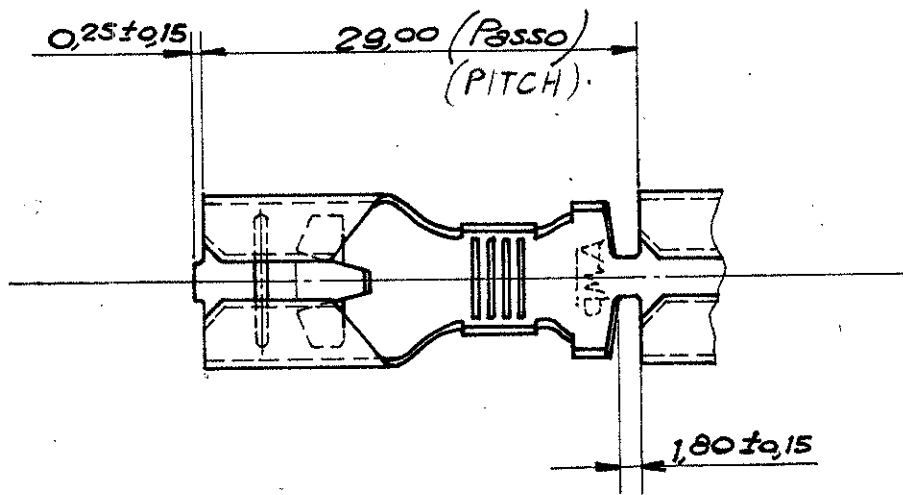
Tel: +86-755-8981 8866 Fax: +86-755-8427 6832

Email & Skype: info@chipsmall.com Web: www.chipsmall.com

Address: A1208, Overseas Decoration Building, #122 Zhenhua RD., Futian, Shenzhen, China



NUMBER  
280755



1 OBSOLETE PARTS: OBSOLETE CIS STREAMLINING PER D.RENAUD/D.SINISI

280755-4	BRONZO FOSF. STAGN. (TIN PL. PH. BR.)	
280755-3	BRONZO FOSF. (PHOSPH. BRONZE)	OBSOLETE 1
280755-2	OTTONE STAGNATO (TIN PL. BRASS)	
280755-1	OTTONE (BRASS)	OBSOLETE
NUMERO (PART. N.)	MAT./FINITURA (MAT./FINISH)	

PROIEZIONE AMERICANA  
(AMERICAN PROJECTION)

CUSTOMER COPY  
REFERENCE ONLY

MATERIAL AND FINISH

VEDERE TABELLA  
(SEE TABLE)



TE Connectivity

CLASS

B2	REVISED PER ECO-11-005140	RK	HMR	SMAY11
----	---------------------------	----	-----	--------

WIRE RANGE INSULATION  
6 ÷ 10 mm<sup>2</sup> | φ 5 ÷ 7 mm

TYPE

LTR	REVISION RECORD	CHK	DATE
-----	-----------------	-----	------

TOLERANCE EXCEPT AS NOTED

SCALE

LOC

NO

280755

R

B2

DR *Sopper* JULY 1976 DE

NAME

CHR *W. Monofeno* 29/24/76

.375 SERIES FASTIN-FASTON RECEPTACLE

DIMENSIONS IN MM. DO NOT SCALE PRINT

PRINT DIST