



Chipsmall Limited consists of a professional team with an average of over 10 year of expertise in the distribution of electronic components. Based in Hongkong, we have already established firm and mutual-benefit business relationships with customers from,Europe,America and south Asia,supplying obsolete and hard-to-find components to meet their specific needs.

With the principle of "Quality Parts,Customers Priority,Honest Operation,and Considerate Service",our business mainly focus on the distribution of electronic components. Line cards we deal with include Microchip,ALPS,ROHM,Xilinx,Pulse,ON,Everlight and Freescale. Main products comprise IC,Modules,Potentiometer,IC Socket,Relay,Connector.Our parts cover such applications as commercial,industrial, and automotives areas.

We are looking forward to setting up business relationship with you and hope to provide you with the best service and solution. Let us make a better world for our industry!



Contact us

Tel: +86-755-8981 8866 Fax: +86-755-8427 6832

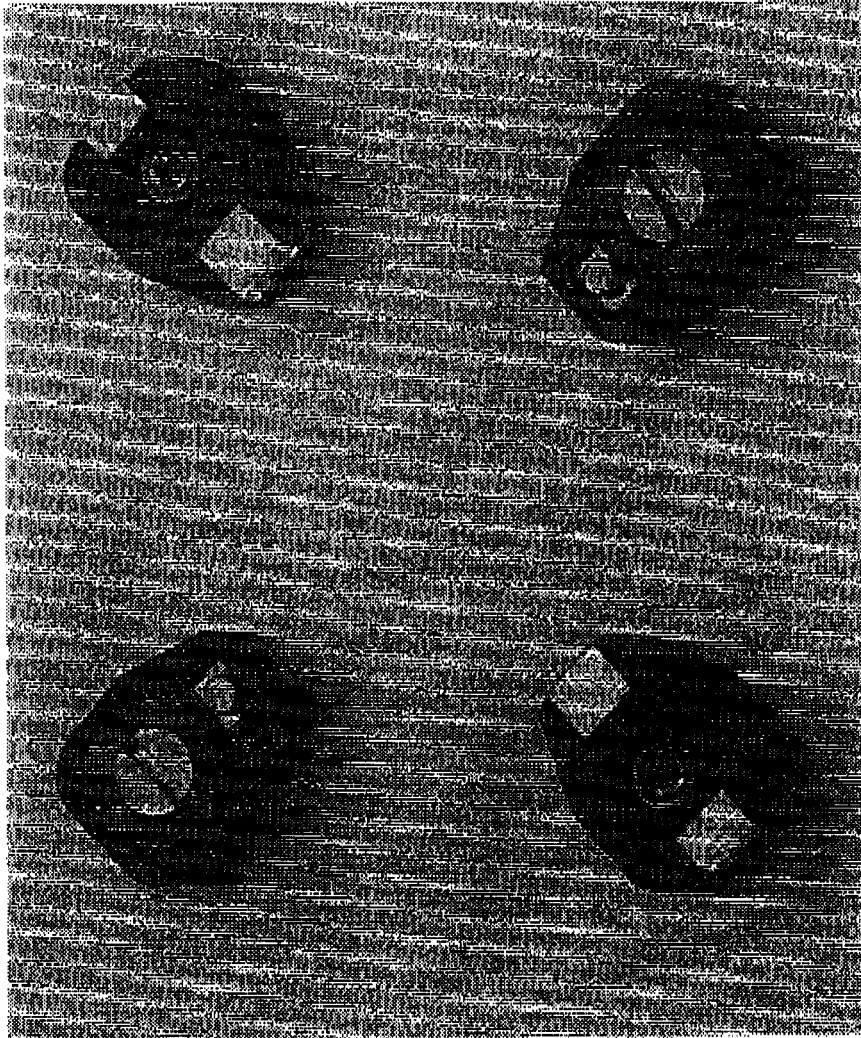
Email & Skype: info@chipsmall.com Web: www.chipsmall.com

Address: A1208, Overseas Decoration Building, #122 Zhenhua RD., Futian, Shenzhen, China



SMD Trimmer Capacitor Film Dielectric 2807S

Film Dielectric Trimmer Capacitor 7mm



Features:

True SMD design

High Q PTFE Teflon film dielectric (1000@10MHz)

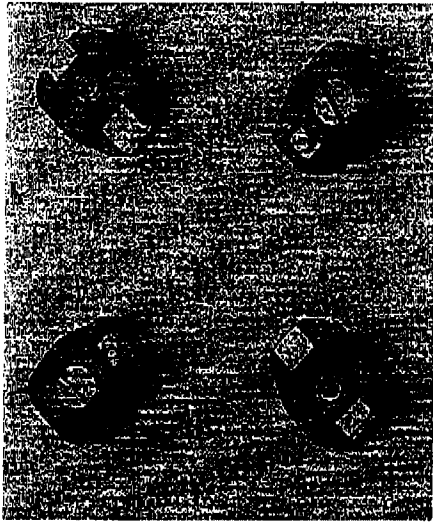
Available in bulk or 13" (33cm) reels

Wide -40 to 85°C operating range

SMD Trimmer Capacitor Film Dielectric

2807S

Film Dielectric Trimmer Capacitor
7mm



SPECIFICATIONS

Electrical

Insulation Resistance	: 100MΩ minimum (@100V)
Voltage rating	: 100V dc
Minimum Q	: 1000 @ 10MHz 300 @ 100 MHz
Temperature coefficient	: +/-100ppm/°C
Operating Temperature Range	: -40 to 85°C

Mechanical

Effective angle of rotation	: 360°
Operating Torque	: 20-30 g•cm
Ratio of maximum to minimum torque	: <3:1
Maximum soldering temperature:	: 260°C for 5 seconds

Features:

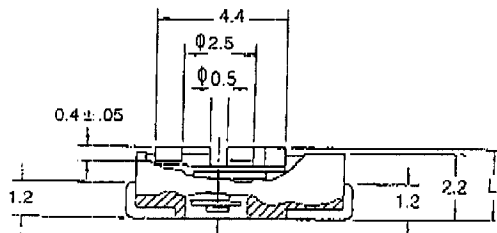
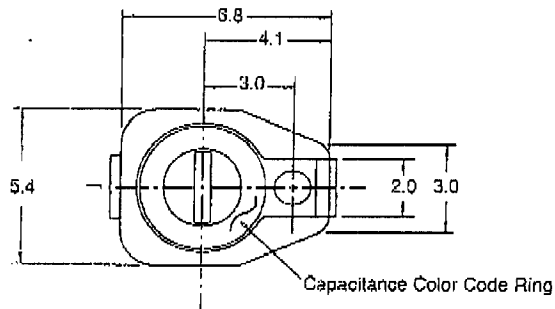
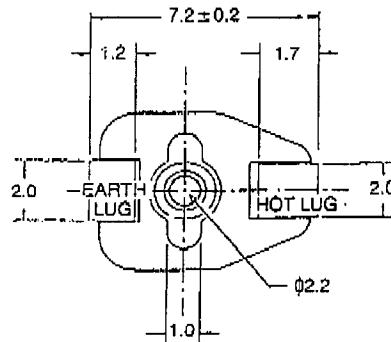
- True SMD design
- High Q PTFE Teflon film dielectric (1000@10MHz)
- Available in bulk or 13" (33cm) reels
- Wide -40 to 85°C operating range

Part Number

2807S **0R505NHA4** **TAA**

Model _____
 Capacitance range designator _____
 Packaging: TAA=3000 piece T&R
 BAA=1000 piece bulk

(dimensions in mm)



2807S

Surface Mount

ORDERING PART NUMBER

PHILIPS COMPONENTS ORDERING PART NUMBER	CAPACITANCE RANGE		L in. (mm)	CAPACITANCE COLOR CODE	PACKAGING
	min.	max.			
2807S0R505NHA4TAA	0.3 ± 0.2	5-0.5/+3	0.087 (2.2)	orange	Tape & reel
2807S0R505NHA4BAA	0.3 ± 0.2	5-0.5/+3	0.087 (2.2)	orange	Bulk
2807S0R610NHB4TAA	0.4 ± 0.2	10-1/+5	0.087 (2.2)	black	Tape & reel
2807S0R610NHB4BAA	0.4 ± 0.2	10-1/+5	0.087 (2.2)	black	Bulk
2807S0R815NHC4TAA	0.5 ± 0.3	15-0/+7	0.094 (2.4)	blue	Tape & reel
2807S0R815NHC4BAA	0.5 ± 0.3	15-0/+7	0.094 (2.4)	blue	Bulk
2807S1R020HND4TAA	0.7 ± 0.3	20-0/+10	0.100 (2.55)	green	Tape & reel
2807S1R020HND4BAA	0.7 ± 0.3	20-0/+10	0.100 (2.55)	green	Bulk