



Chipsmall Limited consists of a professional team with an average of over 10 year of expertise in the distribution of electronic components. Based in Hongkong, we have already established firm and mutual-benefit business relationships with customers from,Europe,America and south Asia,supplying obsolete and hard-to-find components to meet their specific needs.

With the principle of “Quality Parts,Customers Priority,Honest Operation,and Considerate Service”,our business mainly focus on the distribution of electronic components. Line cards we deal with include Microchip,ALPS,ROHM,Xilinx,Pulse,ON,Everlight and Freescale. Main products comprise IC,Modules,Potentiometer,IC Socket,Relay,Connector.Our parts cover such applications as commercial,industrial, and automotives areas.

We are looking forward to setting up business relationship with you and hope to provide you with the best service and solution. Let us make a better world for our industry!



Contact us

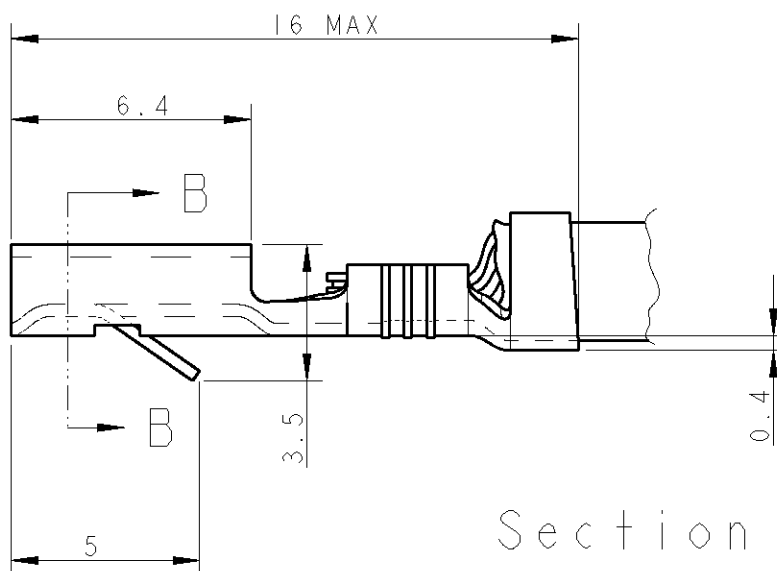
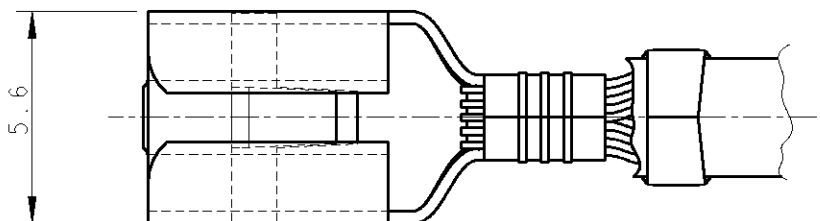
Tel: +86-755-8981 8866 Fax: +86-755-8427 6832

Email & Skype: info@chipsmall.com Web: www.chipsmall.com

Address: A1208, Overseas Decoration Building, #122 Zhenhua RD., Futian, Shenzhen, China



| LOC | DIST | REVISIONS | | | | | |
|-----|------|-----------|-----|------------------------------------|-----------|-----|------|
| | | P | LTR | DESCRIPTION | DATE | DWN | APVD |
| | | | M | REDRAWN ET00-0107-04 | 06MAY2004 | AV | CT |
| | | | M1 | CHANGED Q.TY PER REEL ET00-0050-05 | 21APR2005 | AV | GT |
| | | | M2 | REVISED PER ECO-10-000445 | 09JAN10 | KK | AEG |

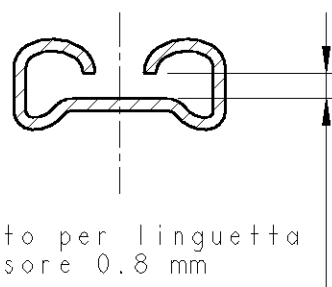


Section B-B

- ⚠ OTTONE P/N 280919-1
BRASS P/N ~~280919-1~~ **OBSELETE** ⚠
- OTTONE STAGNATO 280919-2
- TIN BRASS P/N 280919-2
- BRONZO FOSF. STAGNATO 280919-4
- TIN PHOS.BRZ. P/N 280919-4

WIRE RANGE 0.5-1.5 mm²
INSULATION 2.3-3.3 mm DIA.

- ⚠ **OBSELETE PARTS: OBSELETE CIS**
STREAMLINING PER D.RENAUD/D.SINISI



Adatto per linguetta
spessore 0.8 mm

2004

RELEASED FOR PUBLICATION

THIS DRAWING IS UNPUBLISHED.

© COPYRIGHT 2004 BY TYCO ELECTRONICS CORPORATION. ALL RIGHTS RESERVED.

| | | | | | | | | |
|----------------------------------------|------------------|--------------|------------------|---------------------------------------------------------|-----------|------------|---------------|------|
| DIMENSIONS: mm | DWN | A. Vecchia | 06MAY2004 | MATERIAL | ⚠ | FINISH | - | |
| | CHK | C. Tartari | 06MAY2004 | tyco Electronics AMP Italia S.p.A. 10093 Collegno TO | | | | |
| TOLERANCES UNLESS OTHERWISE SPECIFIED: | APVD | C. Tartari | 06MAY2004 | | | | | NAME |
| | 0 PLC ±0.4 | PRODUCT SPEC | 108-20020 | SIZE | CAGE CODE | DRAWING NO | RESTRICTED TO | |
| 1 PLC ± | APPLICATION SPEC | - | A4 | 00779 | C=280919 | - | | |
| 2 PLC ± | WEIGHT | - | CUSTOMER DRAWING | | | | SCALE | 5:1 |
| 3 PLC ± | | | SHEET | | 1 | OF | 1 | |
| 4 PLC ± | | | REV | | M2 | | | |
| ANGLES ±1° | | | | | | | | |