



Chipsmall Limited consists of a professional team with an average of over 10 year of expertise in the distribution of electronic components. Based in Hongkong, we have already established firm and mutual-benefit business relationships with customers from,Europe,America and south Asia,supplying obsolete and hard-to-find components to meet their specific needs.

With the principle of “Quality Parts,Customers Priority,Honest Operation,and Considerate Service”,our business mainly focus on the distribution of electronic components. Line cards we deal with include Microchip,ALPS,ROHM,Xilinx,Pulse,ON,Everlight and Freescale. Main products comprise IC,Modules,Potentiometer,IC Socket,Relay,Connector.Our parts cover such applications as commercial,industrial, and automotives areas.

We are looking forward to setting up business relationship with you and hope to provide you with the best service and solution. Let us make a better world for our industry!



Contact us

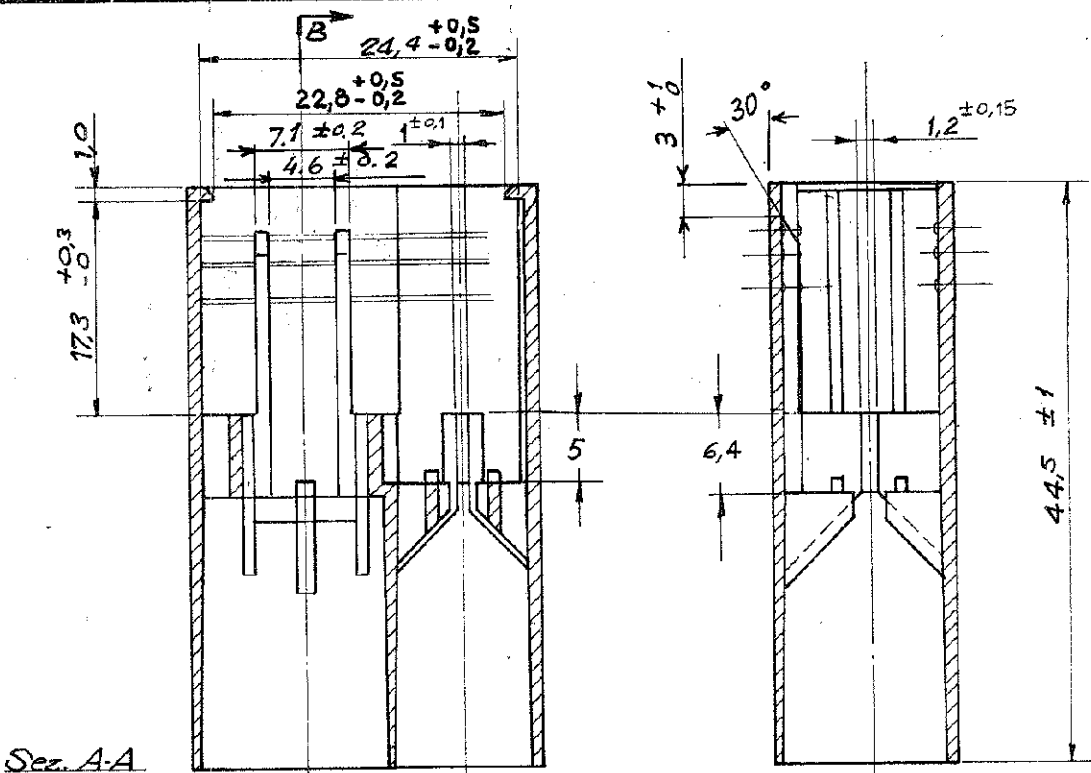
Tel: +86-755-8981 8866 Fax: +86-755-8427 6832

Email & Skype: info@chipsmall.com Web: www.chipsmall.com

Address: A1208, Overseas Decoration Building, #122 Zhenhua RD., Futian, Shenzhen, China

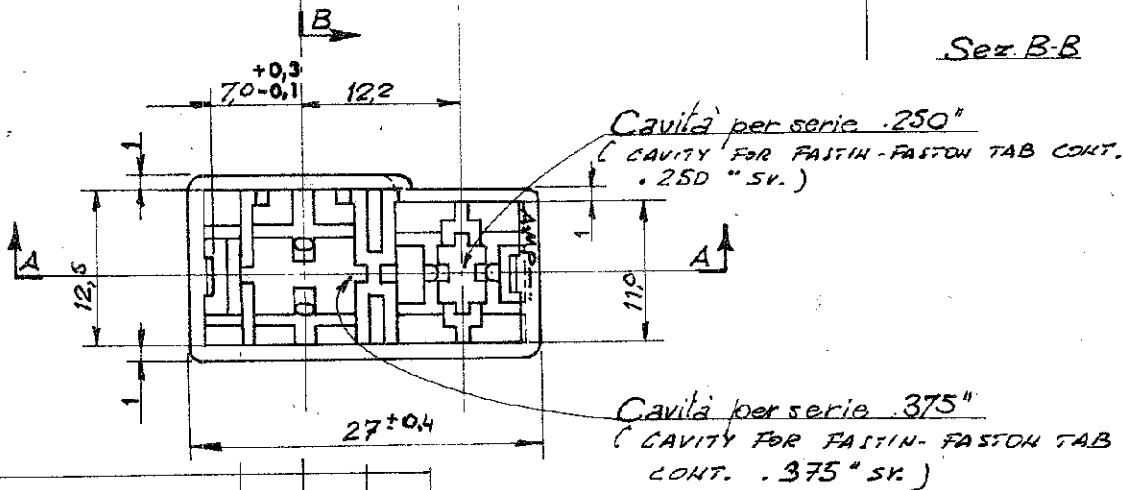


NUMBER
C-280924-



Sec. A-A

Sec. B-B



DIMENSIONS IN MM. DO NOT SCALE PRINT

F	AGGIORNATO (AGG. NERVAT.)	TC	7 AGO. '92
E	ADDED RED VERSION (.../1)	S. Spavanti	11-09/86
D	AGGIORNATO	S. Spavanti	1/3/85
C	Revisionato	EB Cf.	6-6/83
B	ADDED BLACK VERSION (.../5)	S. Spavanti	22/5/80
A	in Produzione	Spavanti	24-3-78
2	AGGIORNATO	S. Spavanti	9/11/77
1	ERA IA-77-5335	S. Spavanti	20/10/77

© 1977 BY AMP INCORPORATED. ALL RIGHTS RESERVED. AMP PRODUCTS COVERED BY PATENTS AND OR PATENTS PENDING.

CUSTOMER COPY REFERENCE ONLY

MATERIAL AND FINISH
POLIAMMIDE 6/6
280924-0 NATURAL
280924-5 BLACK
280924-1 RED

AMP
AMP ITALIA
VIA CERVI 15
COLLEGNO (TORINO)

CLASS
TYPE

TOLERANCE EXCEPT AS NOTED
± 0.3% ± 10°
SCALE 2:1
LOC I A NO C-280924 REF. F

NAME BLOCCHETTO 2 VIE A"11, FASTIN-FASTON PER TERMINALE MASCHIO SERIE .250" E .375"