



Chipsmall Limited consists of a professional team with an average of over 10 year of expertise in the distribution of electronic components. Based in Hongkong, we have already established firm and mutual-benefit business relationships with customers from,Europe,America and south Asia,supplying obsolete and hard-to-find components to meet their specific needs.

With the principle of “Quality Parts,Customers Priority,Honest Operation,and Considerate Service”,our business mainly focus on the distribution of electronic components. Line cards we deal with include Microchip,ALPS,ROHM,Xilinx,Pulse,ON,Everlight and Freescale. Main products comprise IC,Modules,Potentiometer,IC Socket,Relay,Connector.Our parts cover such applications as commercial,industrial, and automotives areas.

We are looking forward to setting up business relationship with you and hope to provide you with the best service and solution. Let us make a better world for our industry!



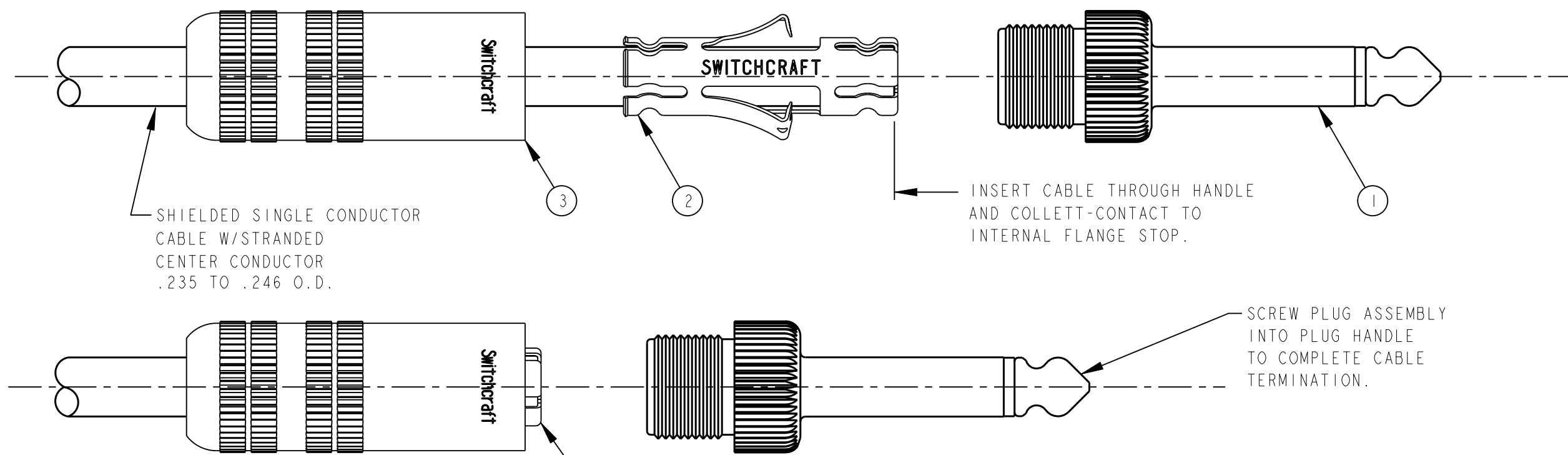
Contact us

Tel: +86-755-8981 8866 Fax: +86-755-8427 6832

Email & Skype: info@chipsmall.com Web: www.chipsmall.com

Address: A1208, Overseas Decoration Building, #122 Zhenhua RD., Futian, Shenzhen, China



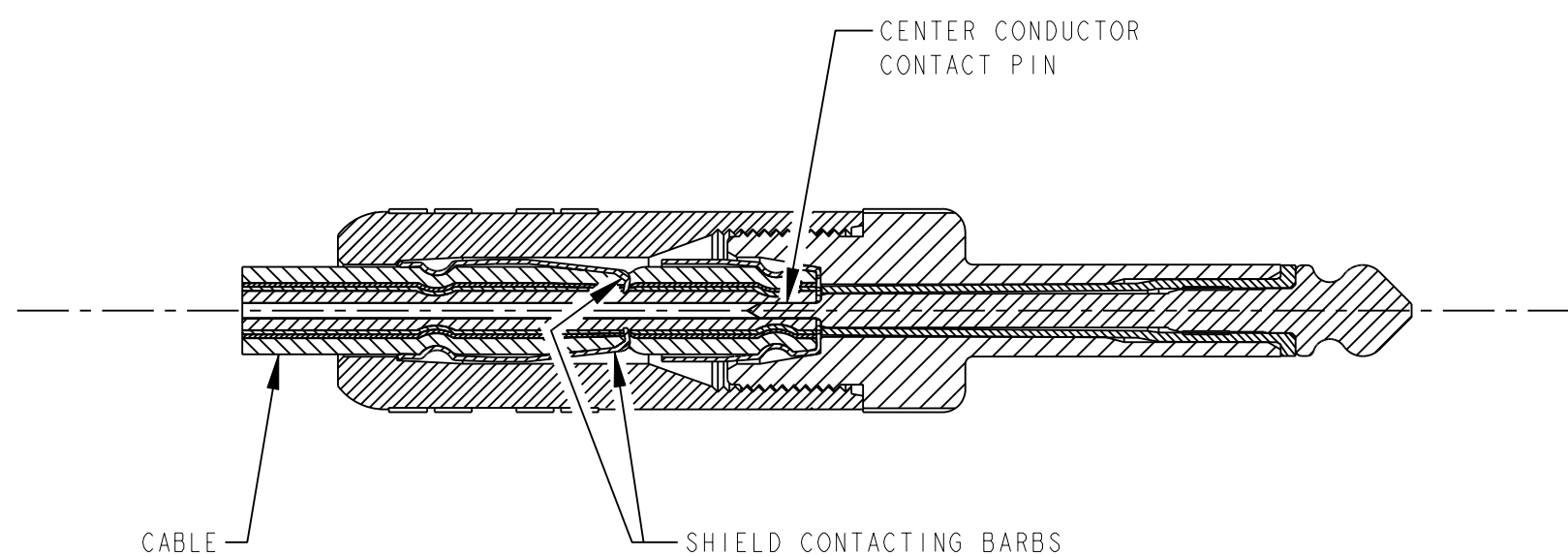
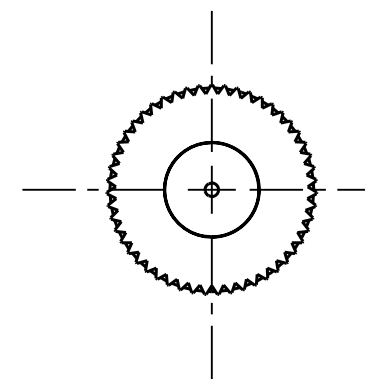
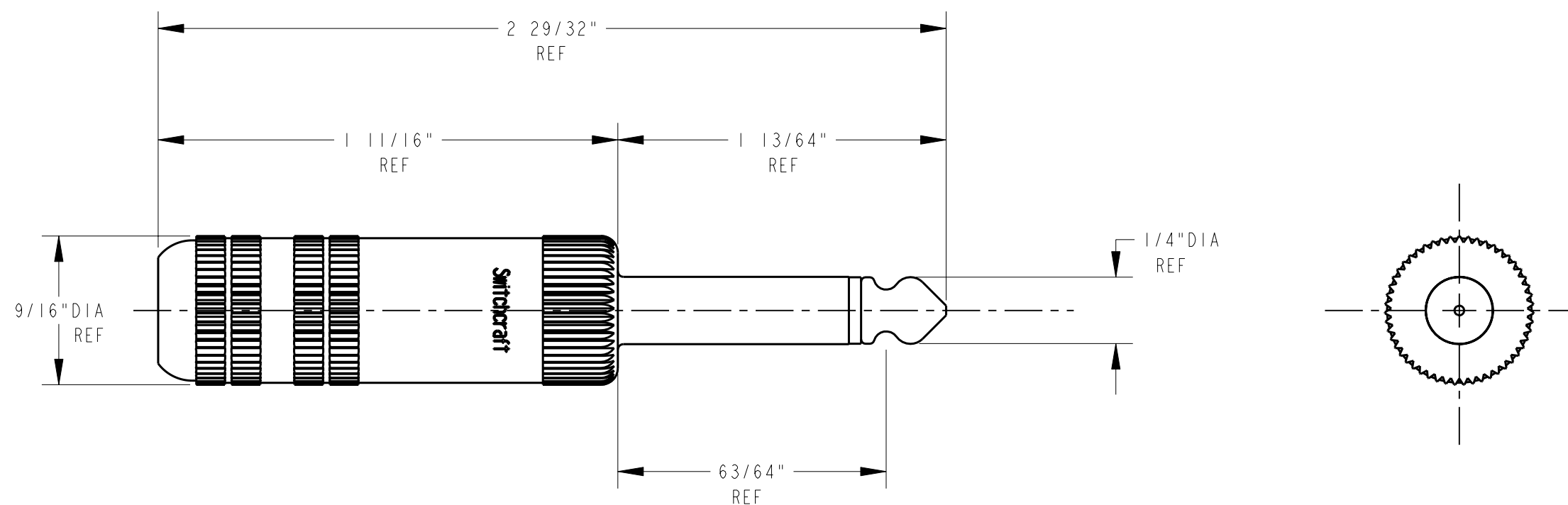
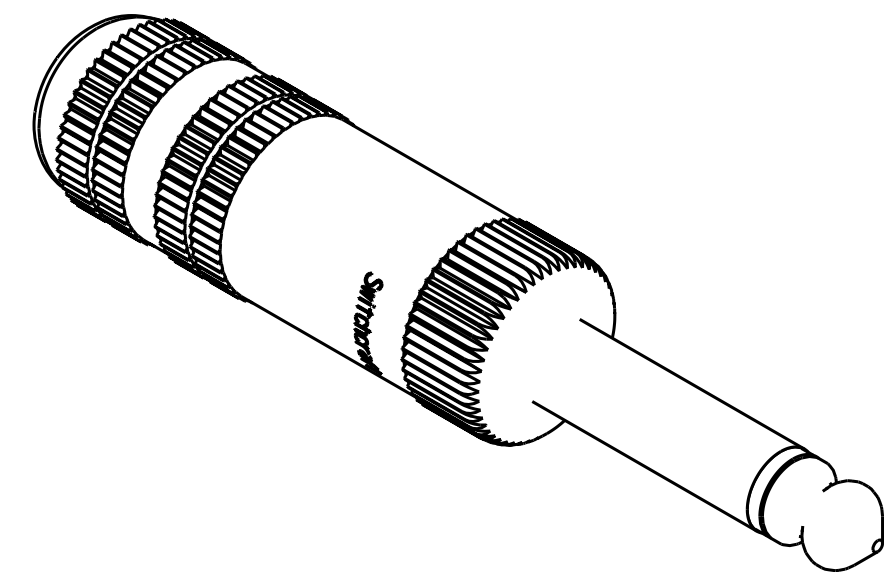


SHIELDED SINGLE CONDUCTOR
CABLE W/STRANDED
CENTER CONDUCTOR
.235 TO .246 O.D.

INSERT CABLE THROUGH HANDLE
AND COLLETT-CONTACT TO
INTERNAL FLANGE STOP.

SCREW PLUG ASSEMBLY
INTO PLUG HANDLE
TO COMPLETE CABLE
TERMINATION.

INSERT COLLETT-CONTACT
INTO PLUG HANDLE.



3	HANDLE, PLUG	1
2	COLLETT CONTACT	1
1	PLUG ASSEMBLY	1
ITEM	DESCRIPTION	REQ'D
STOCK LIST		

MATERIALS:

1. TIP: BRASS - NICKEL PLATED.
2. PLUG BODY: BRASS - NICKEL PLATED.
3. HANDLE: BRASS - NICKEL PLATED.
4. COLLETT/CONTACT: BRASS.
5. TIP & BODY INSULATOR: GLASS REINFORCED POLYESTER

CUSTOMER DRAWING

CAD/CAM DWG. NO.
281DRY_CD
SHEET 1 OF 1

★ STAR SYMBOL DENOTES CRITICAL DIMENSION. SEE S/C ENGINEERING STANDARD ES-0001		THIS DRAWING DESCRIBES A DESIGN CONSIDERED PROPRIETARY IN NATURE, DEVELOPED AND MANUFACTURED BY SWITCHCRAFT INC. AND IS RELEASED ON A CONFIDENTIAL BASIS FOR IDENTIFICATION PURPOSE ONLY.				
UNLESS OTHERWISE SPECIFIED		SIZE	WIDTH	MULT	LBS./M	TEMPER
1. ALL DIMENSIONS IN INCHES TWO PLACE DECIMAL ±.01 THREE PLACE DECIMAL ±.005 FRACTIONAL DIMENSIONS ±1/64 ANGLES ±1/2° ALL DIA'S CONCENTRIC WITHIN .005 T.I.R.		FINISH		MATERIAL		
2. REMOVE ALL BURRS		SPEC. NO.		SPEC. NO.		
3. MAKE NO DIMENSIONAL ALLOWANCES FOR APPLIED FINISHES, I.E., PLATING, PAINTING, ETC.		FIRST USED ON		SCALE		
4. HOLES ON THE SAME CENTERLINE MUST BE ALIGNED WITHIN ±.002		DATE DRAWN	BY	CHK'D	APP'D	
DO NOT SCALE DRAWING		12-19-94	ES	ES	TJO	
REVISIONS		NAME		PART NO.		
		PLUG, 281, SOLDERLESS		281DRY		
				ISSUE		
				A		