



Chipsmall Limited consists of a professional team with an average of over 10 year of expertise in the distribution of electronic components. Based in Hongkong, we have already established firm and mutual-benefit business relationships with customers from,Europe,America and south Asia,supplying obsolete and hard-to-find components to meet their specific needs.

With the principle of “Quality Parts,Customers Priority,Honest Operation,and Considerate Service”,our business mainly focus on the distribution of electronic components. Line cards we deal with include Microchip,ALPS,ROHM,Xilinx,Pulse,ON,Everlight and Freescale. Main products comprise IC,Modules,Potentiometer,IC Socket,Relay,Connector.Our parts cover such applications as commercial,industrial, and automotives areas.

We are looking forward to setting up business relationship with you and hope to provide you with the best service and solution. Let us make a better world for our industry!



Contact us

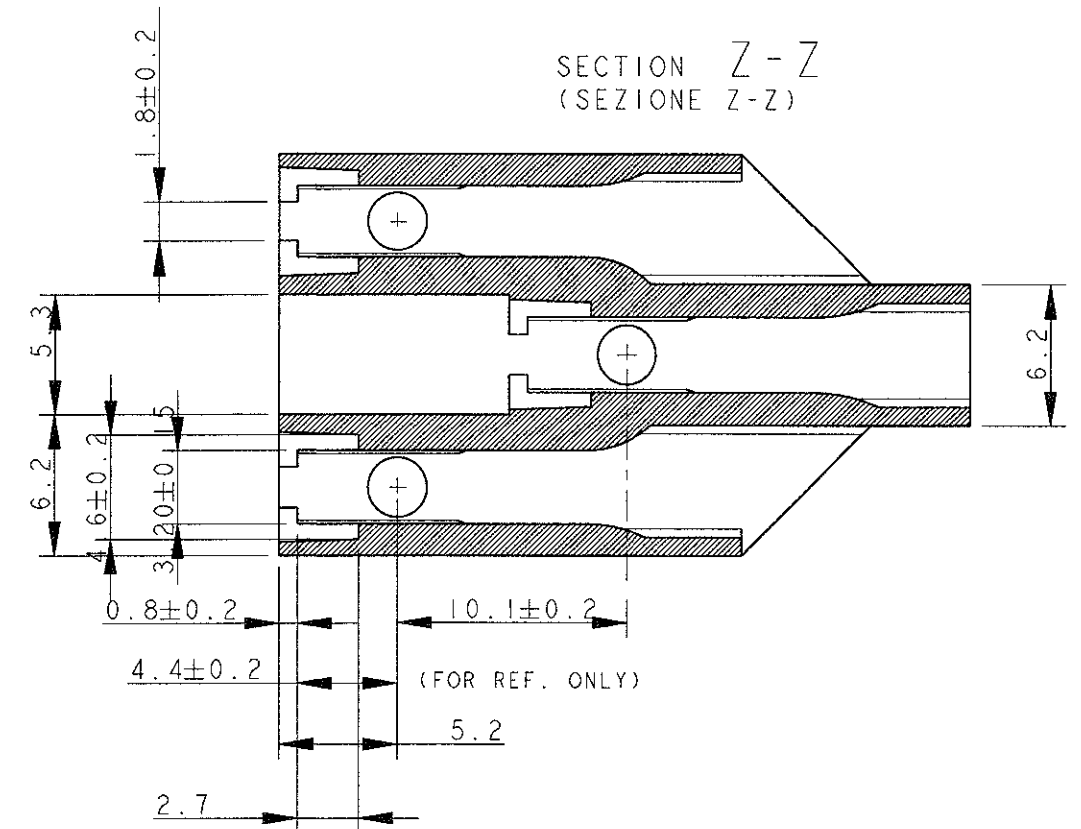
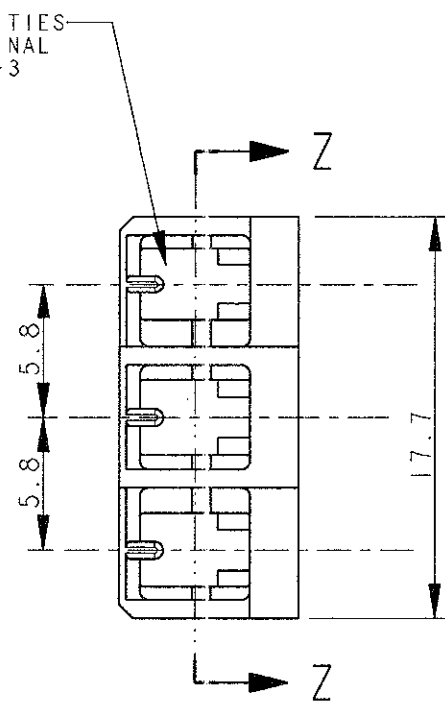
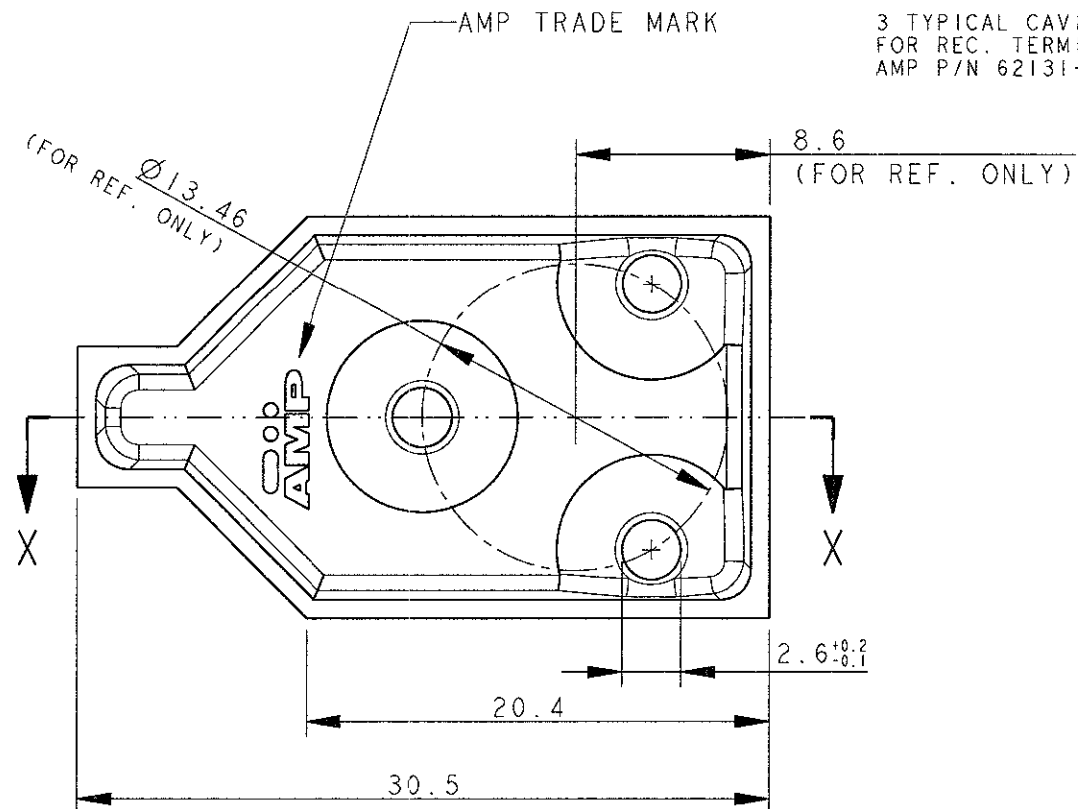
Tel: +86-755-8981 8866 Fax: +86-755-8427 6832

Email & Skype: info@chipsmall.com Web: www.chipsmall.com

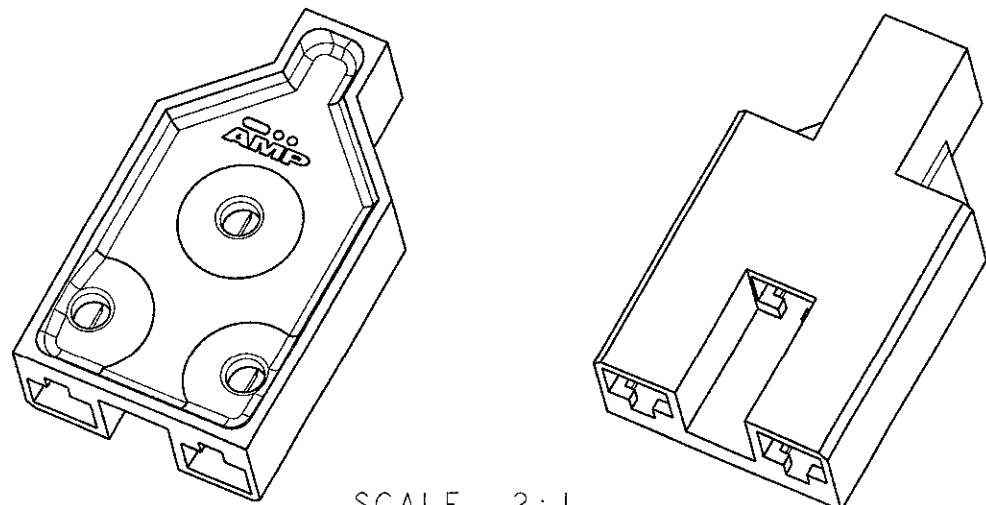
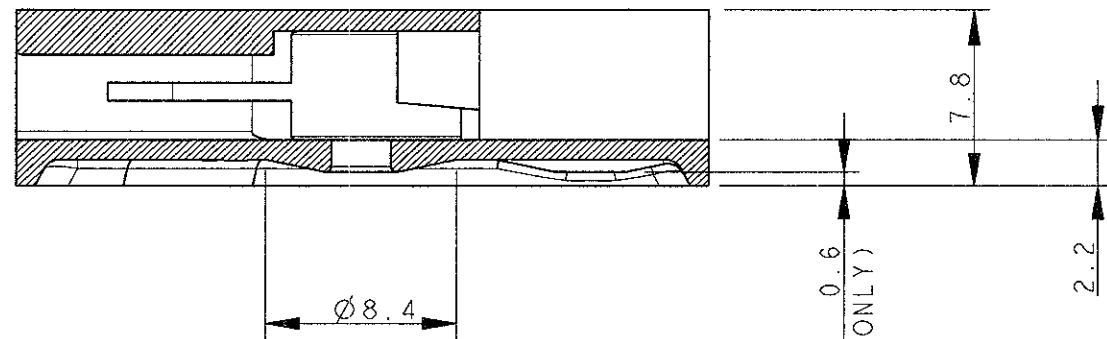
Address: A1208, Overseas Decoration Building, #122 Zhenhua RD., Futian, Shenzhen, China



REVISIONS REVISIONI					
P	LTR REV	DESCRIPTION DESCRIZIONE	DATE DATA	DWN DIS.	APVD APP.
J		ET00-0070-99, ADDED NEW P/N AND REDRAWN	22 FEB 01	H. Y.	C. T.
S		ET00-0081-01, ADDED NOTE ON DASH 4	07 MAR 01	H. Y.	C. T.
T		ET00-0160-02, SUPERSEDED 281006-2 AND -3	20 SEP 2002	H. Y.	C. T.
U		ET00-0174-02, SUPERSEDED DASH 0	18 DEC 2002	H. Y.	C. T.



SECTION X-X
 (SEZIONE X-X)



SCALE 2:1
 (SCALA 2:1)

UL & CSA APPROVED	NATURAL	PBT UNFILLED, "ARNITE T08-200" BY DSM	281006-4	S
NOTE	COLOUR (COLORE)	MATERIAL (MATERIALE)	P/N	REV.

THIS DRAWING IS A CONTROLLED DOCUMENT FOR TYCO ELECTRONICS CORPORATION
 IT IS SUBJECT TO CHANGE AND THE CONTROLLING ENGINEERING ORGANIZATION
 SHOULD BE CONTACTED FOR THE LATEST REVISION.
 QUESTO DISEGNO È UN DOCUMENTO DI PROPRIETÀ E RESPONSABILITÀ DELL'
 AMP INCORPORATED. È SOGGETTO A VARIAZIONI. PER OTTENERE L'ULTIMA
 REVISIONE DEL DISEGNO CONTATTARE L'UFFICIO TECNICO RESPONSABILE.

DIMENSIONS: DIMENSIONI: mm	TOLERANCES UNLESS OTHERWISE SPECIFIED: TOLLERANZE, SE NON DIVERSAMENTE SPECIFICATO
	0 PLC/DEC ±0.5 1 PLC/DEC ±0.3 2 PLC/DEC ± 3 PLC/DEC ± 4 PLC/DEC ± ANGLES/ANGOLI ±2°

MATERIAL See table
 (Vedi tabella):
 FINISH FINITURA -

DWN/DIS. 14 FEB 1999 H. YAALI	tyco Electronics AMP Italia S.p.A Corso F.lli Cervi, 15 COLLEGNO (TO)
CHK/CONT. 14 FEB 1999 C. TARTARI	
APVD/APP. -	NAME NOME
PRODUCT SPEC SPEC DI PRODOTTO 108-20033	CLUSTER BLOCK HOUSING .090 DIA
APPLICATION SPEC SPEC DI APPLICAZIONE	SIZE A3
WEIGHT PESO -	CAGE CODE 00779
	DRAWING NO. NUMERO C-281006
	RESTRICTED TO -

DISEGNO PER CLIENTE SOLO PER RIFERIMENTO		SCALE SCALA 3:1	SHEET FOGLIO	OF DI	REV U
--	--	-----------------	--------------	-------	-------