



Chipsmall Limited consists of a professional team with an average of over 10 year of expertise in the distribution of electronic components. Based in Hongkong, we have already established firm and mutual-benefit business relationships with customers from,Europe,America and south Asia,supplying obsolete and hard-to-find components to meet their specific needs.

With the principle of “Quality Parts,Customers Priority,Honest Operation,and Considerate Service”,our business mainly focus on the distribution of electronic components. Line cards we deal with include Microchip,ALPS,ROHM,Xilinx,Pulse,ON,Everlight and Freescale. Main products comprise IC,Modules,Potentiometer,IC Socket,Relay,Connector.Our parts cover such applications as commercial,industrial, and automotives areas.

We are looking forward to setting up business relationship with you and hope to provide you with the best service and solution. Let us make a better world for our industry!



Contact us

Tel: +86-755-8981 8866 Fax: +86-755-8427 6832

Email & Skype: info@chipsmall.com Web: www.chipsmall.com

Address: A1208, Overseas Decoration Building, #122 Zhenhua RD., Futian, Shenzhen, China



MCR-C-UI-UI-DCI

Order No.: 2810913



<http://eshop.phoenixcontact.de/phoenix/treeViewClick.do?UID=2810913>

MCR 3-way isolating amplifier, with configurable I/O, for the electrical isolation of analog signals, with GL approval, preconfigured. For information about permissible signal combinations, please refer to the data sheet.

Commercial data	
Pack	1 pcs.
Customs tariff	85437090
Weight/Piece	0.1426 KG
Catalog page information	Page 360 (IF-2009)

Product notes

WEEE/RoHS-compliant since:
06/30/2006



<http://www.download.phoenixcontact.com>
Please note that the data given here has been taken from the online catalog. For comprehensive information and data, please refer to the user documentation. The General Terms and Conditions of Use apply to Internet downloads.

Product description

The MCR-C-UI-UI(-450)-DCI(-NC) 3-way isolation amplifier is used to electrically isolate and convert analog signals. The device provides electrical isolation of analog standard signals. The module input and output are supplied via integrated DC/DC converters, which are electrically isolated from the mains (3-way isolation).

The required auxiliary voltage is indicated via a green power LED. This clearly indicates whether or not auxiliary voltage is available.

The MCR module ensures the safe decoupling of a sensor circuit from the evaluation circuit and also prevents the negative effects of several sensor circuits connected with one another. 3-way isolation enables the universal use of modules both locally and close to the control system for signal conversion and electrical isolation, as well as on the transmission path for jumpering high load resistors.

Signals are converted by an inductive transmission method. In addition, a filter connected downstream of the transmitter reduces possible interference.

Technical data

Input data

Configurable/programmable	Yes, preconfigured
Voltage input signal	0 V ... 10 V (please indicate any different setting when ordering)
Max. input voltage	30 V
Max. input current	50 mA
Input resistance of voltage input	1 M Ω
Input resistance current input	50 Ω

Output data

Configurable/programmable	Yes, preconfigured
Voltage output signal	0 V ... 10 V (please indicate any different setting when ordering)
Max. output voltage	15 V
Max. output current	30 mA
Load/output load voltage output	≥ 10 k Ω
Load/output load current output	≤ 500 Ω

Power supply

Range of supply voltages	18 V DC ... 30 V DC
Max. current consumption	< 30 mA (without load)

Connection data

Type of connection	Pluggable screw connection
Conductor cross section solid min.	0.2 mm ²
Conductor cross section solid max.	2.5 mm ²
Conductor cross section stranded min.	0.2 mm ²
Conductor cross section stranded max.	2.5 mm ²
Conductor cross section AWG/kcmil min.	24
Conductor cross section AWG/kcmil max	14
Stripping length	8 mm
Screw thread	M3
Connection method	COMBICON

General data

No. of channels	1
Width	17.5 mm
Height	99 mm
Depth	114.5 mm
Transmission error, max.	≤ 0.1 % (of end value)
Maximum temperature coefficient	0.0075 %/K
Limit frequency (3 dB)	30 Hz
Alignment zero	± 2 %
Alignment span	± 2 %
Step response (10-90%)	11 ms
Protective circuitry	Transient protection
Ambient temperature (operation)	-20 °C ... 65 °C
Degree of protection	IP20
Electromagnetic compatibility	Conformance with EMC directive 2004/108/EC
Emitted interference	EN 61000-6-4
Immunity to interference	EN 61000-6-2:2005
Color	green
Housing material	Polyamide PA non-reinforced
Mounting position	Any
Conformity	CE compliant
UL, USA / Canada	Class I, Div. 2, Groups A, B, C, D or non-hazardous locations
GL	Germanischer Lloyd

Certificates / Approvals



Certification CUL, GL, GOST, UL

Certification Ex: CUL-EX LIS, UL-EX LIS

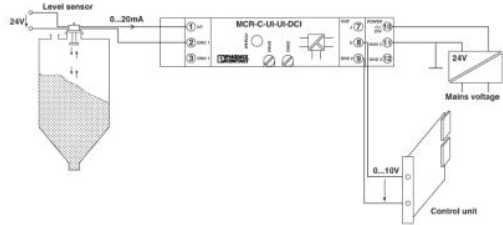
Configuration options

Input signal	<p>0...20 mA [IN01] 4...20 mA [IN02] 0...10 V [IN03] 0...5 V [IN05] 1...5 V [IN06] -60...+60 mV [IN13] -100...+100 mV [IN14] -200...+200 mV [IN15] -300...+300 mV [IN16] -500...+500 mV [IN17] -1...+1 V [IN18] -2...+2 V [IN19] -2.5...+2.5 V [IN20] -5...+5 V [IN21] -10...+10 V [IN22] -20...+20 V [IN23] 0...60 mV [IN24] 0...100 mV [IN25] 0...200 mV [IN26] 0...300 mV [IN27] 0...500 mV [IN28] 0...1 V [IN29] 0...2 V [IN30] 0...2.5 V [IN31] 0...20 V [IN32] -5...+5 mA [IN33] -10...+10 mA [IN34] -20...+20 mA [IN35] 0...5 mA [IN36] 0...10 mA [IN37]</p>
Output signal	<p>0...20 mA [OUT01] 4...20 mA [OUT02] 0...10 V [OUT03] 0...5 V [OUT05] 1...5 V [OUT06] -5...+5 V [OUT13] -10...+10 V [OUT14] 0...5 mA [OUT15] 0...10 mA [OUT16]</p>
Plant calibration certificate	<p>No plant calibration certific. [NONE] Certificate without test data [YES] Certificate with test data [YESPLUS]</p>

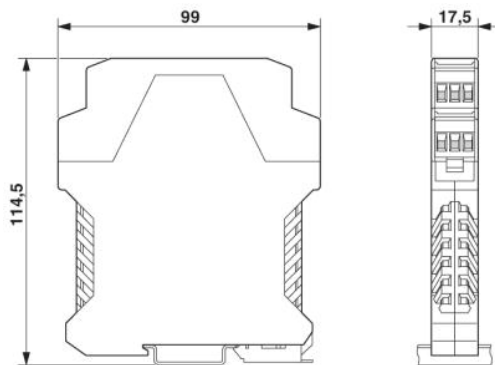
Diagrams/Drawings

Application drawing

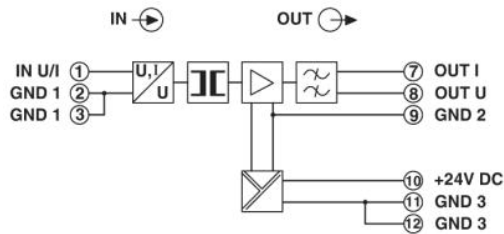
Application example: Level measurement



Dimensioned drawing



Circuit diagram



Approbationslogos (EX-Bereich)



Address

PHOENIX CONTACT Inc., USA
586 Fulling Mill Road
Middletown, PA 17057, USA
Phone (800) 888-7388
Fax (717) 944-1625
<http://www.phoenixcon.com>



© 2010 Phoenix Contact
Technical modifications reserved;