



Chipsmall Limited consists of a professional team with an average of over 10 year of expertise in the distribution of electronic components. Based in Hongkong, we have already established firm and mutual-benefit business relationships with customers from,Europe,America and south Asia,supplying obsolete and hard-to-find components to meet their specific needs.

With the principle of “Quality Parts,Customers Priority,Honest Operation,and Considerate Service”,our business mainly focus on the distribution of electronic components. Line cards we deal with include Microchip,ALPS,ROHM,Xilinx,Pulse,ON,Everlight and Freescale. Main products comprise IC,Modules,Potentiometer,IC Socket,Relay,Connector.Our parts cover such applications as commercial,industrial, and automotives areas.

We are looking forward to setting up business relationship with you and hope to provide you with the best service and solution. Let us make a better world for our industry!



Contact us

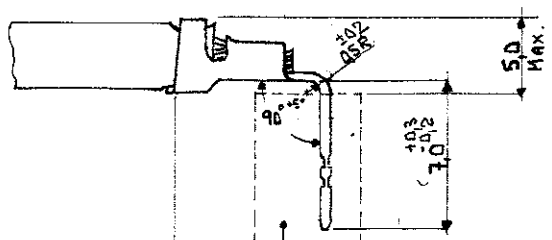
Tel: +86-755-8981 8866 Fax: +86-755-8427 6832

Email & Skype: info@chipsmall.com Web: www.chipsmall.com

Address: A1208, Overseas Decoration Building, #122 Zhenhua RD., Futian, Shenzhen, China

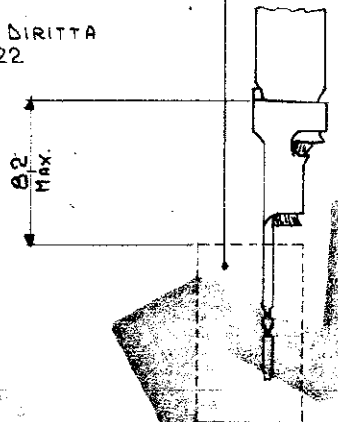


VERSIONE PIEGATA A 90°
 RICAVATA PIEGANDO CON
 APPLICATORE IL P.N. 281b22-2



CAVITA' SECONDA DISEGNO IA-84-5167

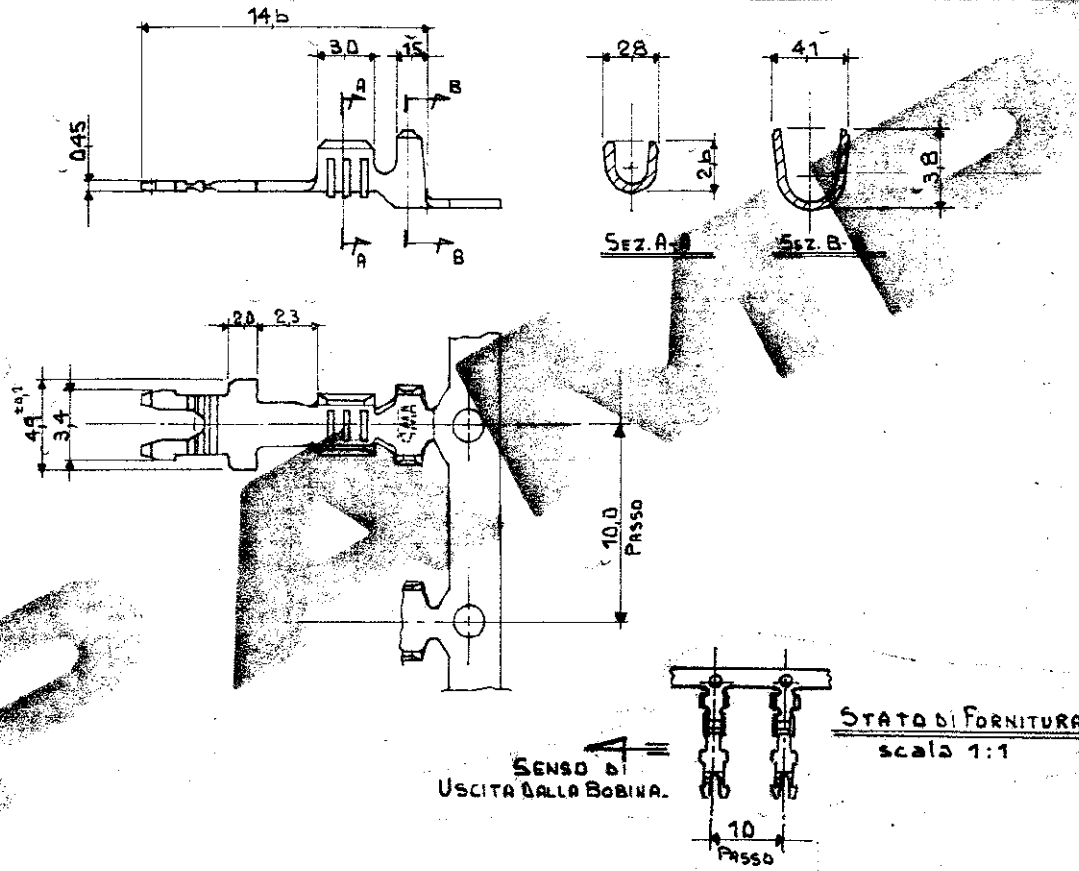
VERSIONE DIRITTA
 P.N. 281b22



SCALA NON IMPEGNATIVA
 (NO SCALE)
 DIMENSIONI IN mm
 DIMENSIONS IN mm

METRIC

PROIEZIONE EUROPEA
 (EUROPEAN PROJECTION)



SENZA USCITA DALLA BOBINA.

STATO DI FORNITURA
 scala 1:1

STAGNATO	OTTONE	281b22-2
FINITURA / COLORE (FINISH / COLOUR)	MATERIALE (MATERIAL)	NUMERO (PART NUMBER)
CUSTOMER DWG. DISEGNO PER CLIENTE FOR REFERENCE ONLY SOLO PER RIFERIMENTO		
THIS DRAWING IS UNPUBLISHED - RELEASE FOR PUBLICATION 13		
© COPYRIGHT 1984 BY AMP CORPORATION, HUNTSVILLE, AL. ALL INTERNATIONAL, U.S. AND FOREIGN PATENT AND/OR PATENT PENDING. RESERVED AMP PRODUCTS MAY BE COVERED BY U.S. AND FOREIGN PATENT AND/OR PATENT PENDING.		
TOLLERANZE: SE NON DIVERSAMENTE SPECIFICATO (TOLERANCES UNLESS OTHERWISE SPECIFIED):	DIA. (DIAMETRO) (INS. DIA. RANGE):	RANGO FILE (WIRE RANGE):
± 0.4	3.0 mm Dia. Max.	0.3 ~ 1 mm ²
ANGOLI (ANGLES): ± 2°	AMP AMP ITALIA S.p.A. Corso F.lli Cervi, 15 COLLEGNO (TORINO)	
DISEGNO (DRAWING): b-4-84	DESCRIZIONE (DESCRIPTION): MAG MATE POKE-IN TAB 0.3 ~ 1 mm ² (SPECIAL VERS.)	
A In Produzione	ES 4 FEB 82	CONT. (CHKD) Visual 6-4-84
1 REVISIONATO	DL 18-48	APP. (APP.)
REV. (REVISION RECORD)	DIE (DIE)	DATA (DATE)
LOC. (LOC.)	NUMERO (DWG NO.)	REV. (REV.)
IA	C-281b22	A
		FOGLIO (SHEET) 1/1