



Chipsmall Limited consists of a professional team with an average of over 10 year of expertise in the distribution of electronic components. Based in Hongkong, we have already established firm and mutual-benefit business relationships with customers from,Europe,America and south Asia,supplying obsolete and hard-to-find components to meet their specific needs.

With the principle of “Quality Parts,Customers Priority,Honest Operation,and Considerate Service”,our business mainly focus on the distribution of electronic components. Line cards we deal with include Microchip,ALPS,ROHM,Xilinx,Pulse,ON,Everlight and Freescale. Main products comprise IC,Modules,Potentiometer,IC Socket,Relay,Connector.Our parts cover such applications as commercial,industrial, and automotives areas.

We are looking forward to setting up business relationship with you and hope to provide you with the best service and solution. Let us make a better world for our industry!



Contact us

Tel: +86-755-8981 8866 Fax: +86-755-8427 6832

Email & Skype: info@chipsmall.com Web: www.chipsmall.com

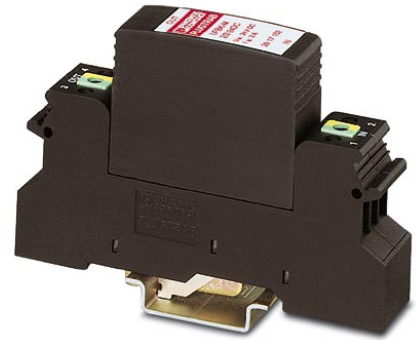
Address: A1208, Overseas Decoration Building, #122 Zhenhua RD., Futian, Shenzhen, China



UFBK-M 2/2- 24AC-ST


Discontinued item

Order No.: 2817149

<http://eshop.phoenixcontact.de/phoenix/treeViewClick.do?UID=2817149>

Protective plug UFBK-M with protective circuit for 2 conductors of signal circuits grounded on one side. Nominal voltage: 24 V AC

Commercial data

GTIN (EAN)	 4 017918 129897
Note	Made-to-order
sales group	J221
Pack	10 pcs.
Customs tariff	85363010

Product notes

WEEE/RoHS-compliant since:
07/20/2006



<http://www.download.phoenixcontact.com>
Please note that the data given here has been taken from the online catalog. For comprehensive information and data, please refer to the user documentation. The General Terms and Conditions of Use apply to Internet downloads.

Technical data

General

Housing material	PA
Inflammability class acc. to UL 94	V2
Ambient temperature (operation)	-40 °C ... 80 °C
Degree of protection	IP20
Arrester can be tested with TT-Tester from software version:	From SW rev. 6.00

Arrester can be tested with CHECKMASTER from software version:	From SW rev. 1.00
Pitch unit	1 Div.

Protective circuit

Nominal voltage U_N	24 V AC
Nominal current I_N	2 A
Operating effective current I_C at U_C	100 μ A
Nominal discharge surge current I_n (8/20) μ s (Core-Core)	10 kA
Nominal discharge surge current I_n (8/20) μ s (Core-Earth)	10 kA
Output voltage limitation at 1 kV/ μ s (Core-Earth) static	(<1,8 U_{max})
Response time t_A (Core-Earth)	≤ 1 ns
Resistance in series	< 100 m Ω (Path 1-3)
	< 100 m Ω (Path 2-4)

Connection data

Type of connection	Screw connection
Screw thread	M3
Stripping length	8 mm
Conductor cross section stranded min.	0.2 mm ²
Conductor cross section stranded max.	2.5 mm ²
Conductor cross section solid min.	0.2 mm ²
Conductor cross section solid max.	4 mm ²
Conductor cross section AWG/kcmil min.	24
Conductor cross section AWG/kcmil max	12

Certificates / Approvals

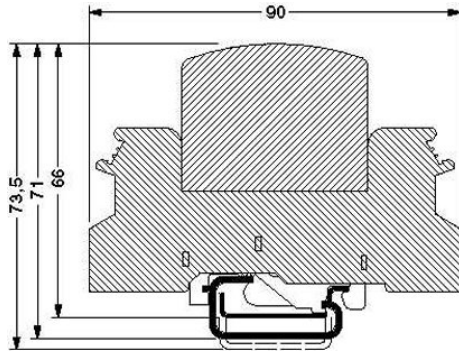


Certification

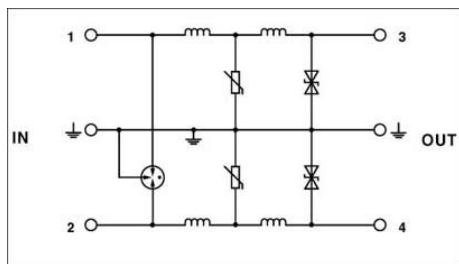
GOST

Diagrams/Drawings

Dimensioned drawing



Circuit diagram



Address

PHOENIX CONTACT Deutschland GmbH
Flachmarktstr. 8
32825 Blomberg, Germany
Phone +49 5235 3 12000
Fax +49 5235 3 41200
<http://www.phoenixcontact.de>



© 2011 Phoenix Contact
Technical modifications reserved;