



Chipsmall Limited consists of a professional team with an average of over 10 year of expertise in the distribution of electronic components. Based in Hongkong, we have already established firm and mutual-benefit business relationships with customers from,Europe,America and south Asia,supplying obsolete and hard-to-find components to meet their specific needs.

With the principle of “Quality Parts,Customers Priority,Honest Operation,and Considerate Service”,our business mainly focus on the distribution of electronic components. Line cards we deal with include Microchip,ALPS,ROHM,Xilinx,Pulse,ON,Everlight and Freescale. Main products comprise IC,Modules,Potentiometer,IC Socket,Relay,Connector.Our parts cover such applications as commercial,industrial, and automotives areas.

We are looking forward to setting up business relationship with you and hope to provide you with the best service and solution. Let us make a better world for our industry!



Contact us

Tel: +86-755-8981 8866 Fax: +86-755-8427 6832

Email & Skype: info@chipsmall.com Web: www.chipsmall.com

Address: A1208, Overseas Decoration Building, #122 Zhenhua RD., Futian, Shenzhen, China

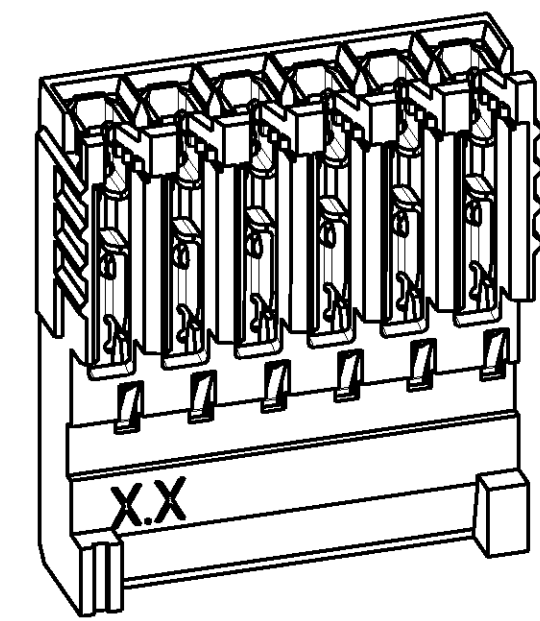
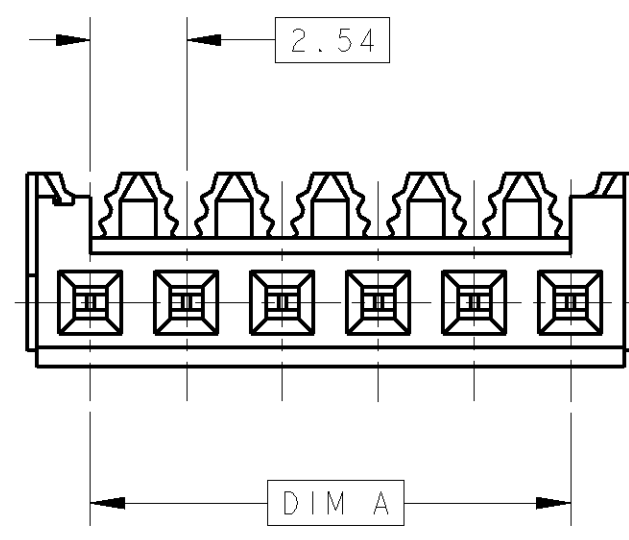


THIS DRAWING IS UNPUBLISHED.
 DIFFUSION RESTREINTE
 © COPYRIGHT BY

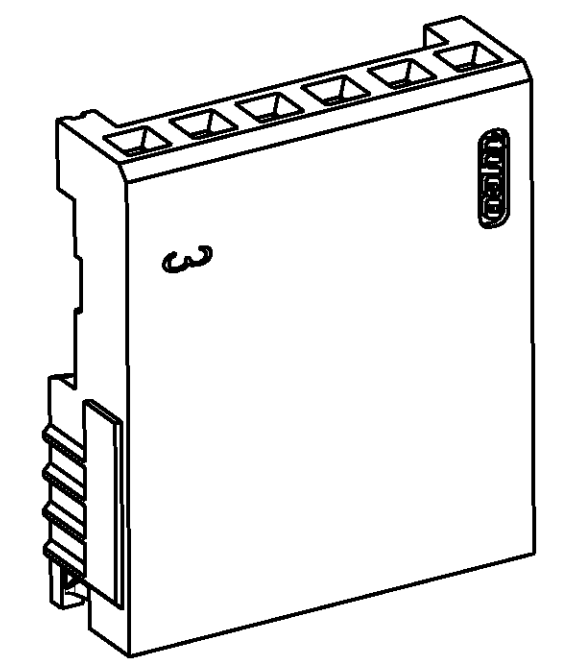
RELEASED FOR PUBLICATION
 LIBRE A LA DIFFUSION
 ALL RIGHTS RESERVED
 TOUS DROITS RESERVES

FILS ADMISSIBLES (ACCEPTABLES WIRES)	
JAUGE (AWG) SECTION / 7 BRINS (7 STRANDS)	28-26 0.08-0.12mm ²
ISOLANT: Ø MAX / MATIERE (INSUL.: Ø MAX / MAT'L)	Ø 1 / PVC

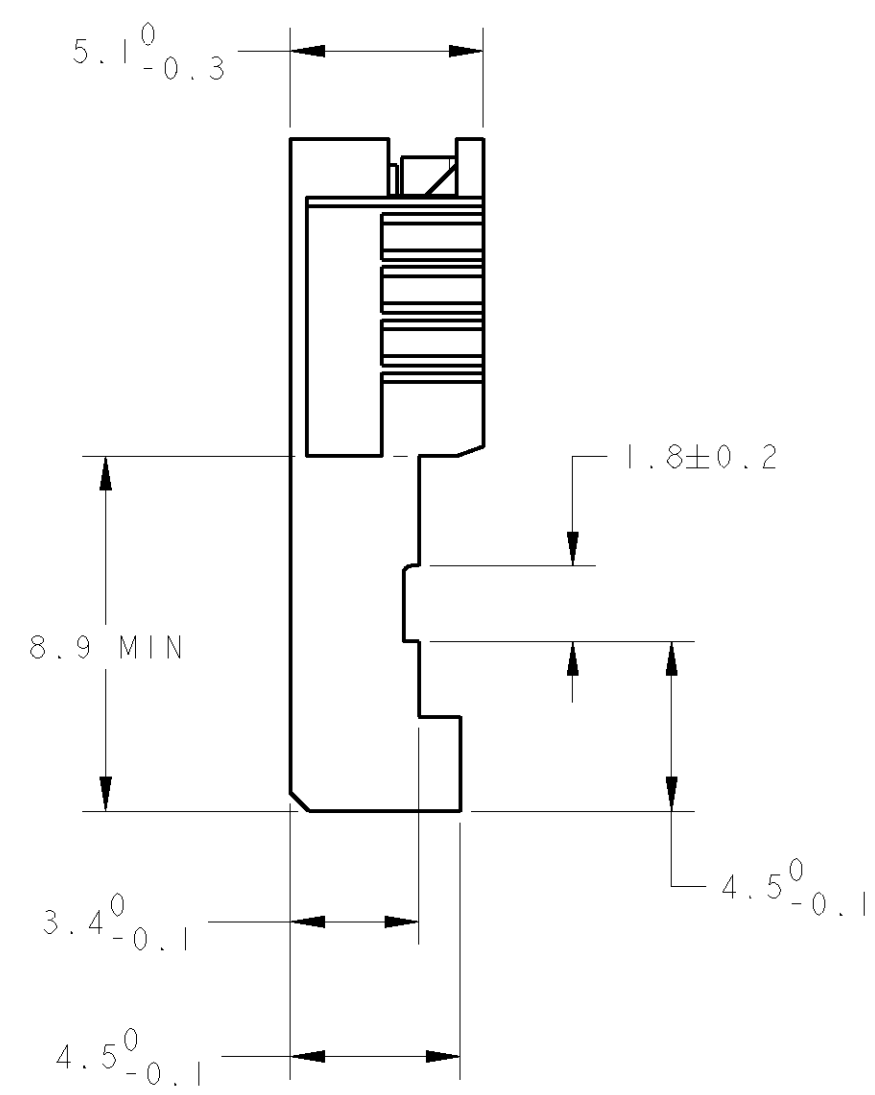
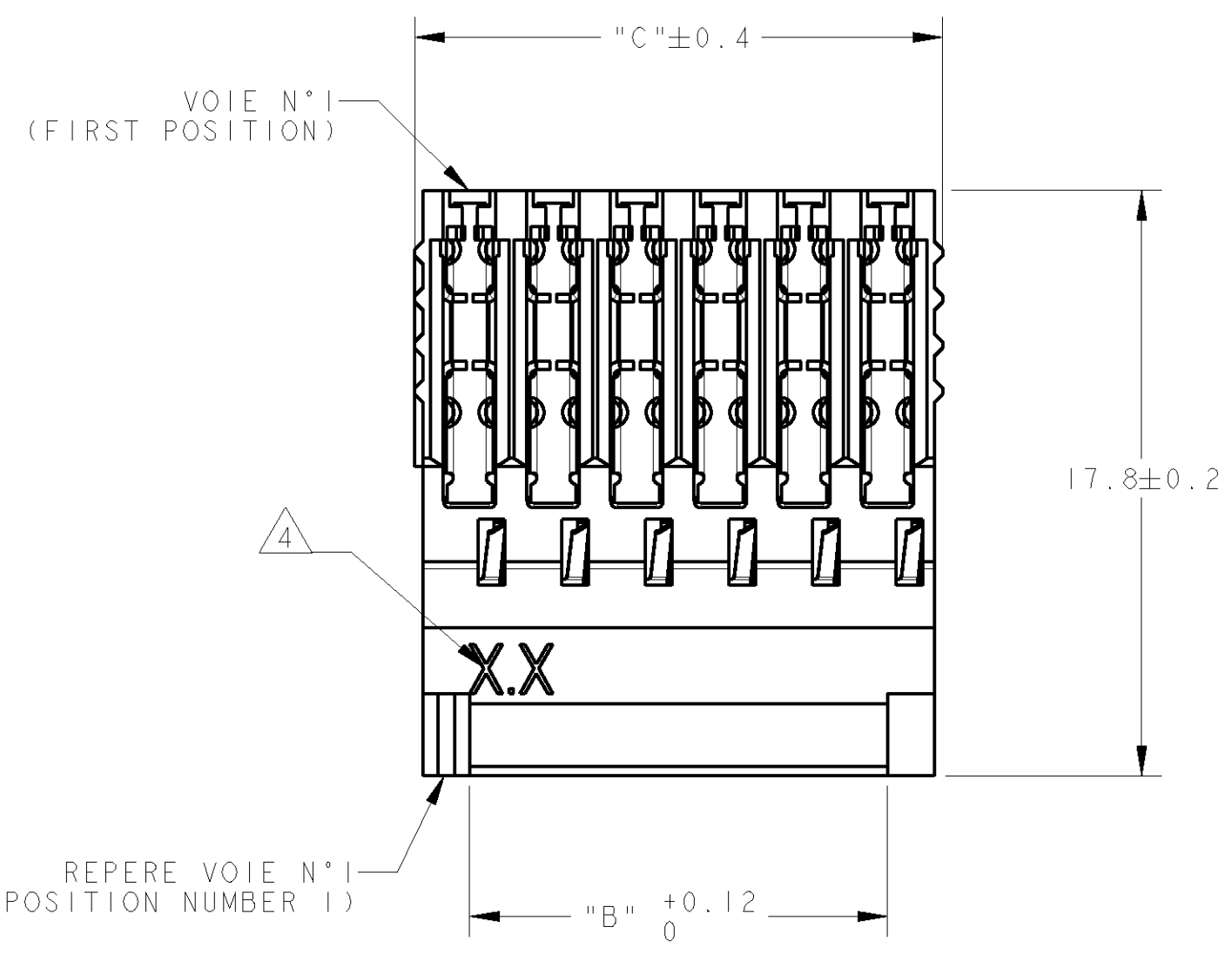
LOC	DIST	REVISIONS					
F	7	P	LTR	DESCRIPTION MODIFICATIONS	DATE	DWN DESS.	APVD APP.
		C1		REVISED PER ECO-11-005150	28APR11	RK	HMR



SCALE 4:1



SCALE 4:1



- | | |
|--|--|
| <p>1 CES CONNECTEURS SONT PREVUS POUR ETRE ACCOUPLES AVEC LES EMBASES 'HE1402' SIMPLE RANGEE</p> <p>2 LES REFERENCES SUIVIES D'UN ' * ' SONT LES VERSIONS NORMALISEES SELON LA 'CEI 603-8'</p> <p>3 REVETEMENT DES CONTACTS: ETAME</p> <p>4 8.6 SIGNIFIE JAUGE 28-26</p> <p>5 MATIERES - BOITIER: PBT UL94V0, BLEU
- CONTACTS: BRONZE PHOSPHOREUX.</p> | <p>(THESE CONNECTEURS ARE DESIGNED TO BE MATED WITH 'HE1402' HEADERS SINGLE ROW)</p> <p>(THE PART-No FOLLOWED BY ' * ' ARE COVERED BY THE INTERNATIONAL STANDARD 'IEC603-8')</p> <p>(CONTACTS PLATING: TIN)</p> <p>8.6 REFERS TO 28-26 AWG</p> <p>(MATERIAL - HOUSING: PBT UL94V0, COLOR BLUE
- CONTACTS: PHOSPHOR BRONZE)</p> |
|--|--|

46.52	43.18	18	1-281786-8	*
38.90	35.56	15	1-281786-5	*
31.28	27.94	12	1-281786-2	*
26.20	22.86	10	1-281786-0	*
21.12	17.78	8	0-281786-8	*
16.04	12.70	6	0-281786-6	*
13.50	10.16	5	0-281786-5	*
10.96	7.62	4	0-281786-4	*
8.42	5.08	3	0-281786-3	*
5.88	2.54	2	0-281786-2	*
C		A, B	Nb DE POS	REFERENCES (PART No)
DIMENSIONS				

DWN/DESSINE 29NOV2000 C. COMBEDOUZON		TE TE Connectivity	
CHK/VERIFIE 29NOV2000 T. CORRIOU			
APVD/APPROUVE 29NOV2000 Y. PETRONIN		NAME TITRE	
PRODUCT SPEC SPEC. PRODUIT 108-15053		HE 1402 PLUG, 180° IDC SINGLE ROW	
APPLICATION SPEC SPEC. APPLICATION 114-15031		SIZE FORMAT A2	CAGE CODE 00779
WEIGHT MASSE APPROX. -		DRAWING NO No PLAN C-281786	RESTRICTED TO RESERVE A
CUSTOMER DRAWING /PLAN CLIENT		UNIFORMENT POUR REFERENCE	SCALE ECHELLE 5:1
		SHEET FEUILLE	OF DE
		REV C1	