



Chipsmall Limited consists of a professional team with an average of over 10 year of expertise in the distribution of electronic components. Based in Hongkong, we have already established firm and mutual-benefit business relationships with customers from,Europe,America and south Asia,supplying obsolete and hard-to-find components to meet their specific needs.

With the principle of “Quality Parts,Customers Priority,Honest Operation,and Considerate Service”,our business mainly focus on the distribution of electronic components. Line cards we deal with include Microchip,ALPS,ROHM,Xilinx,Pulse,ON,Everlight and Freescale. Main products comprise IC,Modules,Potentiometer,IC Socket,Relay,Connector.Our parts cover such applications as commercial,industrial, and automotives areas.

We are looking forward to setting up business relationship with you and hope to provide you with the best service and solution. Let us make a better world for our industry!



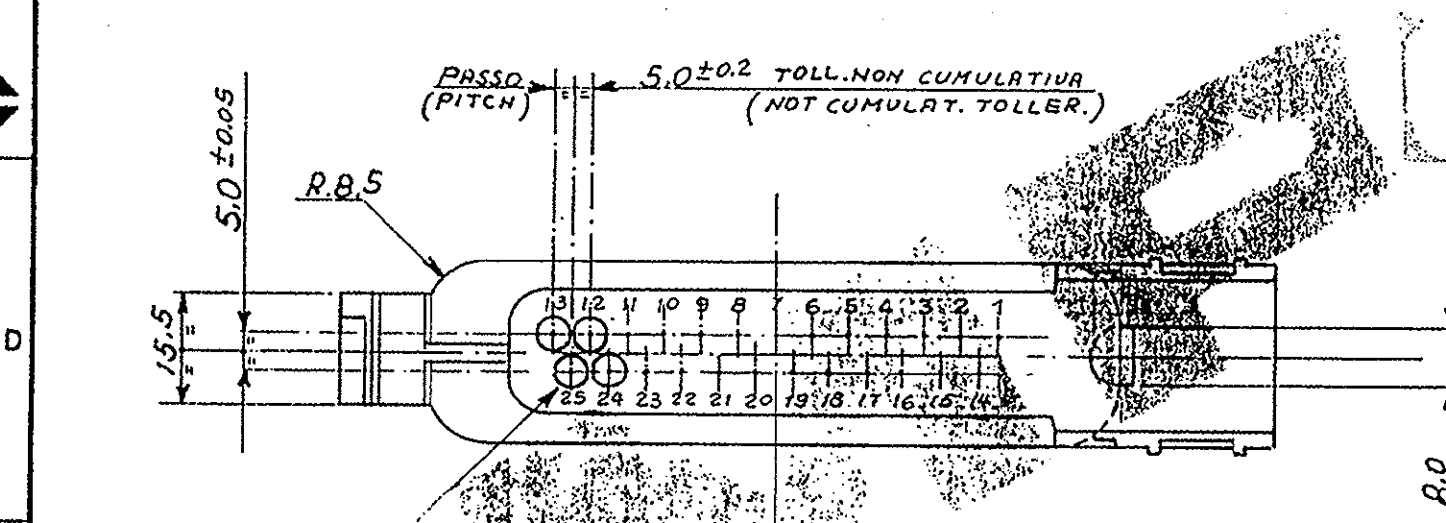
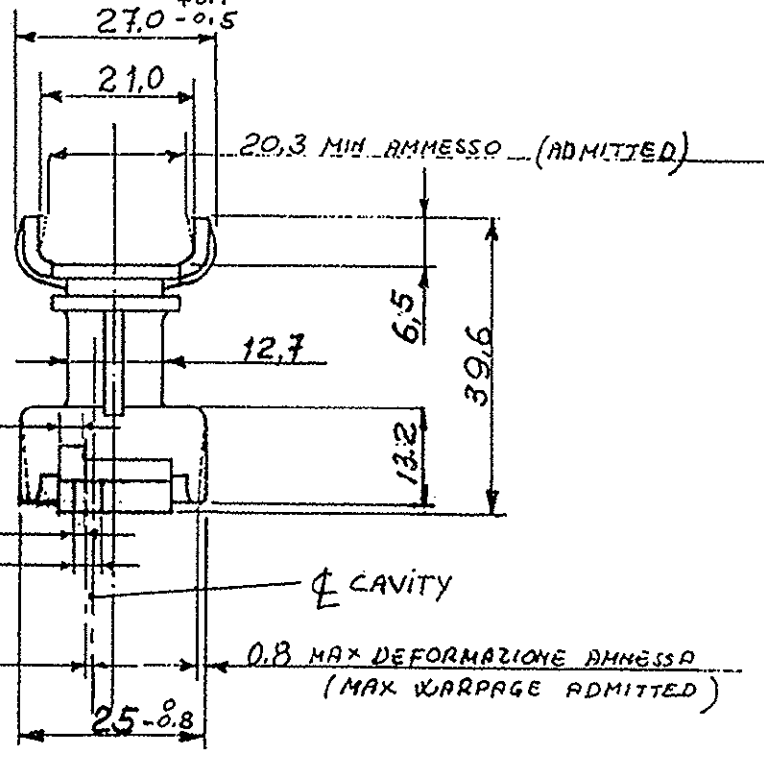
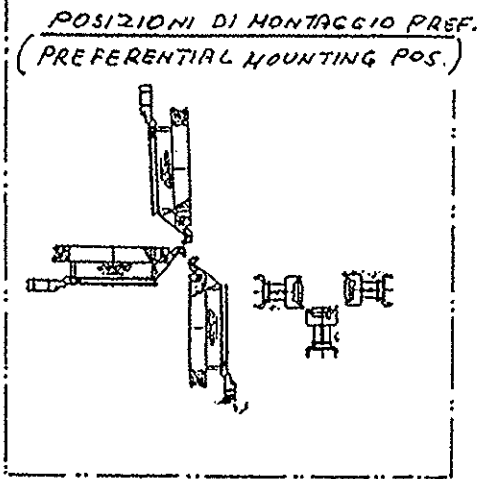
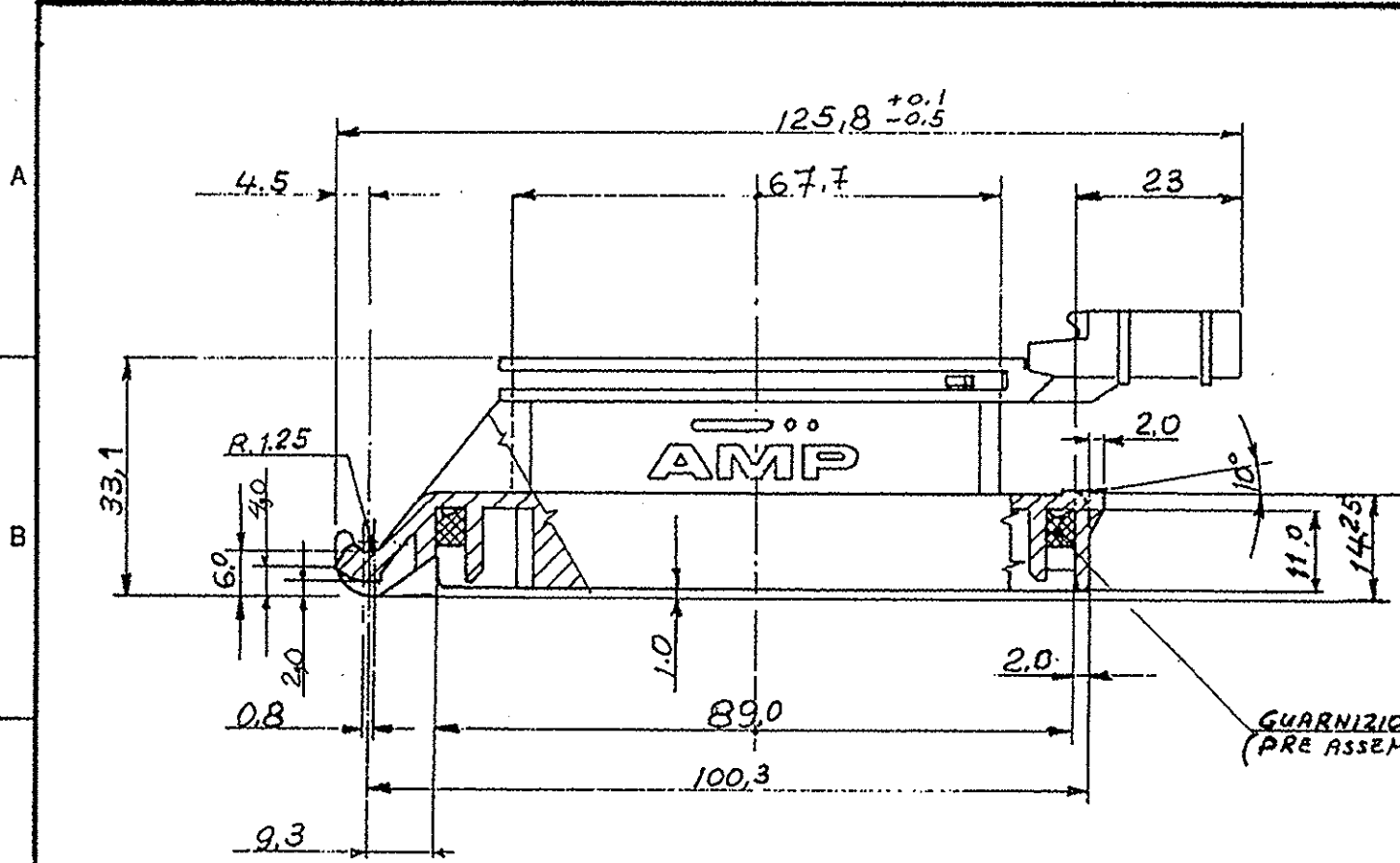
## Contact us

Tel: +86-755-8981 8866 Fax: +86-755-8427 6832

Email & Skype: info@chipsmall.com Web: www.chipsmall.com

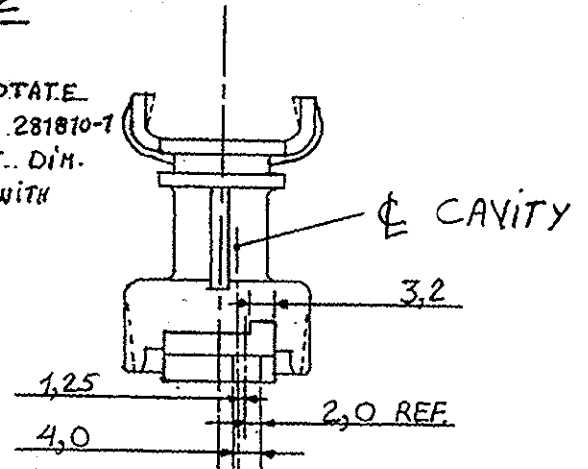
Address: A1208, Overseas Decoration Building, #122 Zhenhua RD., Futian, Shenzhen, China





281810-2

PARTI NON QUOTATE IN COMUNE CON 281810-1 (PARTS WITHOUT DIM. ARE COMMON WITH 281810-1)



NERO (BLACK)	PA.CARIC. (G.F. PA 66)	281810-2
NERO (BLACK)	PA.CARIC. (G.F. PA 66)	281810-1
FINITURA / COLORE (FINISH / COLOUR)	MATERIALE (MATERIAL)	NUMERO (PART NUMBER)

**CUSTOMER DWG. FOR REFERENCE ONLY**     **DISEGNO PER CLIENTE SOLO PER RIFERIMENTO**

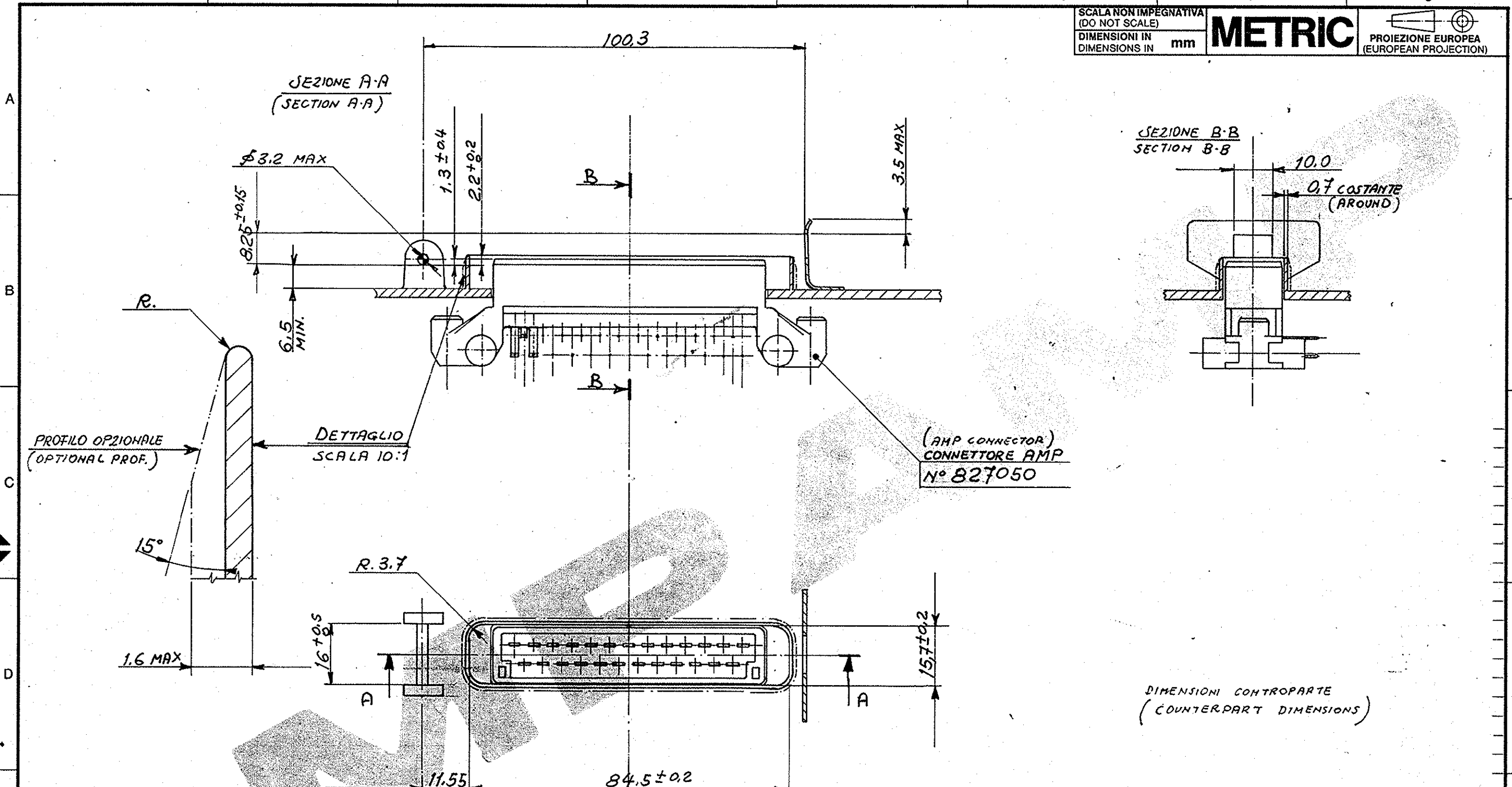
REV.	REVISIONI (REVISION RECORD)	DATA (DATE)
6	REVISIONATO	22/07/86
5	REVISIONATO	22/07/86
4	REVISIONATO	13/07/86
3	Aggiorn. foglio 2	14/07/86
2	N° DIS. ERA IA-86-5005	17/07/86
1	REVISIONATO E RIDISEGN.	17/07/86

THIS DRAWING IS UNPUBLISHED  
 5 COPYRIGHT IS RESERVED AMP PRODUCTS MAY BE COVERED BY U.S. AND FOREIGN PATENT AND/OR PATENT PENDING  
 TOLLERANZE: SE NON DIVERSAMENTE SPECIFICATO (TOLERANCES UNLESS OTHERWISE SPECIFIED)  
 DIAM. ISOLANTE (INS. DIA. RANGE) ± 0.3  
 RANGO FILO (WIRE RANGE)  
 SCALA (SCALE) 1:1

AMP ITALIA S.p.A.  
 Corso F.lli Cervi, 16  
 COLLEGNO (TORINO)  
 DESCRIZIONE (DESCRIPTION) 25 POS. SPLASH PROOF  
 CONN. FOR JUNIOR TIMER C. 90° VERSION  
 LOC. SIZE NUMERO (DING NO) REV. FOLGIO (SHEET) 1A3 C-281810 D 1/2

CAVITÀ ADATTA PER CONTATTI JUNIOR TIMER 281822-281823  
 (CAVITY SUITABLE FOR CONTACTS JUNIOR TIMER AND/OR J.P.T.)  
 182730 - 182732 - 182731

CON QUARNIZIONI WITH RUBBER SEALS)



PROFILO OPZIONALE  
(OPTIONAL PROF.)

DETTAGLIO  
SCALA 10:1

(AMP CONNECTOR)  
CONNETTORE AMP  
N° 827050

DIMENSIONI CONTROPARTE  
(COUNTERPART DIMENSIONS)

FINITURA / COLORE (FINISH / COLOUR)	MATERIALE (MATERIAL)	NUMERO (PART NUMBER)
<b>CUSTOMER DWG.</b> FOR REFERENCE ONLY		<b>DISEGNO PER CLIENTE</b> SOLO PER RIFERIMENTO
THIS DRAWING IS UNPUBLISHED		RELEASE FOR PUBLICATION 19
© COPYRIGHT 19 BY AMP INCORPORATED, HARRISBURG, PA ALL INTERNATIONAL RIGHT RESERVED AMP PRODUCTS MAY BE COVERED BY U.S. AND FOREIGN PATENT AND/OR PATENT PENDING		
TOLLERANZE: SE NON DIVERSAMENTE SPECIFICATO (TOLERANCES UNLESS OTHERWISE SPECIFIED)	DIAM. ISOLANTE (INS. DIA. RANGE)	RANGO FILO (WIRE RANGE)
± 0,3	1"	1:1
ANGOLI (ANGLES) ± 2°	<b>AMP</b> AMP ITALIA S.p.A. Corso F.lli Cervi, 15 COLLEGNO (TORINO)	
DIS. (DR.)	DESCRIZIONE (DESCRIPTION) 25 POS. SPLASH PROOF (WITH OPT. SEAL)	
CONT. (CHK.)	CONN. FOR JUNIOR TIMERC. 90° VERSION	
3 8.25 ± 0.15 era 8.25 ± 0.1	LOC. SIZE	NUMERO (DWG NO)
REV. (APP.)	IA3	C-281810
REVISIONI (REVISION RECORD)	REV. (APP.)	FOGLIO (SHEET) 2 DI 2 (OF)

DISTRIBUZIONE  
(PRINT DIST.)