



Chipsmall Limited consists of a professional team with an average of over 10 year of expertise in the distribution of electronic components. Based in Hongkong, we have already established firm and mutual-benefit business relationships with customers from,Europe,America and south Asia,supplying obsolete and hard-to-find components to meet their specific needs.

With the principle of “Quality Parts,Customers Priority,Honest Operation,and Considerate Service”,our business mainly focus on the distribution of electronic components. Line cards we deal with include Microchip,ALPS,ROHM,Xilinx,Pulse,ON,Everlight and Freescale. Main products comprise IC,Modules,Potentiometer,IC Socket,Relay,Connector.Our parts cover such applications as commercial,industrial, and automotives areas.

We are looking forward to setting up business relationship with you and hope to provide you with the best service and solution. Let us make a better world for our industry!



Contact us

Tel: +86-755-8981 8866 Fax: +86-755-8427 6832

Email & Skype: info@chipsmall.com Web: www.chipsmall.com

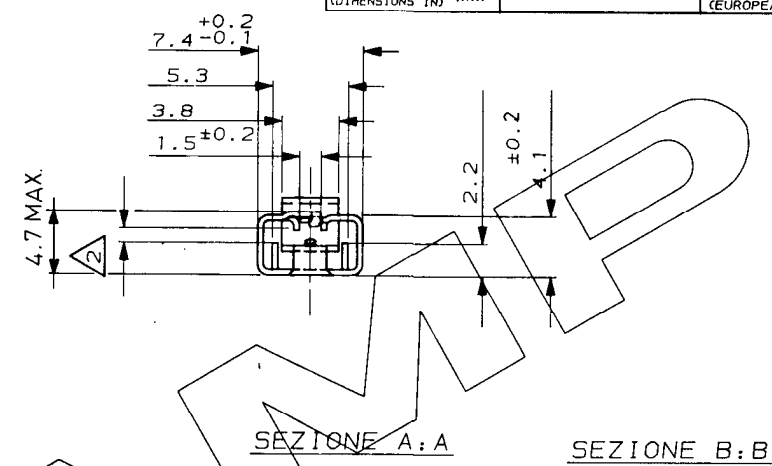
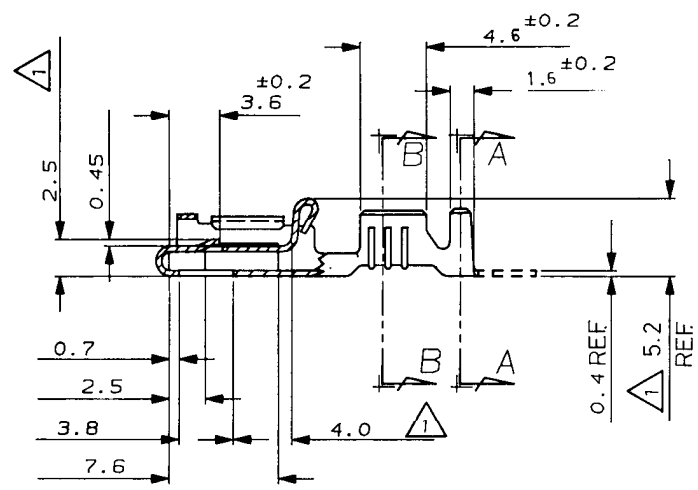
Address: A1208, Overseas Decoration Building, #122 Zhenhua RD., Futian, Shenzhen, China



SCALA NON IMPREGIATIVA
(DO NOT SCALE)
DIMENSIONI IN mm
(DIMENSIONS IN mm)

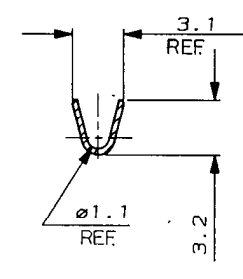
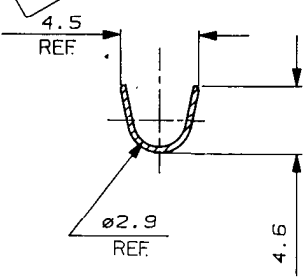
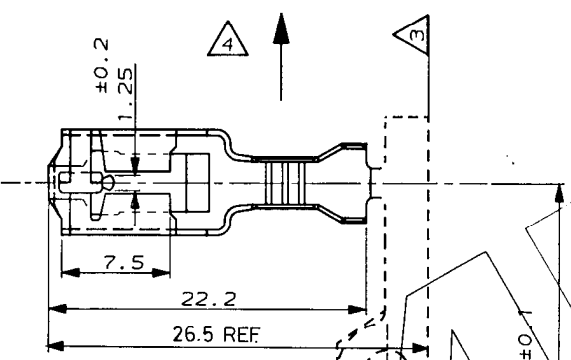
METRIC

PROIEZIONE EUROPEA
(EUROPEAN PROJECTION)

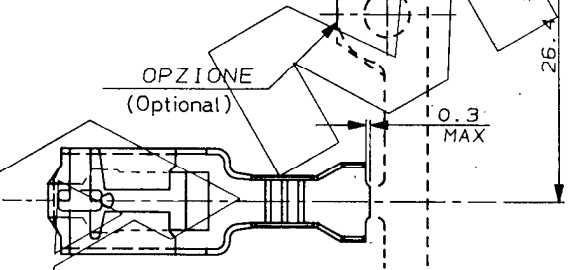


SEZIONE A:A

SEZIONE B:B



OPZIONE
(Optional)



- NOTE:
- 1 DA MISURARSI CON LA MOLLA IN POSIZIONE ORIZZONTALE
(Measured when spring is horizontal)
 - 2 ADATTO PER TERMINALE MASCHIO CON FORO, SECONDO TABELLA FIAT 91319 FOGLIO 2 (TIPO A) (Suitable for Tab 0.8 THK with hole)
 - 3 MASSIMA SCIABOLATURA AMMESSA: 18 mm PER METRO (Camber: 18mm/m)
 - 4 SENSO DI USCITA DEL TERMINALE DALLA BOBINA. (P.N. -2)
(Direction off top of reel)

STAGNATO (Tin Plated)	(Brass) OTTONE	281827-2
---	(Brass) OTTONE	281827-1
FINITURA / COLORE (FINISH / COLOUR)	MATERIALE (MATERIAL)	NUMERO (PART NUMBER)

CUSTOMER DWG. FOR REFERENCE ONLY DISEGNO PER CLIENTE SOLO PER RIFERIMENTO

THIS DRAWING IS UNPUBLISHED RELEASE FOR PUBLICATION

TOLLERANZE, SE NON DIVERSAMENTE SPECIFICATO (TOLERANCES, UNLESS OTHERWISE SPECIFIED)	DIAM. ISOLANTE (INS. DIA. RANGE)	RANGO FILO (WIRE RANGE)	SCALA (SCALE)
±0.3 ± 2°	2.3-3.3 mm	0.5-1.5 mm ²	-



A2	ECR-12-019087	PKS	020V 2012	CONT. (CHK)	---
A1	REVISED PER ECO-11-005924	RK	09APR 11	APP. (APP.)	---
REV.	REVISIONI (REVISION RECORD)	D/S. (DATE)	DATA (DATE)	LOC. SIZE (DWG NO)	REV. FOGLIO (SHEET)
	A3	C-281827	A2		

DESCRIZIONE (DESCRIPTION) (MARK I)
POSITIVE LOCK REC.

DISTRIBUZIONE
PRINT DIST.