



Chipsmall Limited consists of a professional team with an average of over 10 year of expertise in the distribution of electronic components. Based in Hongkong, we have already established firm and mutual-benefit business relationships with customers from,Europe,America and south Asia,supplying obsolete and hard-to-find components to meet their specific needs.

With the principle of “Quality Parts,Customers Priority,Honest Operation,and Considerate Service”,our business mainly focus on the distribution of electronic components. Line cards we deal with include Microchip,ALPS,ROHM,Xilinx,Pulse,ON,Everlight and Freescale. Main products comprise IC,Modules,Potentiometer,IC Socket,Relay,Connector.Our parts cover such applications as commercial,industrial, and automotives areas.

We are looking forward to setting up business relationship with you and hope to provide you with the best service and solution. Let us make a better world for our industry!



## Contact us

Tel: +86-755-8981 8866 Fax: +86-755-8427 6832

Email & Skype: info@chipsmall.com Web: www.chipsmall.com

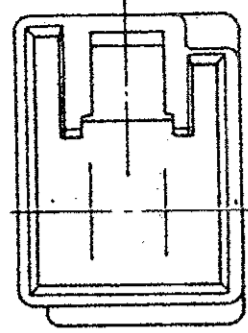
Address: A1208, Overseas Decoration Building, #122 Zhenhua RD., Futian, Shenzhen, China



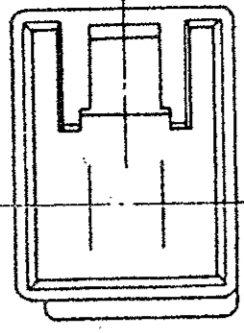
DWG. NO 281866

Tabella Posiz. Polarizzazione/Part Number..Viste Frontali da G.

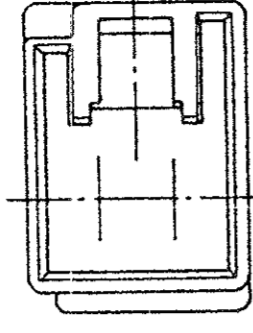
(Polarization configuration table / Part Number - View from G.)



281866 -1



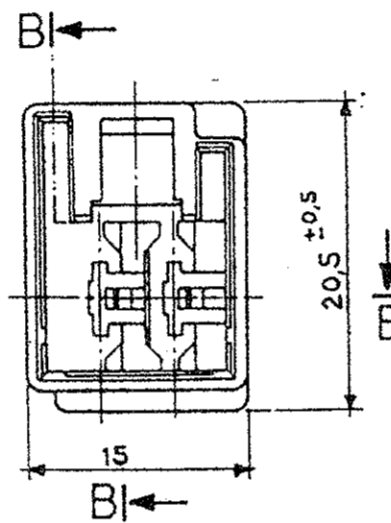
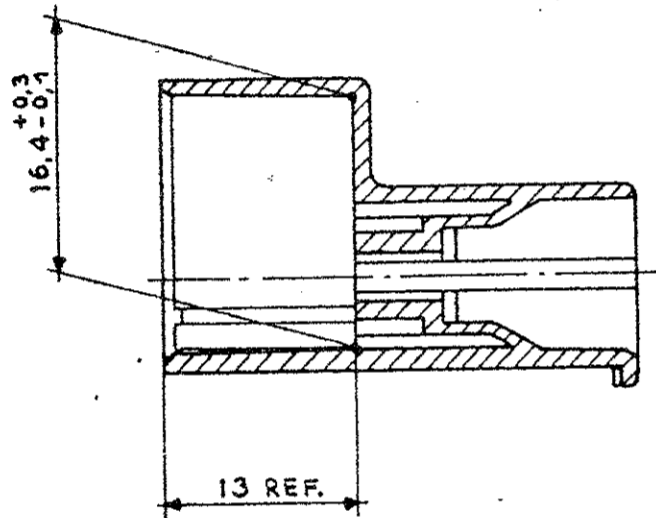
281866 -2



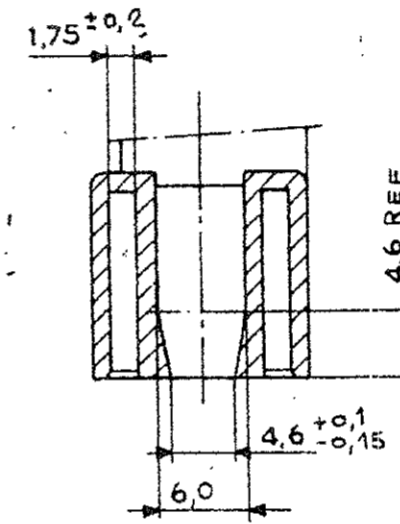
281866 -3

DO NOT SCALE		METRIC		THIRD ANGLE PROJECTION	
DIMENSIONS IN mm					
QTY REQ'D PER ASSY		PART NO		PART LIST	
				DESCRIPTION	
				ITEM NO	

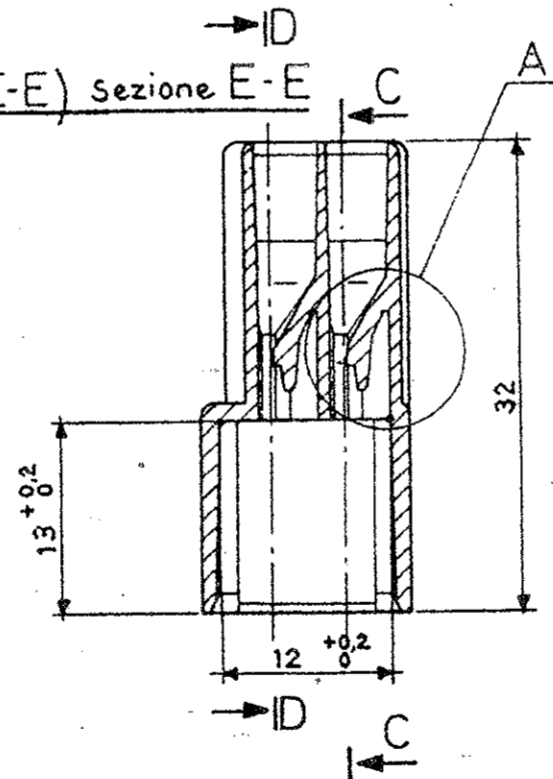
Sezione B-B (Section B-B)



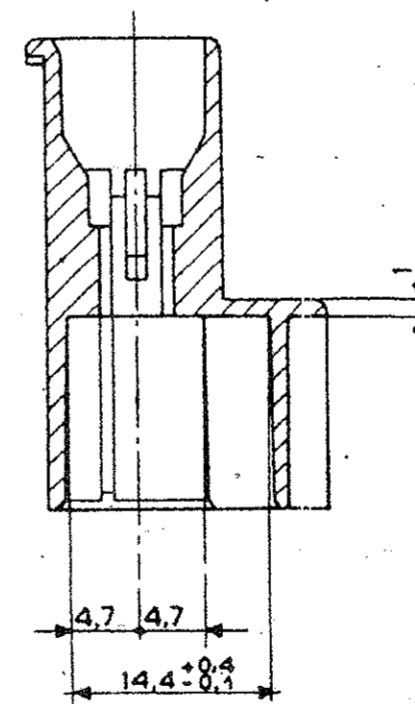
Sezione F-F (Section F-F)



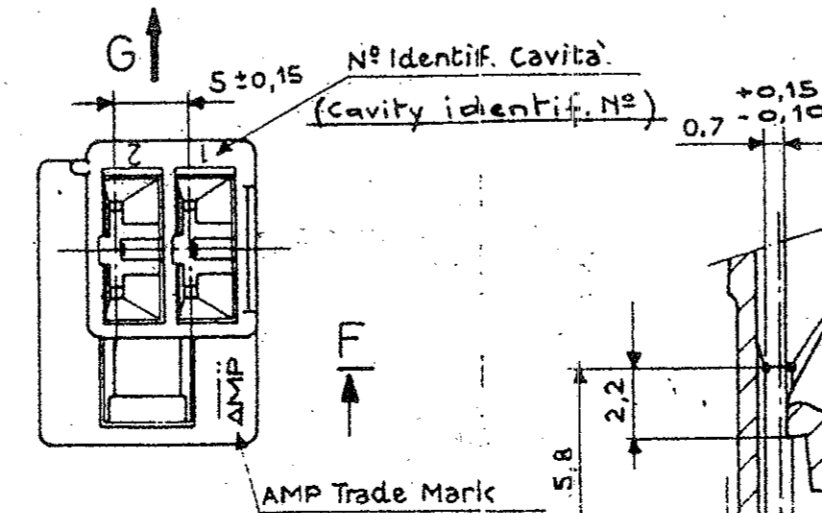
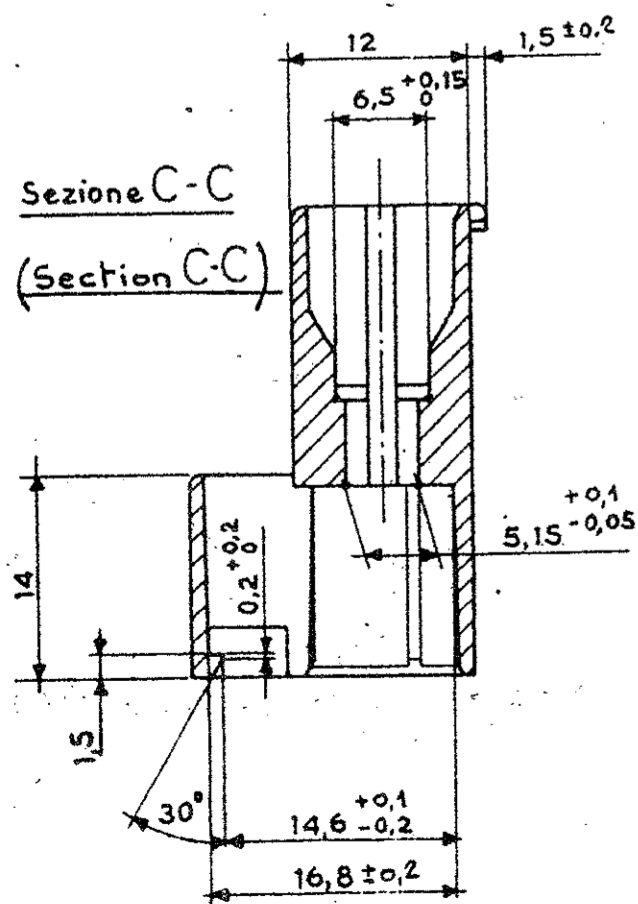
(Section E-E) Sezione E-E



Sezione D-D (Section D-D)



Sezione C-C (Section C-C)



Dettaglio A (Detail A)

Nero (BLACK)		281866 -3
Marrone (BROWN)		281866 -2
Naturale (CLEAR)	PA 6.6 30% car.Vetro (PA6.6 30% Glass fibre)	281866 -1
FINITURA / COLORE (FINISH / COLOUR)	MATERIALE (MATERIAL)	NUMERO (PART NUMBER)

**CUSTOMER DWG. FOR REFERENCE ONLY** **DISEGNO PER CLIENTE SOLO PER RIFERIMENTO**

RELEASE FOR PUBLICATION 1987  
 © COPYRIGHT 1987 BY AMP INCORPORATED, HARRISBURG, PA ALL RIGHTS RESERVED  
 RESERVED AMP PRODUCTS MAY BE COVERED BY U.S. AND FOREIGN PATENT AND/OR PATENT PENDING

NOTE		FINISH / COLOUR		MATERIAL		PART NUMBER	
TOTAL SURFACE AREA SQ. mm		WIRE RANGE		UNLESS OTHERWISE SPECIFIED		ANGLES ± 0° 30'	
DIE / MOULD NO		INS. DIA RANGE		TRIMMING BURRS NOT TO EXCEED mm			
DR O. CAHUTO (4th Apr. 1989)		AMP		AMP		AMP ITALIA Sp.A. Corso F.lli Cervi, 15 COLLEGNO (TORINO)	
B Dim. 12 was 12.1		O.C. 13.7mm BS		NAME		5mm PITCH TAB HOUSING (2WAY)	
A Released for prod		O.C.		LOC		SIZE DWG NO	
REV LTR		REVISION RECORD		E.C.N		DR DATE	
		SCALE		I A2		C-281866	
				REV		SHEET	
				B		1 di 1	

PRODUCT RESTRICTED TO FIAT S.P.A. AND FIAT SUBSIDIARIES HARNESS MAKERS

THIS INFORMATION IS CONFIDENTIAL AND IS DISCLOSED TO YOU ON CONDITION THAT NO FURTHER DISCLOSURE IS MADE BY YOU TO OTHER THAN AMP PERSONNEL WITHOUT WRITTEN AUTHORIZATION FROM AMP ITALIA S.p.A.