



Chipsmall Limited consists of a professional team with an average of over 10 year of expertise in the distribution of electronic components. Based in Hongkong, we have already established firm and mutual-benefit business relationships with customers from,Europe,America and south Asia,supplying obsolete and hard-to-find components to meet their specific needs.

With the principle of “Quality Parts,Customers Priority,Honest Operation,and Considerate Service”,our business mainly focus on the distribution of electronic components. Line cards we deal with include Microchip,ALPS,ROHM,Xilinx,Pulse,ON,Everlight and Freescale. Main products comprise IC,Modules,Potentiometer,IC Socket,Relay,Connector.Our parts cover such applications as commercial,industrial, and automotives areas.

We are looking forward to setting up business relationship with you and hope to provide you with the best service and solution. Let us make a better world for our industry!



Contact us

Tel: +86-755-8981 8866 Fax: +86-755-8427 6832

Email & Skype: info@chipsmall.com Web: www.chipsmall.com

Address: A1208, Overseas Decoration Building, #122 Zhenhua RD., Futian, Shenzhen, China



Surge protection device - D-FM-A/RJ45-BB - 2818795

Please be informed that the data shown in this PDF Document is generated from our Online Catalog. Please find the complete data in the user's documentation. Our General Terms of Use for Downloads are valid (<http://download.phoenixcontact.com>)



Attachment connector with surge protection for analog telecommunication interfaces. Connection: RJ45 female connectors



Key commercial data

Packing unit	1
Minimum order quantity	1
Catalog page	Page 122 (TT-2005)
GTIN	 4 017918 161927
Custom tariff number	85363010
Country of origin	GERMANY

Technical data

General

Housing material	Aluminum
Color	black
Ambient temperature (operation)	-25 °C ... 85 °C
Mounting type	Connection-specific intermediate plugging
Design	Attachment plug
Degree of protection	IP20
Direction of action	Line-Line & Line-Earth Ground
Width	25.4 mm
Height	25.4 mm
Depth	102 mm

Protective circuit

IEC category	C2
IEC category	C3
VDE requirement class	C2
VDE requirement class	C3
Maximum continuous voltage UC (wire-ground)	185 V DC
Nominal current IN	150 mA

Surge protection device - D-FM-A/RJ45-BB - 2818795

Technical data

Protective circuit

Operating effective current IC at UC	≤ 10 μA
Ground conductor current IPE	≤ 1 μA
Nominal discharge surge current In (8/20) μs (Core-Earth)	2.5 kA
Output voltage limitation at 1 kV/μs (Core-Core) spike	≤ 300 V
Output voltage limitation at 1 kV/μs (Core-Earth) spike	≤ 1.4 kV
Output voltage limitation at 1 kV/μs (Core-Core) static	≤ 300 V
Output voltage limitation at 1 kV/μs (Core-Earth) static	≤ 1.4 kV
Residual voltage at In, (conductor-conductor)	≤ 50 V
Residual voltage at In, (conductor-ground)	≤ 150 V
Protection level UP (Core-Core)	≤ 300 V
Protection level UP (Core-Earth)	≤ 1.4 kV
Response time tA (Core-Core)	≤ 10 ns
Response time tA (Core-Earth)	≤ 100 ns
Inductivity in series	39 μH ±10 %
Resistance in series	1 Ω
Short-circuit current self-quenching	150 mA

Connection data

Connection method	RJ45
Connection type IN	RJ45 female connector
Connection type OUT	RJ45 female connector

Connection, protective circuit

Standards/regulations	Draft IEC 64644-1
Standards/regulations	E VDE 0845-3-1

Classifications

eclass

eCl@ss 4.0	27140201
eCl@ss 4.1	27130801
eCl@ss 5.0	27130801
eCl@ss 5.1	27130801
eCl@ss 6.0	27130807
eCl@ss 7.0	27130807

etim

ETIM 2.0	EC000943
ETIM 3.0	EC000943
ETIM 4.0	EC000943

unspsc

UNSPSC 6.01	30212010
UNSPSC 7.0901	39121610

Surge protection device - D-FM-A/RJ45-BB - 2818795

Classifications

unspsc

UNSPSC 11	39121610
UNSPSC 12.01	39121610
UNSPSC 13.2	39121620

Approvals

Approvals

Approvals

GOST / GOST

Ex Approvals

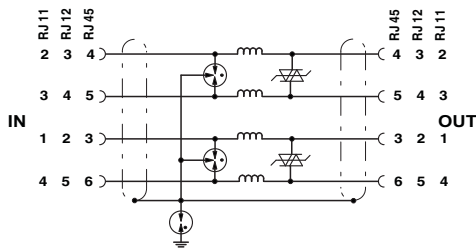
Approvals submitted

Approval details



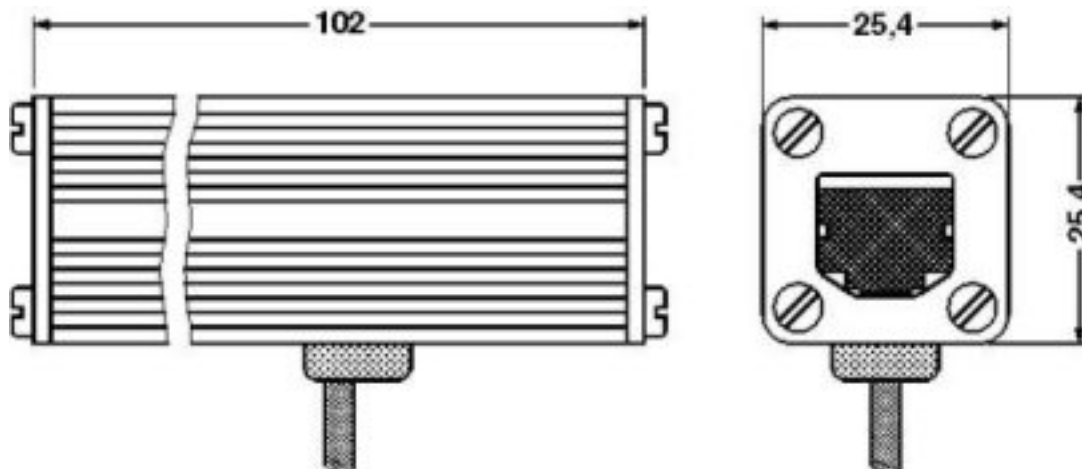
Drawings

Circuit diagram



Surge protection device - D-FM-A/RJ45-BB - 2818795

Dimensioned drawing



Schematic diagram

