



Chipsmall Limited consists of a professional team with an average of over 10 year of expertise in the distribution of electronic components. Based in Hongkong, we have already established firm and mutual-benefit business relationships with customers from,Europe,America and south Asia,supplying obsolete and hard-to-find components to meet their specific needs.

With the principle of "Quality Parts,Customers Priority,Honest Operation,and Considerate Service",our business mainly focus on the distribution of electronic components. Line cards we deal with include Microchip,ALPS,ROHM,Xilinx,Pulse,ON,Everlight and Freescale. Main products comprise IC,Modules,Potentiometer,IC Socket,Relay,Connector.Our parts cover such applications as commercial,industrial, and automotives areas.

We are looking forward to setting up business relationship with you and hope to provide you with the best service and solution. Let us make a better world for our industry!



Contact us

Tel: +86-755-8981 8866 Fax: +86-755-8427 6832

Email & Skype: info@chipsmall.com Web: www.chipsmall.com

Address: A1208, Overseas Decoration Building, #122 Zhenhua RD., Futian, Shenzhen, China



Surge protection device - D-LAN-A/RJ45-BS - 2818973


Please be informed that the data shown in this PDF Document is generated from our Online Catalog. Please find the complete data in the user's documentation. Our General Terms of Use for Downloads are valid (<http://phoenixcontact.com/download>)



Attachment connector with surge protection for LAN interfaces. Connection: RJ45 sockets

RoHS

Key Commercial Data

Packing unit	1 STK
GTIN	 4 017918 172275
GTIN	4017918172275

Technical data

Ambient conditions

Ambient temperature (operation)	-40 °C ... 80 °C
Degree of protection	IP20

General

Color	black
Standards for clearances and creepage distances	DIN VDE 0110-1
	IEC 60664-1
Overvoltage category	II
Degree of pollution	2
Type	Attachment plug
Direction of action	Line-Line & Line-Shield & Shield-Earth Ground

Protective circuit

IEC test classification	C1
	C2
	C3
	B2
VDE requirement class	C1
	C2

Surge protection device - D-LAN-A/RJ45-BS - 2818973

Technical data

Protective circuit

	C3
	B2
Maximum continuous voltage U_C	± 11 V DC
Nominal current I_N	1.5 A (25 °C)
Operating effective current I_C at U_C	≤ 1 mA
Residual current I_{PE}	≤ 1 μ A
Nominal discharge current I_n (8/20) μ s (line-line)	350 A
Nominal discharge current I_n (8/20) μ s (line-earth)	2.5 kA
Max. discharge current I_{max} (8/20) μ s maximum (line-line)	350 A
Max. discharge current I_{max} (8/20) μ s maximum (line-earth)	2.5 kA
Nominal pulse current I_{an} (10/700) μ s (line-line)	160 A
Nominal pulse current I_{an} (10/700) μ s (line-earth)	160 A
Output voltage limitation at 1 kV/ μ s (line-line) static	≤ 30 V
Output voltage limitation at 1 kV/ μ s (line-earth) static	≤ 500 V
Output voltage limitation (10/700) μ s (line-line)	≤ 12 V
Output voltage limitation (10/700) μ s (line-earth)	≤ 200 V
Residual voltage at I_n (line-line)	≤ 37 V
Residual voltage at I_n (line-earth)	≤ 70 V
Voltage protection level U_p (line-line)	≤ 30 V (C1 - 500 V / 250 A) ≤ 10 V (B2 - 4 kV / 100 A)
Voltage protection level U_p (line-earth)	≤ 400 V (C1 - 500 V / 250 A) ≤ 150 V (B2 - 4 kV / 100 A)
Voltage protection level U_p (shield-ground)	≤ 600 V (C2 - 4 kV / 2 kA)
Response time t_A (line-line)	≤ 500 ns
Response time t_A (line-earth)	≤ 100 ns
Input attenuation aE, asym.	1 dB (up to 100 MHz, 100 Ω system)
Near-end crosstalk attenuation	35 dB (pair 3-6 against pair 4-5 in 100 Ω system / 100 MHz)
Cut-off frequency f_g (3 dB), sym. in 100 Ohm system	> 100 MHz
Cut-off frequency f_g (3 dB), sym. in 150 Ohm system	> 100 MHz
Capacity (line-line)	20 pF (1 MHz)
Capacity (line-earth)	1 pF (1 MHz)
Surge protection fault message	none

Connection data

Connection method	RJ45
Connection method IN	RJ45 socket
Connection method OUT	RJ45 socket
Connection technology	Network interfaces (e.g. Ethernet, Token Ring and CDDI/FDDI)

Standards and Regulations

Standards/regulations	IEC 61643-21
-----------------------	--------------

Surge protection device - D-LAN-A/RJ45-BS - 2818973

Technical data

Standards and Regulations

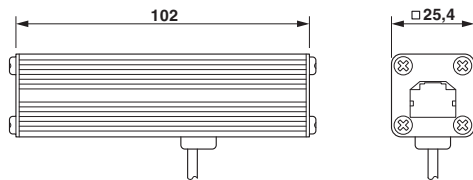
	EN 50173
--	----------

Environmental Product Compliance

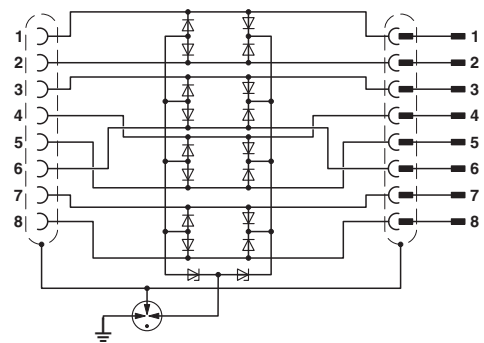
REACH SVHC	Lead 7439-92-1
China RoHS	Environmentally friendly use period: unlimited = EFUP-e
	No hazardous substances above threshold values

Drawings

Dimensional drawing



Circuit diagram



Approvals

Approvals

Approvals

UL Listed / EAC

Ex Approvals

Approval details

UL Listed		http://database.ul.com/cgi-bin/XYV/template/LISEXT/1FRAME/index.htm	FILE E 138168
-----------	--	---	---------------

EAC		RU C- DE.A*30.B01561
-----	--	-------------------------

Phoenix Contact 2018 © - all rights reserved
<http://www.phoenixcontact.com>

PHOENIX CONTACT GmbH & Co. KG
Flachmarktstr. 8
32825 Blomberg
Germany
Tel. +49 5235 300
Fax +49 5235 3 41200
<http://www.phoenixcontact.com>