



Chipsmall Limited consists of a professional team with an average of over 10 year of expertise in the distribution of electronic components. Based in Hongkong, we have already established firm and mutual-benefit business relationships with customers from,Europe,America and south Asia,supplying obsolete and hard-to-find components to meet their specific needs.

With the principle of "Quality Parts,Customers Priority,Honest Operation,and Considerate Service",our business mainly focus on the distribution of electronic components. Line cards we deal with include Microchip,ALPS,ROHM,Xilinx,Pulse,ON,Everlight and Freescale. Main products comprise IC,Modules,Potentiometer,IC Socket,Relay,Connector.Our parts cover such applications as commercial,industrial, and automotives areas.

We are looking forward to setting up business relationship with you and hope to provide you with the best service and solution. Let us make a better world for our industry!



## Contact us

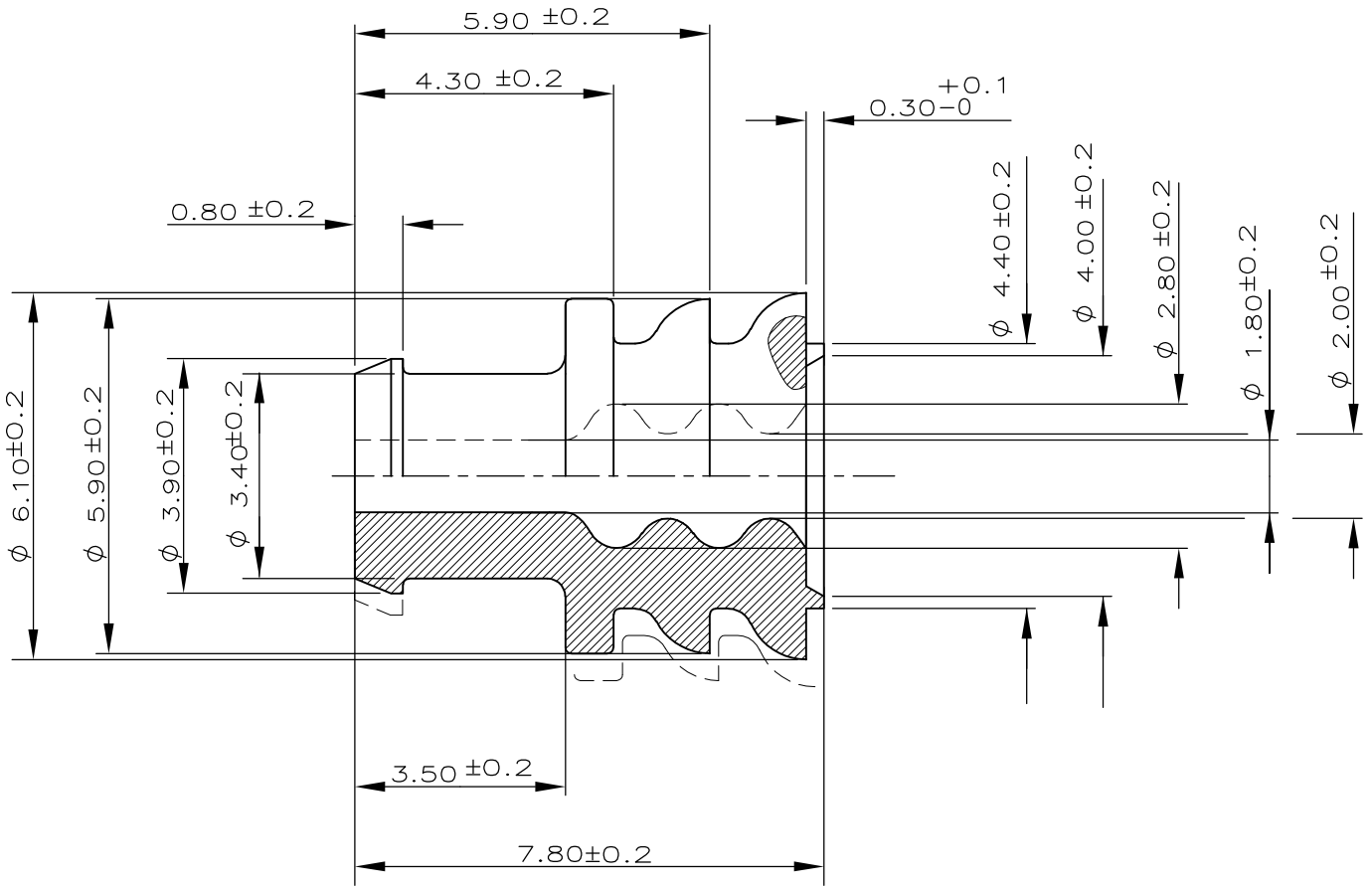
Tel: +86-755-8981 8866 Fax: +86-755-8427 6832

Email & Skype: info@chipsmall.com Web: www.chipsmall.com

Address: A1208, Overseas Decoration Building, #122 Zhenhua RD., Futian, Shenzhen, China



LOC I	DIST —	REVISIONS			
P	LTR	DESCRIPTION	DATE	DWN	APVD
	H1	REVISED PER ECO-11-005033	02APR11	RK	HMR



RELEASED FOR PUBLICATION

ALL RIGHTS RESERVED.

THIS DRAWING IS UNPUBLISHED.

By -  
COPYRIGHT -

**METRIC**

DIAM. ISOLANTE  
(INS. DIA. RANGE)  
2.5-3.3mm

RANGO FILO  
(WIRE RANGE)

ROSSO-RED

GOMMA AL SILICONE  
SILICONE RUBBER

281934-3

FINITURA / COLORE  
(FINISH / COLOUR)

MATERIALE  
(MATERIAL)

NUMERO  
(PART NUMBER)

CUSTOMER DWG.  
FOR REFERENCE ONLY

DISEGNO PER CLIENTE  
SOLO PER RIFERIMENTO

DIMENSIONS:  
mm

DWN  
C.BERTINI 10-89

MATERIAL - FINISH -

CHK  
A.BRUNI 10-89

APVD  
-

PRODUCT SPEC  
-

APPLICATION SPEC  
-

WEIGHT -

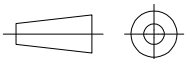
**TE** TE Connectivity

NAME  
WIRE SEAL

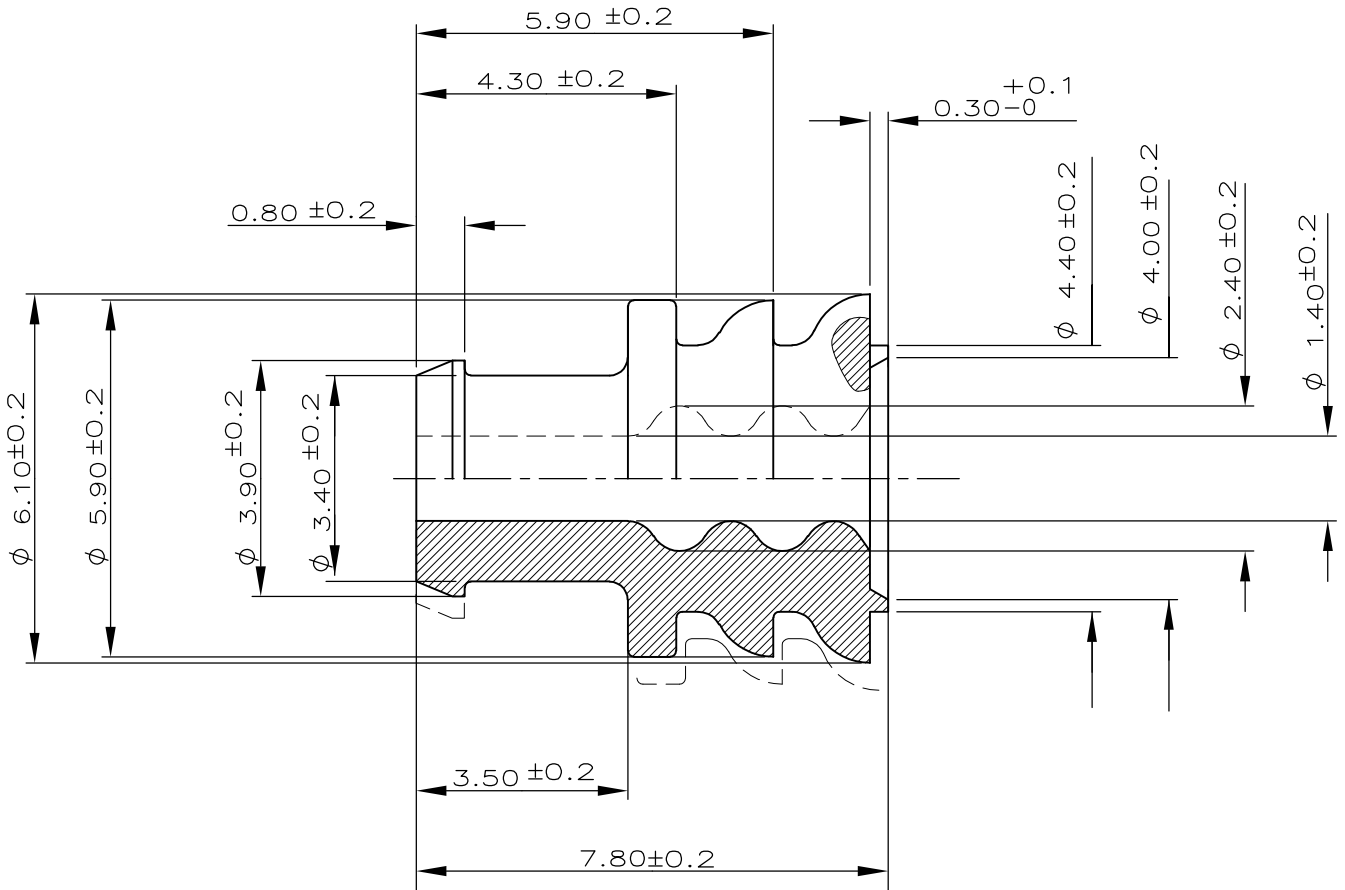
SIZE A4 CAGE CODE 00779 DRAWING NO C-281934 RESTRICTED TO -

CUSTOMER DRAWING SCALE - SHEET 1 OF 3 REV H1

- 0 PLC ± -
- 1 PLC ± 0.3
- 2 PLC ± -
- 3 PLC ± -
- 4 PLC ± -
- ANGLES ± 2°



LOC I	DIST —	REVISIONS			
P	LTR	DESCRIPTION	DATE	DWN	APVD
	—	SEE SHEET 1	—	—	—



RELEASED FOR PUBLICATION

ALL RIGHTS RESERVED.

THIS DRAWING IS UNPUBLISHED.

By —  
COPYRIGHT —

**METRIC**

DIAM. ISOLANTE  
(INS. DIA. RANGE)  
1.7—2.4mm

RANGO FILO  
(WIRE RANGE)

GIALLO—YELLOW

GOMMA AL SILICONE  
SILICONE RUBBER

281934—2

FINITURA / COLORE  
(FINISH / COLOUR)

MATERIALE  
(MATERIAL)

NUMERO  
(PART NUMBER)

CUSTOMER DWG.  
FOR REFERENCE ONLY

DISEGNO PER CLIENTE  
SOLO PER RIFERIMENTO

DIMENSIONS:

mm

TOLERANCES UNLESS  
OTHERWISE SPECIFIED:

- 0 PLC ± —
- 1 PLC ± 0.3
- 2 PLC ± —
- 3 PLC ± —
- 4 PLC ± —
- ANGLES ± 2°

DWN

CHK

APVD

PRODUCT SPEC

APPLICATION SPEC

WEIGHT

MATERIAL

FINISH



TE Connectivity

NAME

WIRE SEAL

SIZE

CAGE CODE

DRAWING NO

RESTRICTED TO

A4

00779

C-281934

—

CUSTOMER DRAWING

SCALE

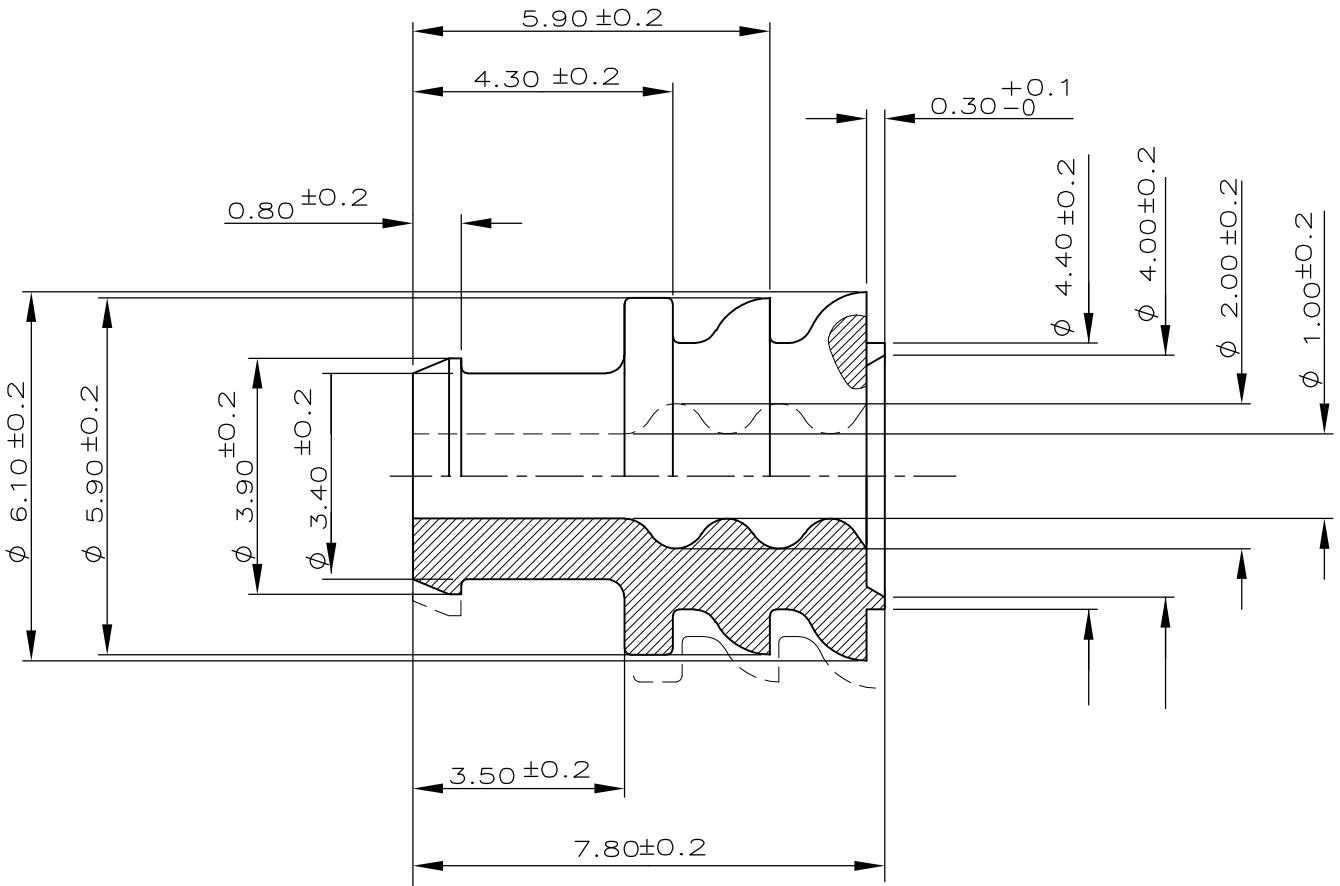
—

SHEET

2 OF 3

REV H1

LOC I	DIST —	REVISIONS			
P	LTR	DESCRIPTION	DATE	DWN	APVD
	—	SEE SHEET 1	—	—	—



RELEASED FOR PUBLICATION

ALL RIGHTS RESERVED.

THIS DRAWING IS UNPUBLISHED.

By —  
COPYRIGHT —


**METRIC**

DIAM. ISOLANTE  
(INS. DIA. RANGE)  
1.2–1.6mm

RANGO FILO  
(WIRE RANGE)

VERDE-GREEN	GOMMA AL SILICONE SILICONE RUBBER	281934-4
FINITURA / COLORE (FINISH / COLOUR)	MATERIALE (MATERIAL)	NUMERO (PART NUMBER)

CUSTOMER DWG. FOR REFERENCE ONLY	DISEGNO PER CLIENTE SOLO PER RIFERIMENTO
-------------------------------------	---

DIMENSIONS: mm	DWN	—	MATERIAL	—	FINISH	—
	CHK	—	 TE Connectivity			
TOLERANCES UNLESS OTHERWISE SPECIFIED:	APVD	—				
0 PLC ± — 1 PLC ± 0.3 2 PLC ± — 3 PLC ± — 4 PLC ± — ANGLES ± 2°	PRODUCT SPEC	—	NAME WIRE SEAL			
	APPLICATION SPEC	—	SIZE	CAGE CODE	DRAWING NO	RESTRICTED TO
WEIGHT	—	A4	00779	C-281934	—	—
CUSTOMER DRAWING			SCALE	—	SHEET	3 OF 3
					REV	H1