



Chipsmall Limited consists of a professional team with an average of over 10 year of expertise in the distribution of electronic components. Based in Hongkong, we have already established firm and mutual-benefit business relationships with customers from,Europe,America and south Asia,supplying obsolete and hard-to-find components to meet their specific needs.

With the principle of “Quality Parts,Customers Priority,Honest Operation,and Considerate Service”,our business mainly focus on the distribution of electronic components. Line cards we deal with include Microchip,ALPS,ROHM,Xilinx,Pulse,ON,Everlight and Freescale. Main products comprise IC,Modules,Potentiometer,IC Socket,Relay,Connector.Our parts cover such applications as commercial,industrial, and automotives areas.

We are looking forward to setting up business relationship with you and hope to provide you with the best service and solution. Let us make a better world for our industry!



Contact us

Tel: +86-755-8981 8866 Fax: +86-755-8427 6832

Email & Skype: info@chipsmall.com Web: www.chipsmall.com

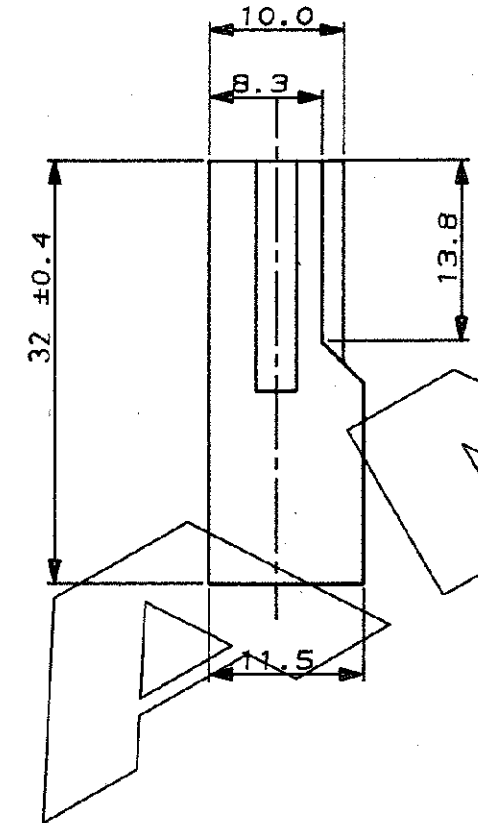
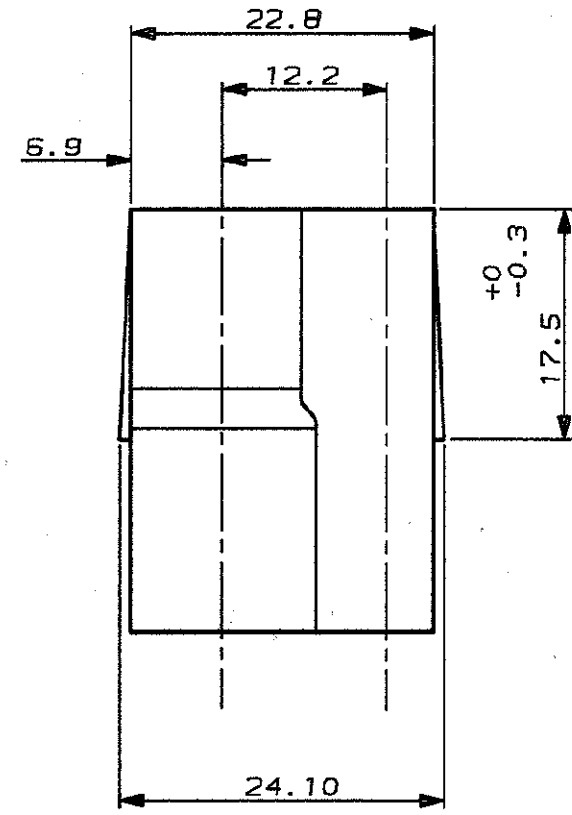
Address: A1208, Overseas Decoration Building, #122 Zhenhua RD., Futian, Shenzhen, China



SCALA NON IMPEGNATIVA
(DO NOT SCALE)
DIMENSIONI IN mm
(DIMENSIONS IN mm)

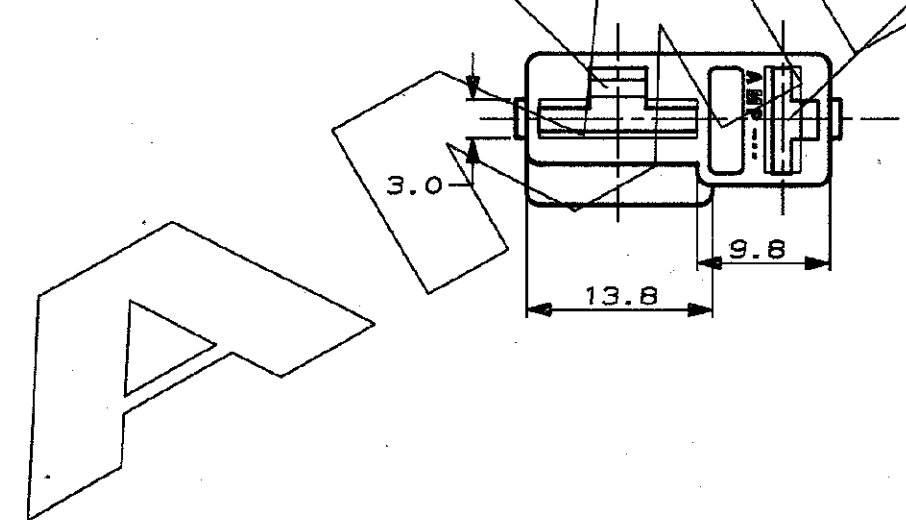
METRIC

PROIEZIONE EUROPEA
(EUROPEAN PROJECTION)



CAVITY SUITABLE FOR
.375 SRS.FASTIN-ON

CAVITY SUITABLE FOR
.250 SRS.FASTIN-ON



1 OBSOLETE PARTS: OBSOLETE CIS STREAMLINING PER D.RENAUD/D.SINISI

OBSOLETE	BLACK	PA 6-6 G.F.	281993-3
	RED		281993-2
	CLEAR		281993-1
FINITURA / COLORE (FINISH / COLOUR)		MATERIALE (MATERIAL)	NUMERO (PART NUMBER)

CUSTOMER DWG. FOR REFERENCE ONLY DISEGNO PER CLIENTE SOLO PER RIFERIMENTO

THIS DRAWING IS UNPUBLISHED RELEASE FOR PUBLICATION 19

© COPYRIGHT 1989 BY AMP INCORPORATED, HARRISBURG, PA. ALL INTERNATIONAL RIGHTS RESERVED. AMP PRODUCTS MAY BE COVERED BY U.S. AND FOREIGN PATENT AND/OR PATENT PENDING

TOLLERANZE, SE NON DIVERSAMENTE SPECIFICATO
(TOLERANCES, UNLESS OTHERWISE SPECIFIED)

± 0.3

ANGOLI (ANGLES) ± 2°

DIAM. ISOLANTE (INS. DIA. RANGE)	RANGO FILI (WIRE RANGE)	SCALA (SCALE)
-	-	2:1

AMP AMP ITALIA S.p.A.
Corso P.lli Cerri, 15
COLLENO (TORINO)

DESCRIZIONE (DESCRIPTION) 2 WAY FASTIN-ON REC.HOUSING (.250-.375 SRS.)

A1	REVISED PER ECO-09-026346	AEG	26 NOV 89	CONT. -
A	IN PRODUCTION			

LOC. SIZE NUMERO (DWG NO)	REV.	FOLIO (SHEET)
I A3 C-281993	A1	1 DI 1

DISTRIBUZIONE (PRINT-DIST.)