



Chipsmall Limited consists of a professional team with an average of over 10 year of expertise in the distribution of electronic components. Based in Hongkong, we have already established firm and mutual-benefit business relationships with customers from,Europe,America and south Asia,supplying obsolete and hard-to-find components to meet their specific needs.

With the principle of “Quality Parts,Customers Priority,Honest Operation,and Considerate Service”,our business mainly focus on the distribution of electronic components. Line cards we deal with include Microchip,ALPS,ROHM,Xilinx,Pulse,ON,Everlight and Freescale. Main products comprise IC,Modules,Potentiometer,IC Socket,Relay,Connector.Our parts cover such applications as commercial,industrial, and automotives areas.

We are looking forward to setting up business relationship with you and hope to provide you with the best service and solution. Let us make a better world for our industry!



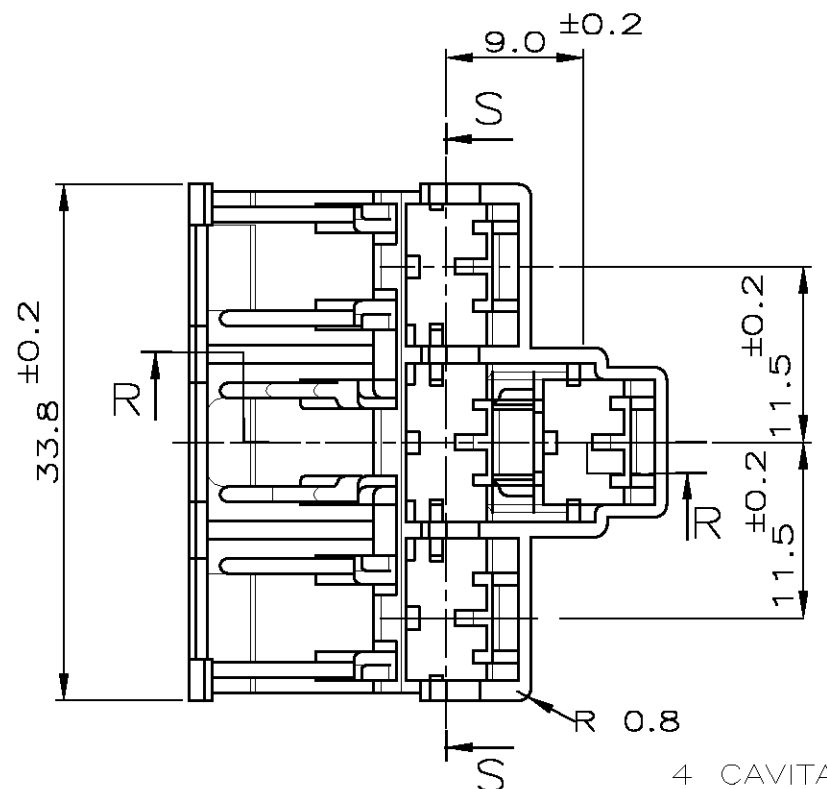
Contact us

Tel: +86-755-8981 8866 Fax: +86-755-8427 6832

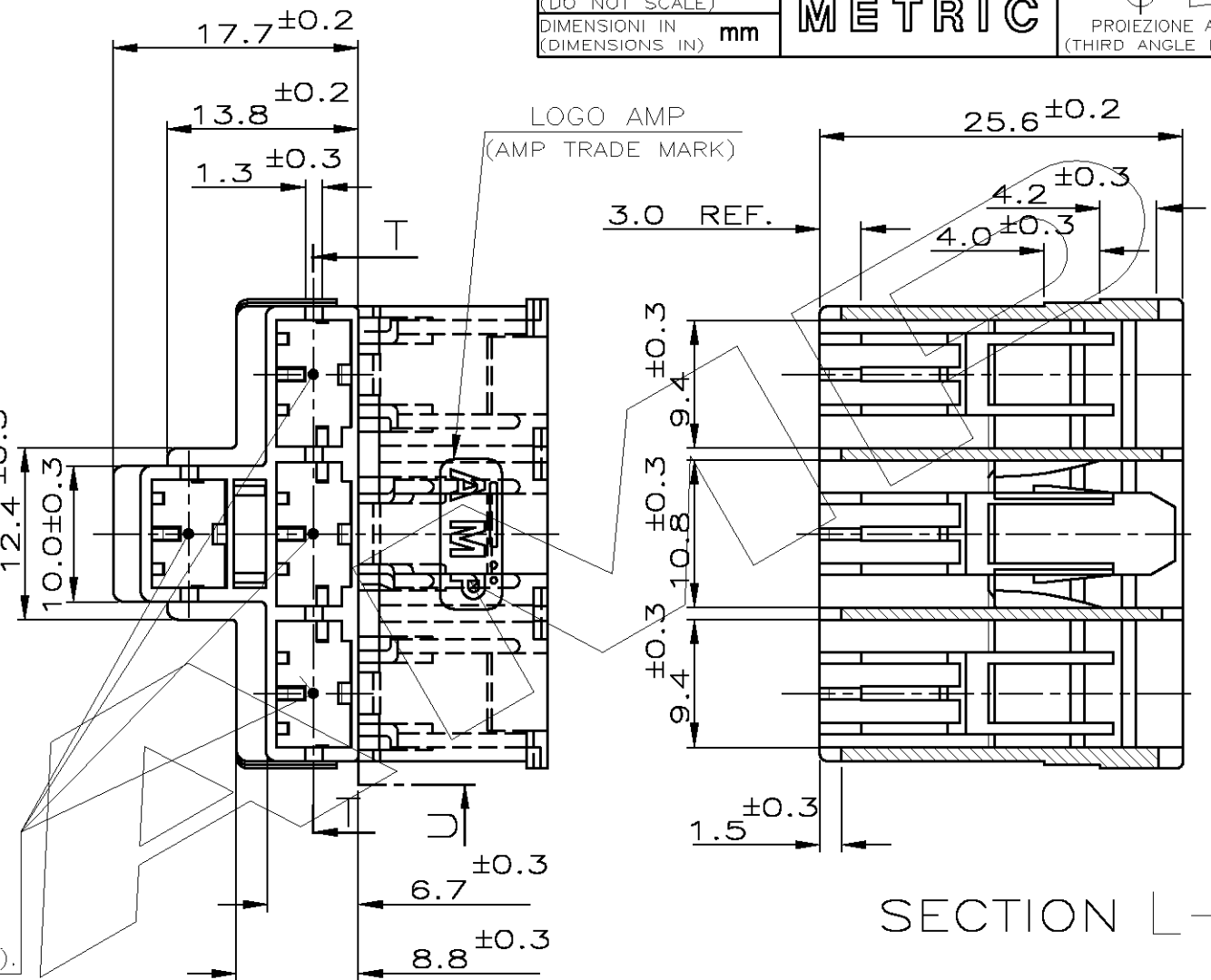
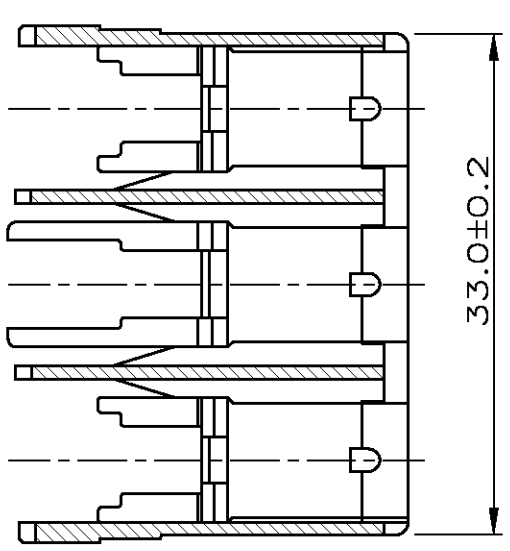
Email & Skype: info@chipsmall.com Web: www.chipsmall.com

Address: A1208, Overseas Decoration Building, #122 Zhenhua RD., Futian, Shenzhen, China





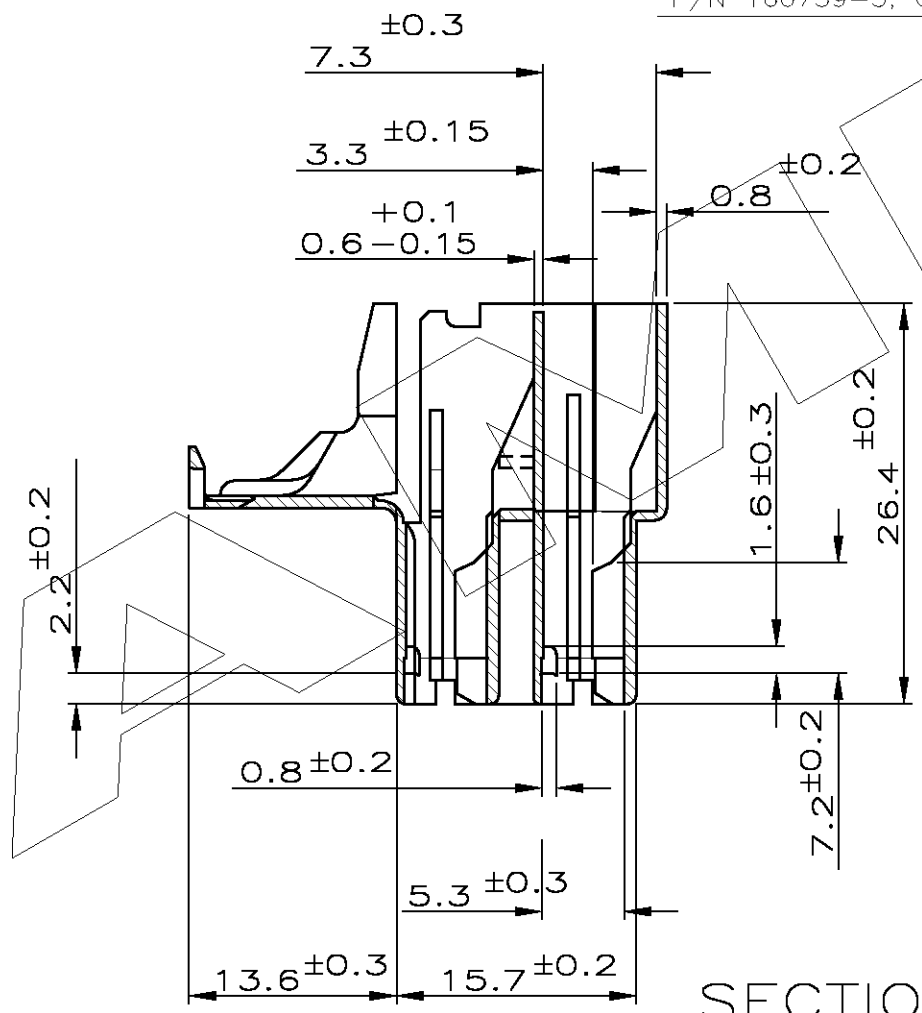
SECTION S-S



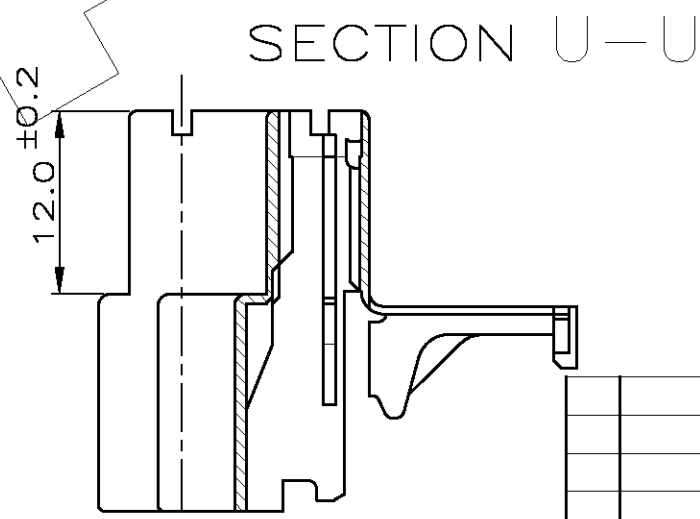
SECTION L-L

4 CAVITA' ADATTE PER TERMINALI AMP POSITIVE LOCK MK1 P/N 160759-3, O P/N 154717-3, O 790319-3.
 (4 CAVITIES SUITABLE FOR POSITIVE LOCK MK1 P/N 160759-3, OR P/N 154717-3, OR 790319-3).

1) PRODUCT SPECIFICATION 108-20089



SECTION R-R



SECTION U-U

	ARANCIO (ORANGE)	1-282011-0
	VIOLA (VIOLET)	282011-9
	GRIGIO (GREY)	282011-8
	MARRONE (BROWN)	282011-7
	NERO (BLACK)	282011-6
	GIALLO (YELLOW)	282011-5
	BLU (BLUE)	282011-4
	VERDE (GREEN)	282011-3
	ROSSO (RED)	282011-2
	NATURALE (CLEAR)	282011-1
OBSOLETE		

PA 6.6 NAT. (PA 6.6 UNFILLED)

FINITURA / COLORE (FINISH / COLOUR)	MATERIALE (MATERIAL)	NUMERO (PART NUMBER)
-------------------------------------	----------------------	----------------------

CUSTOMER DWG. FOR REFERENCE ONLY DISEGNO PER CLIENTE SOLO PER RIFERIMENTO

C1	REVISED FOR ET00-0154-98	M.P.
B	OBSOLETE P/Ns FROM 282011-2 TO P/N 1-282011-0 AS PER EC:ET00-0043-94	
A	IN PRODUZIONE	C. I. 1994
3	REVISED	C. I. 1990
2	REVISED	C. I. 1990
1	PROP.N. WAS 89-51306	C. I. 1989

THIS DRAWING IS UNPUBLISHED		RELEASE FOR PUBLICATION	19
© COPYRIGHT 19 BY AMP INCORPORATED, HARRISBURG, PA. ALL INTERNATIONAL RIGHT RESERVED. AMP PRODUCTS MAY BE COVERED BY U.S. AND FOREIGN PATENT AND/OR PATENT PENDING			
TOLLERANZE: SE NON DIVERSAMENTE SPECIFICATO (TOLERANCES: UNLESS OTHERWISE SPECIFIED)	DIAM. ISOLANTE (INS. DIA. RANGE)	RANGO FILO (WIRE RANGE)	SCALA (SCALE)
± 0.3	//	//	2:1
ANGOLI (ANGLES)	AMP AMP ITALIA S.p.A. Corso F.lli Cervi, 15 COLLEGNO (TORINO)		
DIS. 13.9.89 (DR.) C.IANNARELLI	DESCRIZIONE (DESCRIPTION) 4 WAY POSITIVE LOCK FOR IGNITION KEY WITH SEC. LOCK		
CONT. 29 JULY 1992 (CHK) C.TARTARI	LOC. SIZE	NUMERO (DWG NO)	REV. FOGLIO (SHEET) DI (OF)
APP. (APP.)	A3	C-282011	C1 1 (OF) 1

DISTRIBUZIONE (PRINT, DIST.)