



Chipsmall Limited consists of a professional team with an average of over 10 year of expertise in the distribution of electronic components. Based in Hongkong, we have already established firm and mutual-benefit business relationships with customers from,Europe,America and south Asia,supplying obsolete and hard-to-find components to meet their specific needs.

With the principle of "Quality Parts,Customers Priority,Honest Operation,and Considerate Service",our business mainly focus on the distribution of electronic components. Line cards we deal with include Microchip,ALPS,ROHM,Xilinx,Pulse,ON,Everlight and Freescale. Main products comprise IC,Modules,Potentiometer,IC Socket,Relay,Connector.Our parts cover such applications as commercial,industrial, and automotives areas.

We are looking forward to setting up business relationship with you and hope to provide you with the best service and solution. Let us make a better world for our industry!



## Contact us

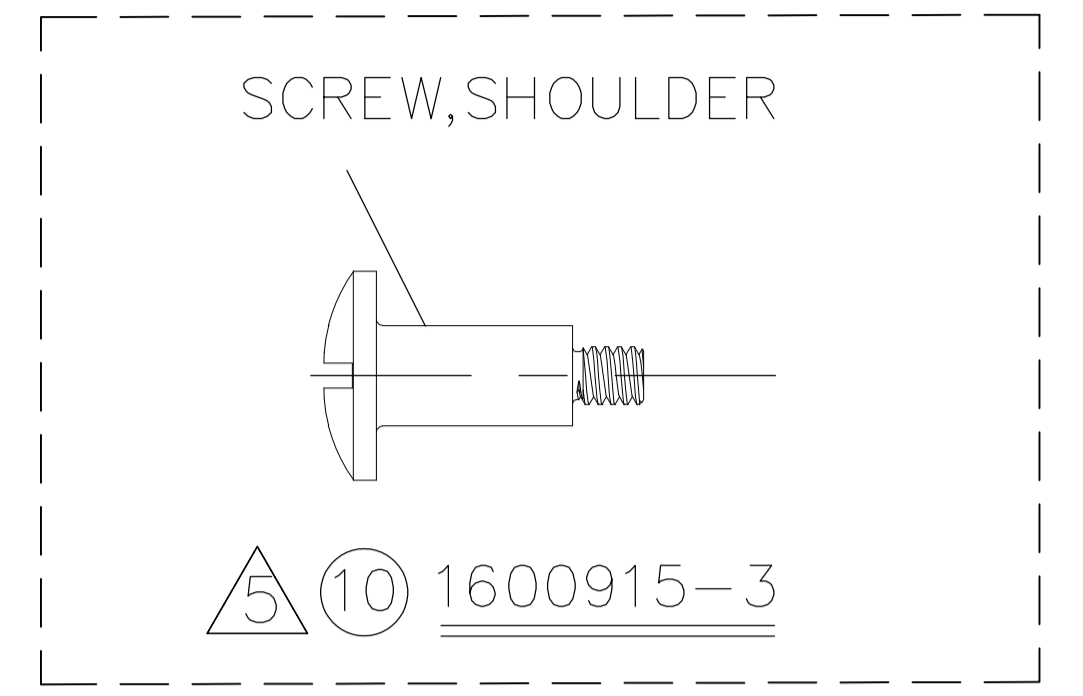
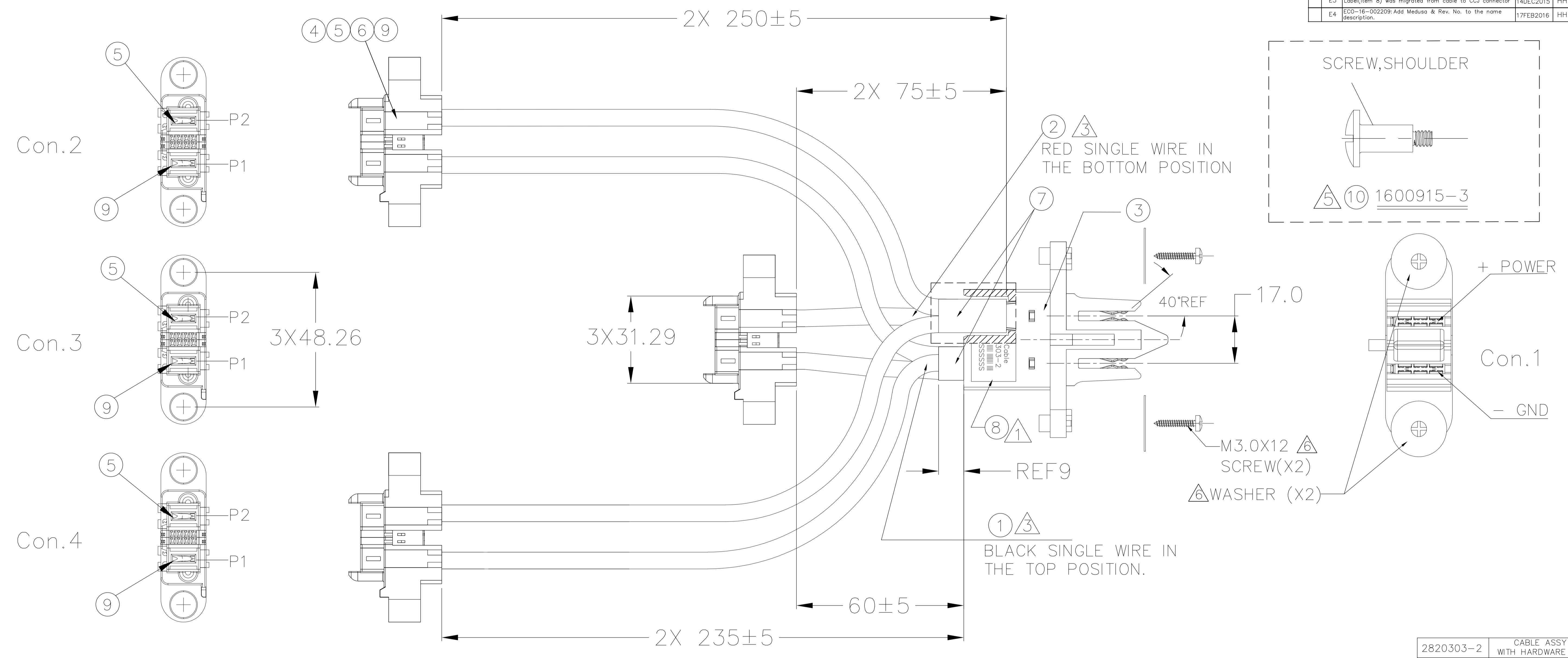
Tel: +86-755-8981 8866 Fax: +86-755-8427 6832

Email & Skype: info@chipsmall.com Web: www.chipsmall.com

Address: A1208, Overseas Decoration Building, #122 Zhenhua RD., Futian, Shenzhen, China

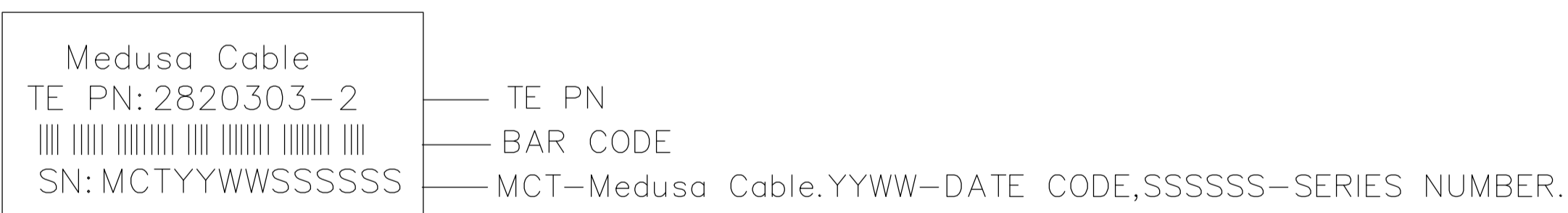


LOC	DIST	REVISIONS			
GP	00	REV	DESCRIPTION	DATE	APPV
		A	Release	28JUL2014	GL WW
		C	ECO-14-017071, Change to Barcode label.	11NOV2014	GL WW
		D	ECO-15-000967, Short Screw, Change Screw shoulder material.	16DEC2014	GL DZ
		E	Add package material: Anti-Static Ziplock Bag with label.	06FEB2015	GL DZ
		E3	Label (Item 8) was migrated from cable to CCJ connector	14DEC2015	HH GL
		E4	ECO-16-002209: Add Medusa & Rev. No. to the name description.	17FEB2016	HH AC

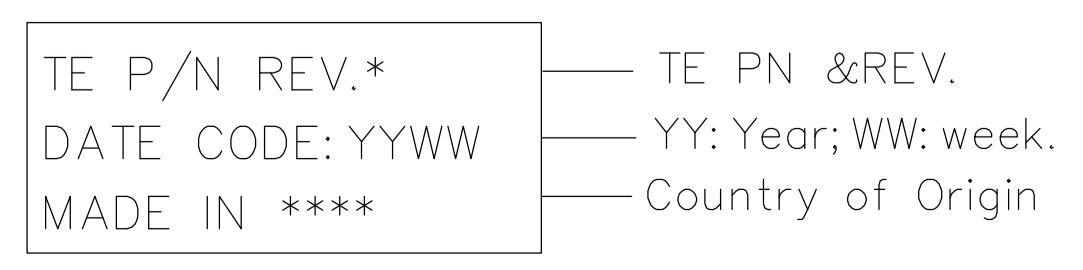


TE P/N	NOTE
2820303-2	CABLE ASSY WITH HARDWARE KIT
2820303-1	CABLE ASSY ONLY

NOTES:  
 1. THE MARKING TEXT AS FOLLOWS:



- 100% ELECTRICALLY TESTED: OPEN/SHORT, HI-POT. HI-POT: 500VDC, 50 MEGAOHMS FOR 100 MILLISECONDS.
- SINGLE WIRE WILL BE ALTERNATING PATTERN WHEN CRIMPING CCJ TERMINAL.
- ROHS COMPLIANCE: PRODUCT AND PROCESSING MEETS REQUIREMENTS OF TE SPECIFICATION TEC-138-702.
- HARDWARE KIT FOR MBXLE ONLY SCREW IS SUPPLIED BY TE. THE SCREWS WILL BE PACKAGED SEPARATELY. NUT WILL BE SUPPLIED BY CUSTOMER.
- SCREWS AND WASHERS FOR CCJ HOUSING WILL BE PACKAGED SEPARATELY.
- INDIVIDUALLY PACK EACH CABLE ASSEMBLY WITH A CLEAR ANTI-STATIC ZIPLOCK BAG.
- APPLY LABEL ONTO CLEAR ANTI-STATIC ZIPLOCK BAG, THE MARKING TEXT AS FOLLOWS:



WIRING CHART

FROM	TO	COLOR	SIZE
Con.2-P1	Con.1 - GND	BLACK	8 AWG
Con.3-P1			
Con.4-P1			
Con.2-P2	Con.1 + POWER	RED	8 AWG
Con.3-P2			
Con.4-P2			

REV	QTY	PC	DESCRIPTION	ITEM NO
1	1	PC	LABEL ON THE ANTI-STATIC ZIPLOCK BAG.	12
1	1	PC	CLEAR ANTI-STATIC ZIPLOCK BAG.	11
6	6	PC	HARDWARE KIT FOR X,Y FLOATING SCREW, SHOULDER.	10
3	3	PC	MBXLE RECEPT POWER CONTACT MFBL.	9
1	1	PC	LABEL	8
AR	AR	M	HEAT SHRINK TUBE	7
6	6	PC	MBXLE RECEPT POWER LOCK.	6
3	3	PC	MBXLE RECEPT POWER CONTACT STD.	5
3	3	PC	MBXLE RECEPT PMT CABLE HOUSING 1P/8S/1P	4
1	1	PC	CCJ CONNECTOR.	3
AR	AR	FT	WIRE, 8AWG, HIGH STRAND/HIGH FLEX, RED. VENDOR: Hwatek. Alternative: New England.	2
AR	AR	FT	WIRE, 8AWG, HIGH STRAND/HIGH FLEX, BLACK. VENDOR: Hwatek. Alternative: New England.	1
-2	-1	U/M		

THIS DRAWING IS A CONTROLLED DOCUMENT.

DIMENSIONS: mm	TOLERANCES UNLESS OTHERWISE SPECIFIED:	DWN: Grace Li 04DEC2013	CHK: Glen Gutgold 04DEC2013	APPR: David Zhang 04DEC2013	NAME: CABLE ASSY, CUBBY POWER Medusa, E4
0 PLC ±	1 PLC ± 0.40	PRODUCT SPEC: 108-2157/152000		SIZE: 114-13112	RESTRICTED TO: -
2 PLC ± 0.25	3 PLC ±	APPLIC. SPEC: 114-13112	SCALE: N.T.S.	WEIGHT: 288 Grams	SHEET 1 OF 1
4 PLC ±	ANGLES ±	FINISH: -	CUSTOMER DRAWING	00779	REV E4