



Chipsmall Limited consists of a professional team with an average of over 10 year of expertise in the distribution of electronic components. Based in Hongkong, we have already established firm and mutual-benefit business relationships with customers from,Europe,America and south Asia,supplying obsolete and hard-to-find components to meet their specific needs.

With the principle of “Quality Parts,Customers Priority,Honest Operation,and Considerate Service”,our business mainly focus on the distribution of electronic components. Line cards we deal with include Microchip,ALPS,ROHM,Xilinx,Pulse,ON,Everlight and Freescale. Main products comprise IC,Modules,Potentiometer,IC Socket,Relay,Connector.Our parts cover such applications as commercial,industrial, and automotives areas.

We are looking forward to setting up business relationship with you and hope to provide you with the best service and solution. Let us make a better world for our industry!



Contact us

Tel: +86-755-8981 8866 Fax: +86-755-8427 6832

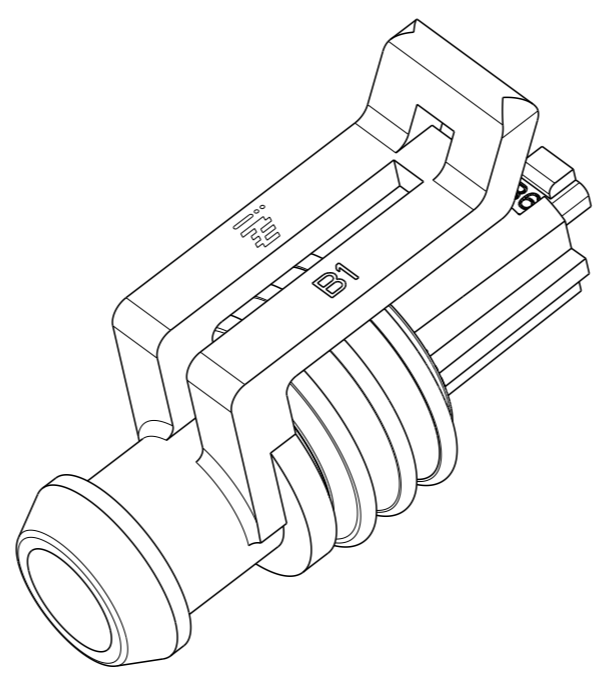
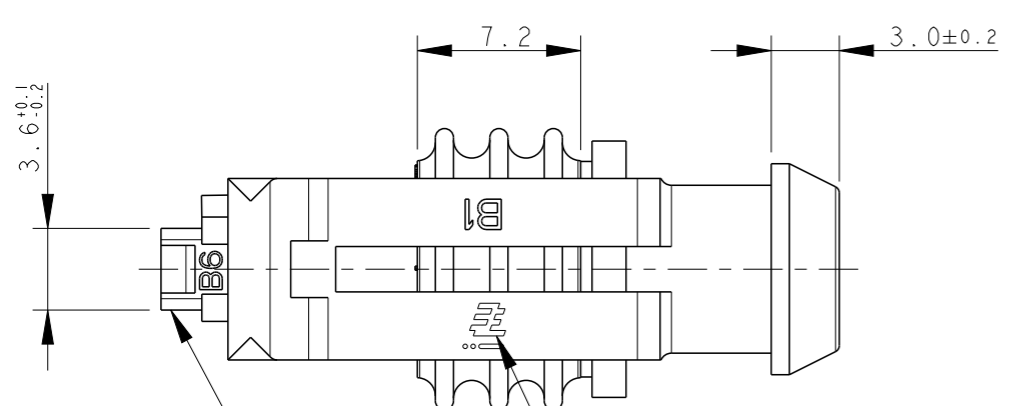
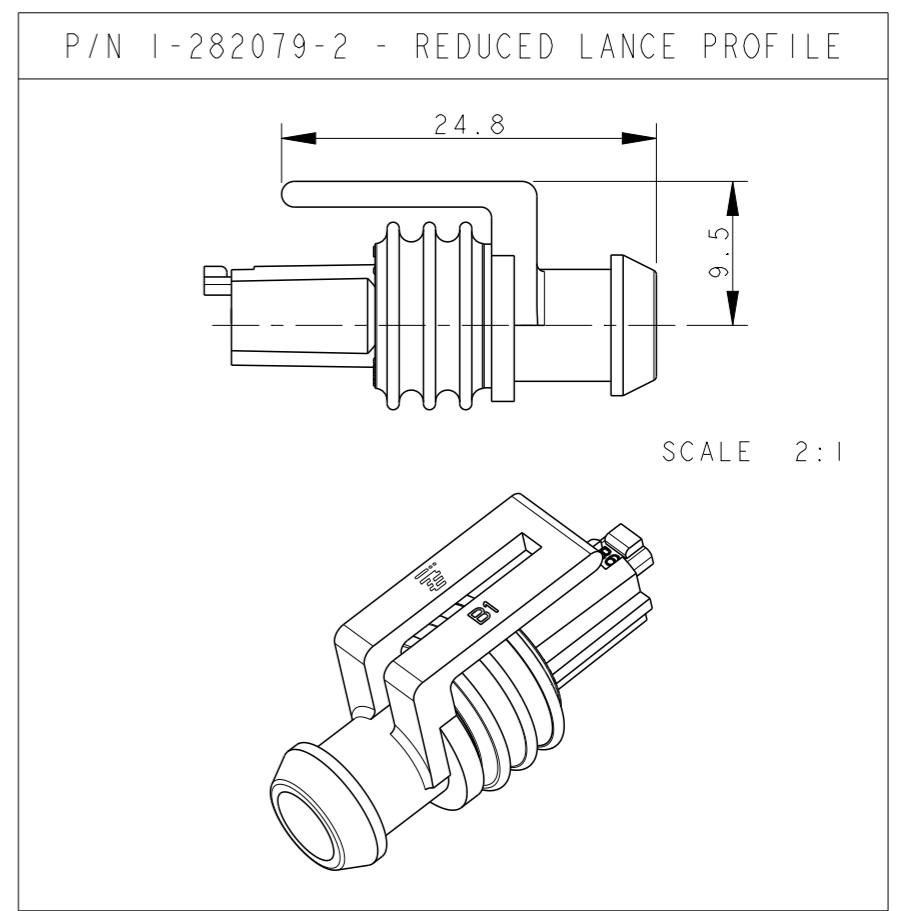
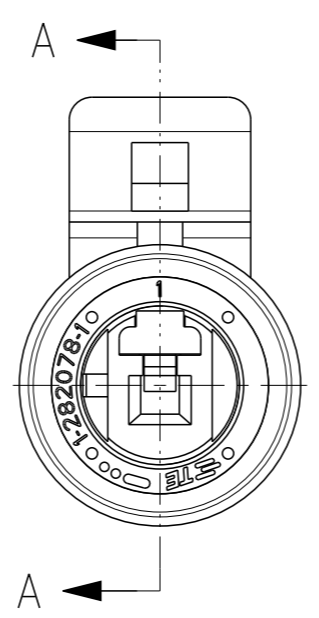
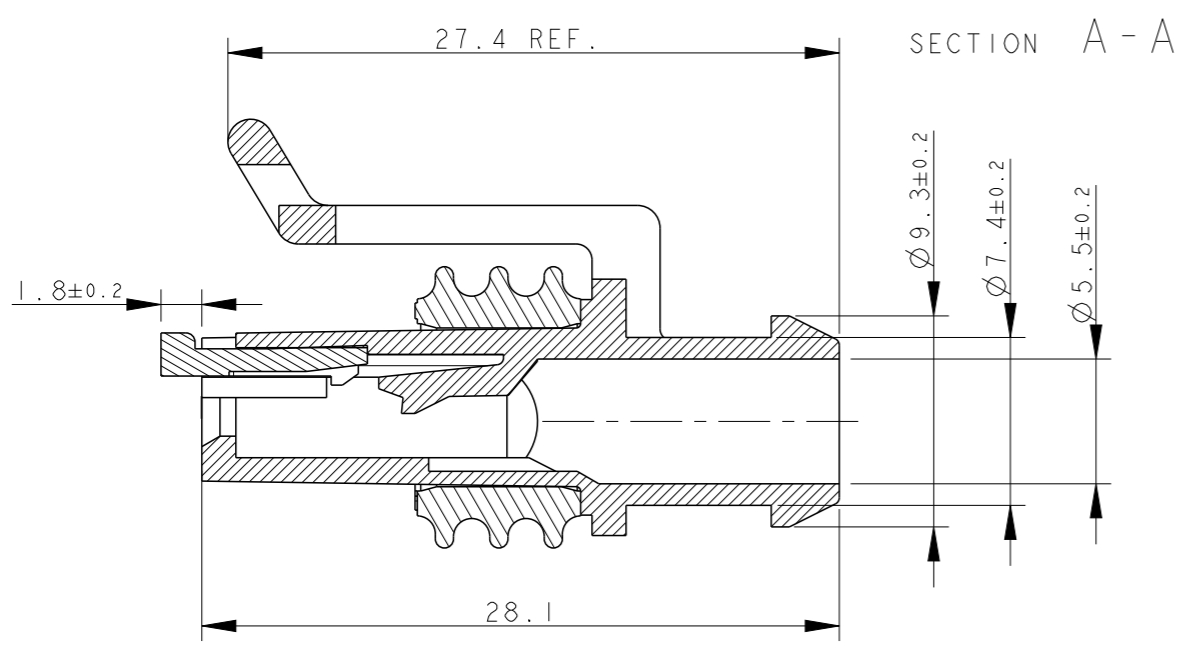
Email & Skype: info@chipsmall.com Web: www.chipsmall.com

Address: A1208, Overseas Decoration Building, #122 Zhenhua RD., Futian, Shenzhen, China



THIS DRAWING IS UNPUBLISHED. RELEASED FOR PUBLICATION 2011
 © COPYRIGHT 2011 ALL RIGHTS RESERVED.

LOC	DIST	REVISIONS			
P	LTR	DESCRIPTION	DATE	DWN	APVD
	C1	REVISED FOR ET00-0008-04	20JAN2004	P.Z.	R.M.
	F	REVISED BY ECR-11-024280	13DEC2011	M.F.	M.G.
	F1	ADDED PN 2-..-2 (ECR-13-002497)	20FEB2013	M.G.	M.G.



TE CONNECTIVITY TRADE MARK, (IN ALTERNATIVE: "AMP" LOGO, OR "Tyco Electronics" LOGO)

SEALING (SILICONE RUBBER)

PRE-ASSEMBLED SECONDARY LOCK (RED COLOR)

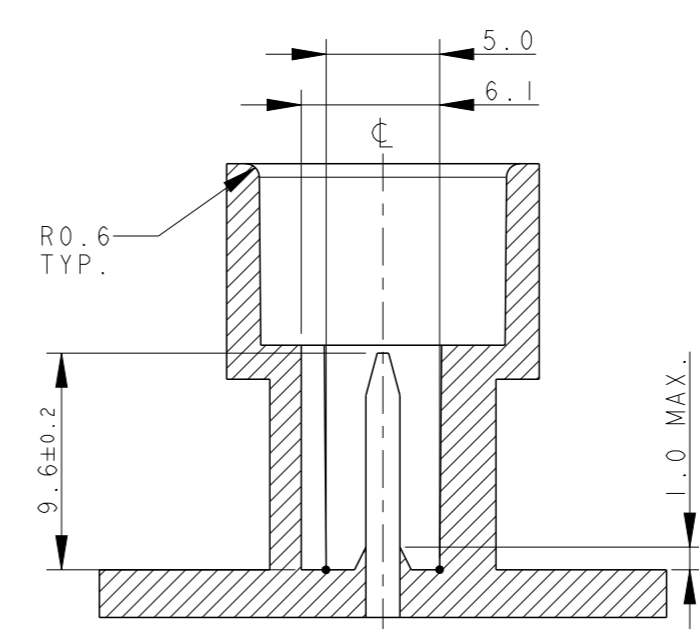
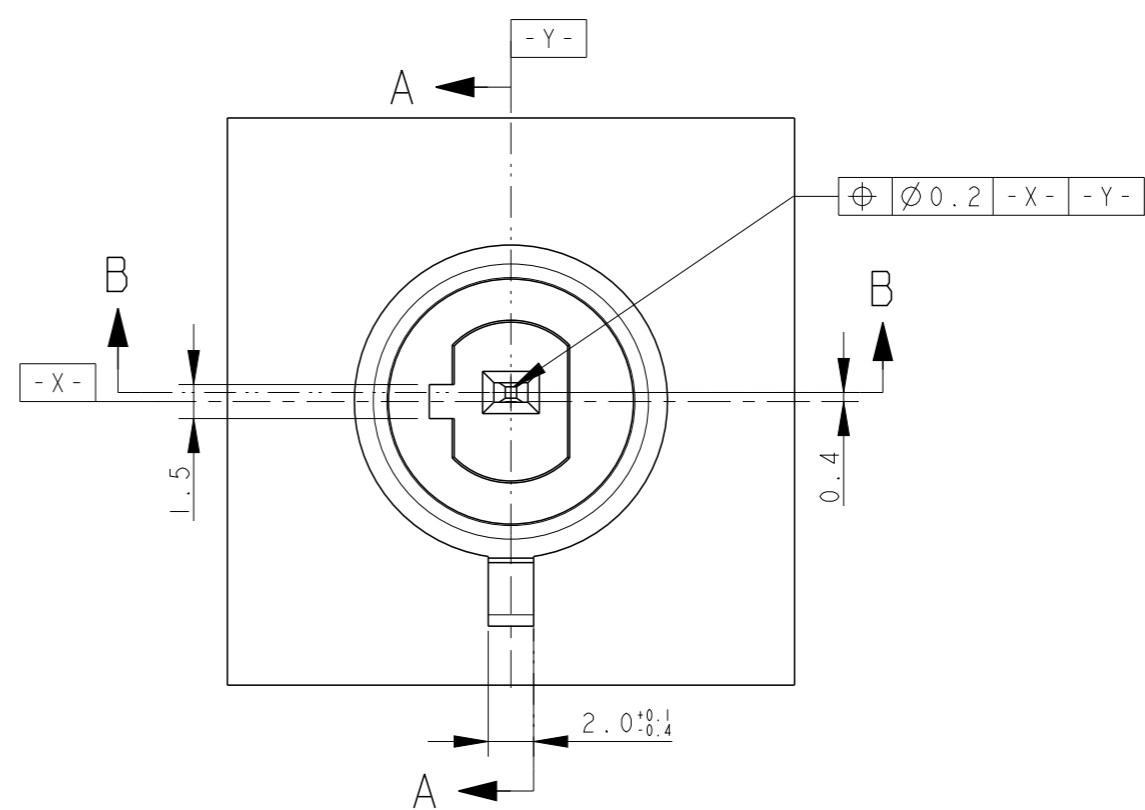
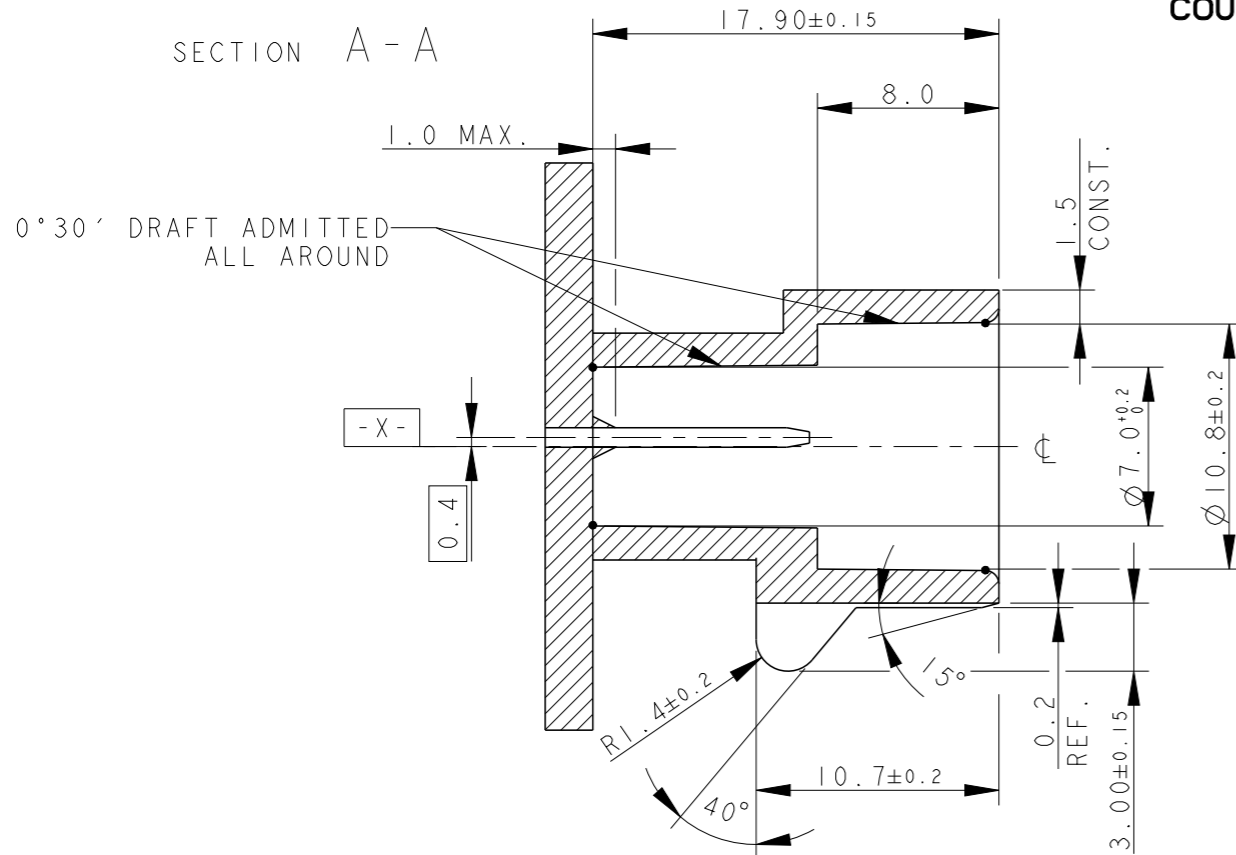
⚠ WARNING: LOW RETENTION FORCE OF SEALING ON HOUSING (<9N)
 2) FOR COUNTERPART DETAILS, SEE SHEET 2 OF 2

NOTE	FINISH/COLOR	MATERIAL	PART NUMBER
⚠	HOUSING: BLACK SEALING: NATURAL	HOUSING+SEC.LOCK: PA 66-GF SEALING: LSR (4% OIL CONTENT)	2-282079-2
	HOUSING: BLACK SEALING: YELLOW		1-282079-2
	HOUSING: GRAY SEALING: YELLOW	HOUSING+SEC.LOCK: PA 66-GF SEALING: LSR (NO OIL CONTENT)	282079-3
	HOUSING: BLACK SEALING: YELLOW		282079-2

THIS DRAWING IS A CONTROLLED DOCUMENT.		DWN C. BERTINI 05-1992			
DIMENSIONS: mm		CHK A. BRUNI 05-1992			
TOLERANCES UNLESS OTHERWISE SPECIFIED:		APVD -		NAME AMP SUPERSEAL 1.5 SRS. 1 POSITION PLUG ASS'Y	
0 PLC ±-		PRODUCT SPEC 108-20090		SIZE A300779	
1 PLC ±0.3		APPLICATION SPEC 412-20000		CAGE CODE G-282079	
2 PLC ±-		WEIGHT 1.55gr		DRAWING NO	
3 PLC ±-		Customer Drawing		RESTRICTED TO	
4 PLC ±-		SCALE 3:1		SHEET 1 OF 2	
ANGLES ±2°		REV F1			
FINISH -					

LOC	DIST	REVISIONS					
		P	LTR	DESCRIPTION	DATE	DWN	APVD
1	-	-	-	SEE SHEET 1	-	-	-

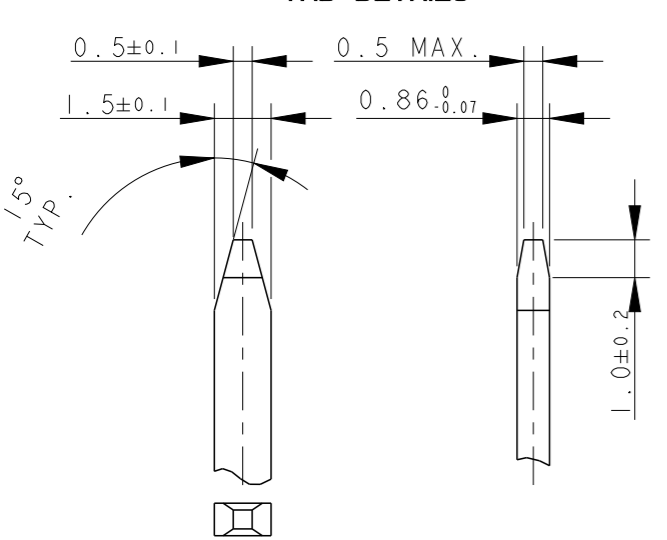
COUNTERPART DETAILS



SECTION B-B

△ MATERIALS: PA66-GF FOR HOUSING
TIN PLATED BRASS FOR TABS

TAB DETAILS



THIS DRAWING IS A CONTROLLED DOCUMENT.		DWN C. BERTINI 05-1992	TE Connectivity	
DIMENSIONS: mm		CHK A. BRUNI 05-1992		
TOLERANCES UNLESS OTHERWISE SPECIFIED:		APVD -	NAME AMP SUPERSEAL 1.5 SRS. 1 POSITION PLUG ASS'Y	
0 PLC ±0.3		PRODUCT SPEC -	SIZE A300779	
1 PLC ±0.1		APPLICATION SPEC -	CAGE CODE G-282079	DRAWING NO -
2 PLC ±0.05		WEIGHT -	RESTRICTED TO -	
3 PLC ±		Customer Drawing		
4 PLC ±		SCALE - SHEET 2 OF 2 REV F1		
ANGLES ±2°				
FINISH △				