



Chipsmall Limited consists of a professional team with an average of over 10 year of expertise in the distribution of electronic components. Based in Hongkong, we have already established firm and mutual-benefit business relationships with customers from,Europe,America and south Asia,supplying obsolete and hard-to-find components to meet their specific needs.

With the principle of “Quality Parts,Customers Priority,Honest Operation,and Considerate Service”,our business mainly focus on the distribution of electronic components. Line cards we deal with include Microchip,ALPS,ROHM,Xilinx,Pulse,ON,Everlight and Freescale. Main products comprise IC,Modules,Potentiometer,IC Socket,Relay,Connector.Our parts cover such applications as commercial,industrial, and automotives areas.

We are looking forward to setting up business relationship with you and hope to provide you with the best service and solution. Let us make a better world for our industry!



Contact us

Tel: +86-755-8981 8866 Fax: +86-755-8427 6832

Email & Skype: info@chipsmall.com Web: www.chipsmall.com

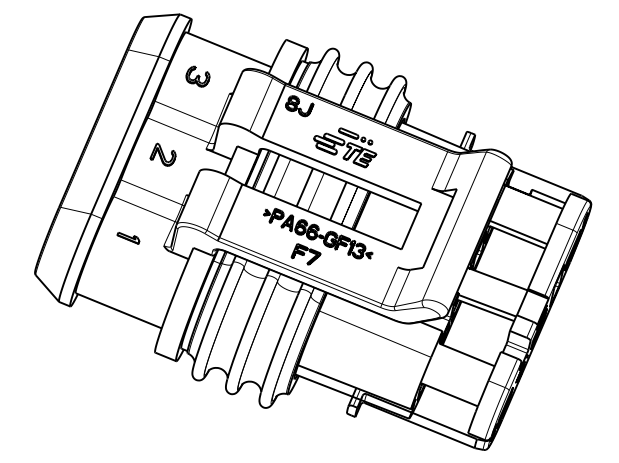
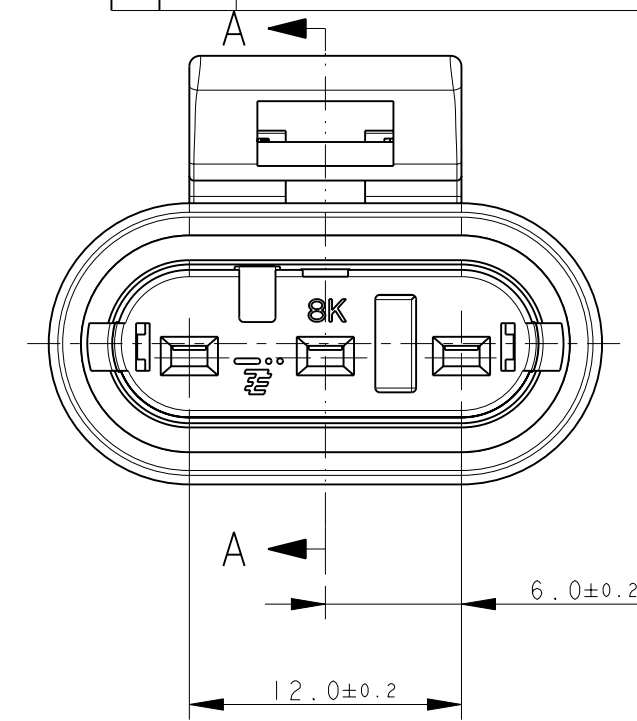
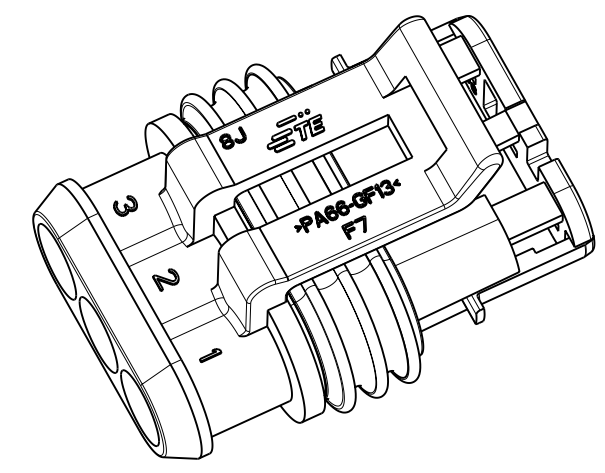
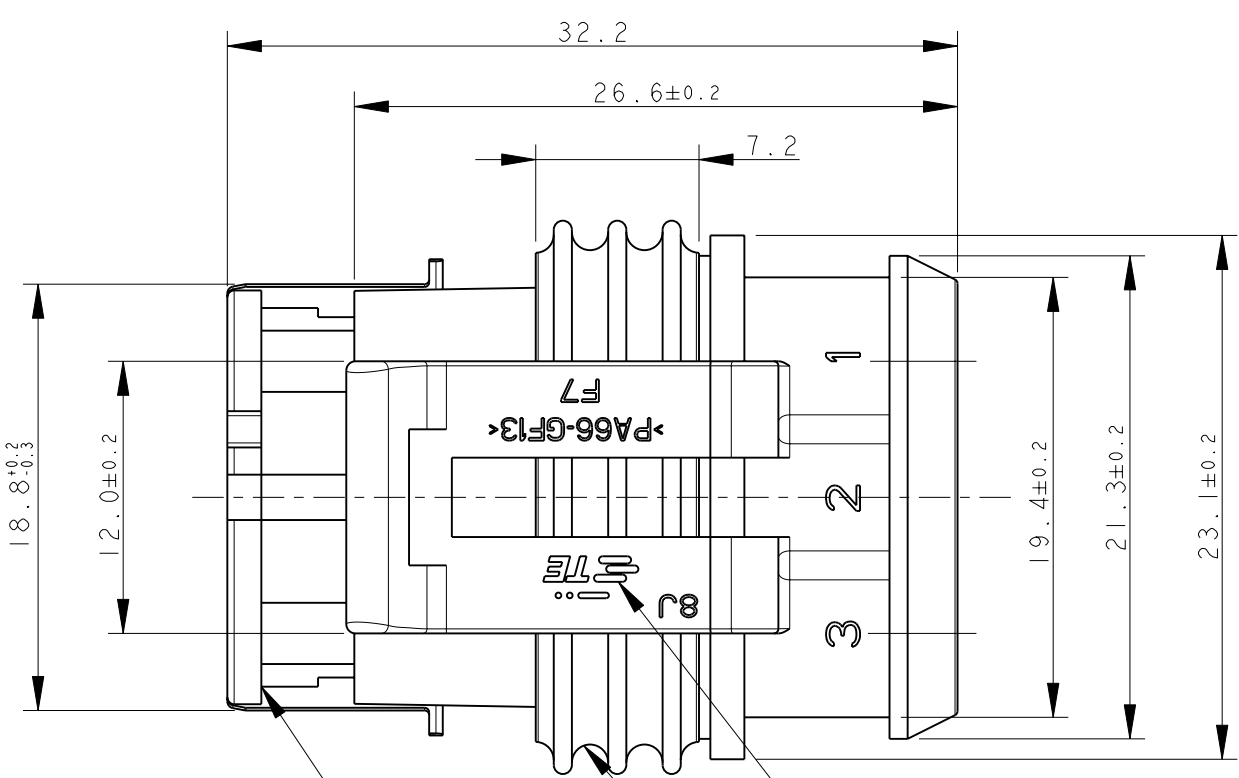
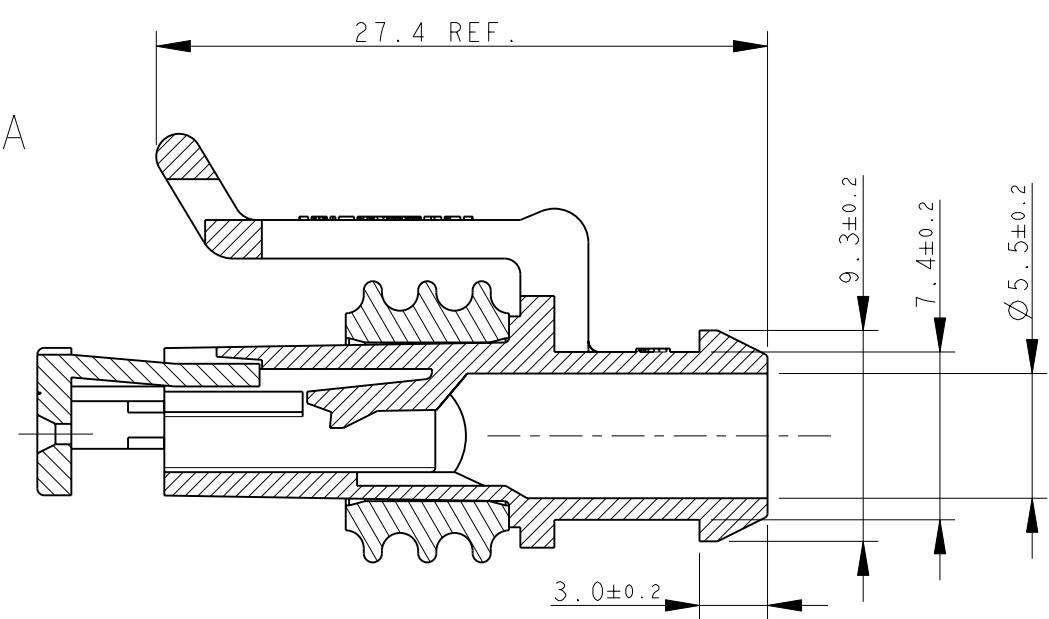
Address: A1208, Overseas Decoration Building, #122 Zhenhua RD., Futian, Shenzhen, China



THIS DRAWING IS UNPUBLISHED. RELEASED FOR PUBLICATION 2011
 © COPYRIGHT 2011 ALL RIGHTS RESERVED.

LOC	DIST	REVISIONS			
P	LTR	DESCRIPTION	DATE	DWN	APVD
		B4	REVISED PER ECO-11-005033	02APR2011	RK HMR
		B5	REVISED BY ECR-11-024280	13DEC2011	M.F. M.G.

SECTION A-A



1) FOR COUNTERPART DETAILS, SEE SHEET 2 OF 2

GRAY	PA66-GF	282087-2
BLACK	PA66-GF	282087-1
FINISH/COLOR	MATERIAL	PART NUMBER

TE CONNECTIVITY TRADE MARK
 (IN ALTERNATIVE: "AMP" LOGO OR "Tyco Electronics" LOGO)

SEALING
 (SILICONE RUBBER)

PRE-ASSEMBLED SECONDARY LOCK
 (RED COLOR)

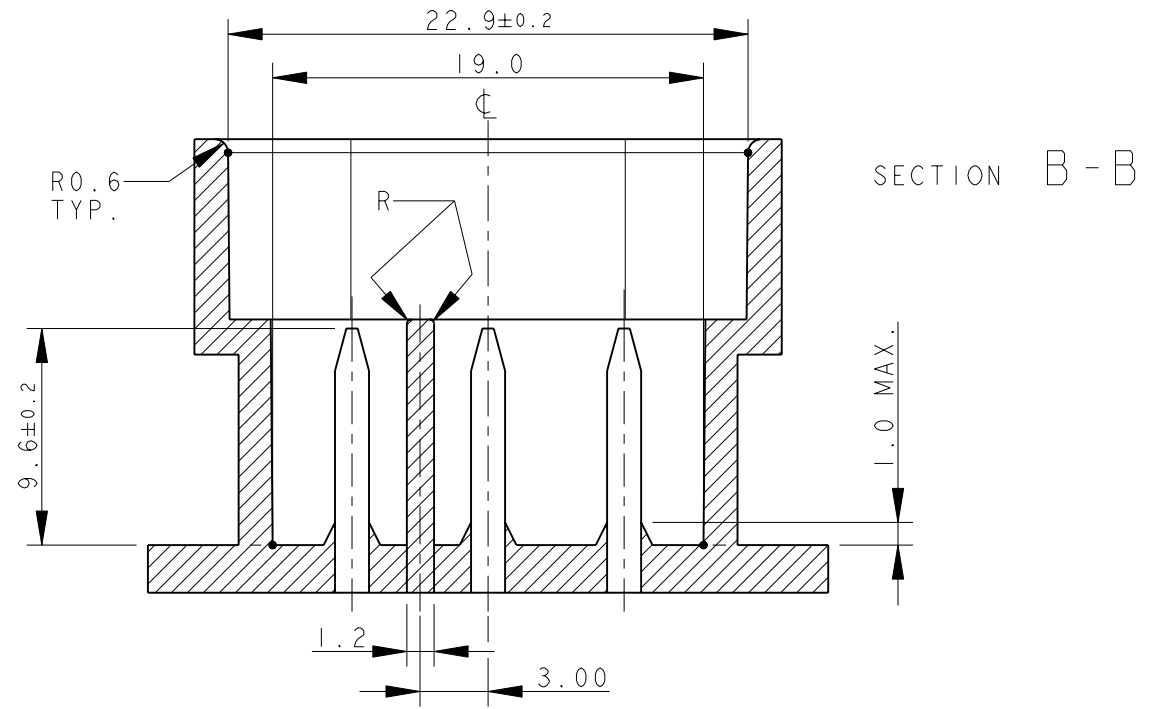
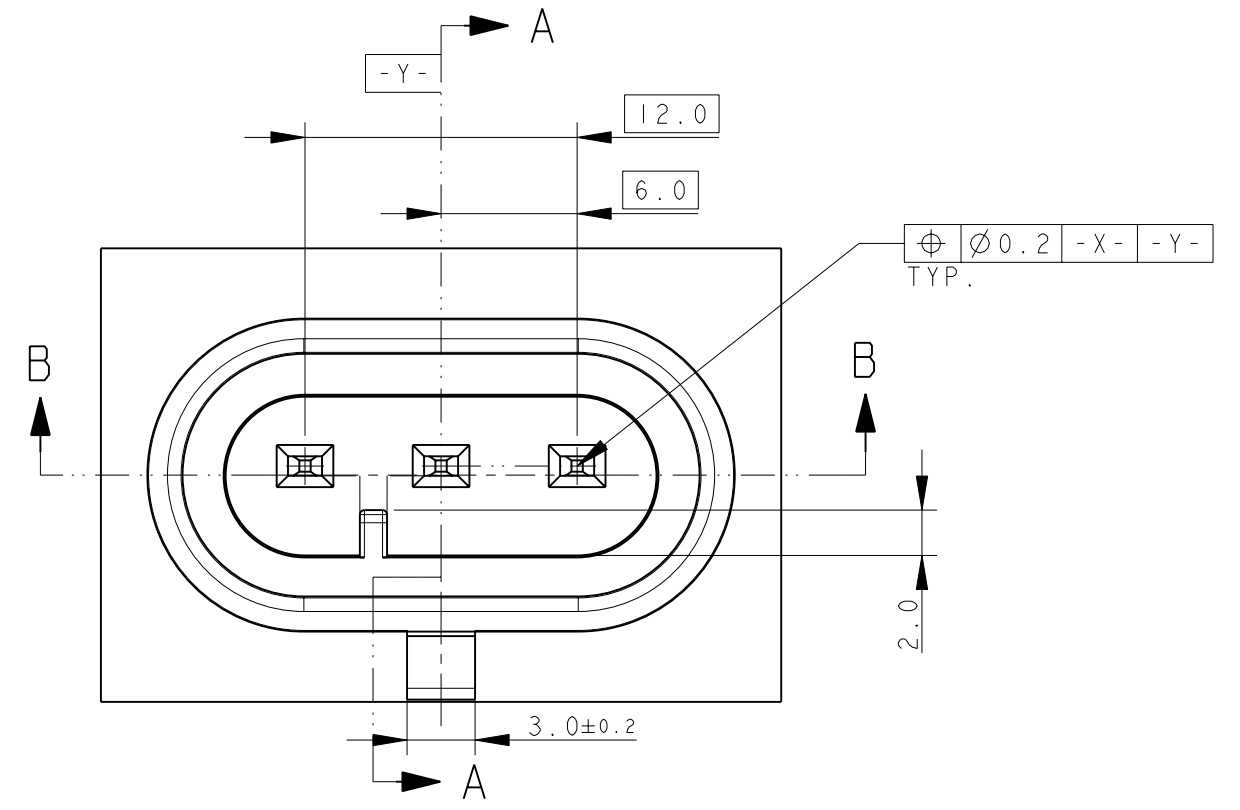
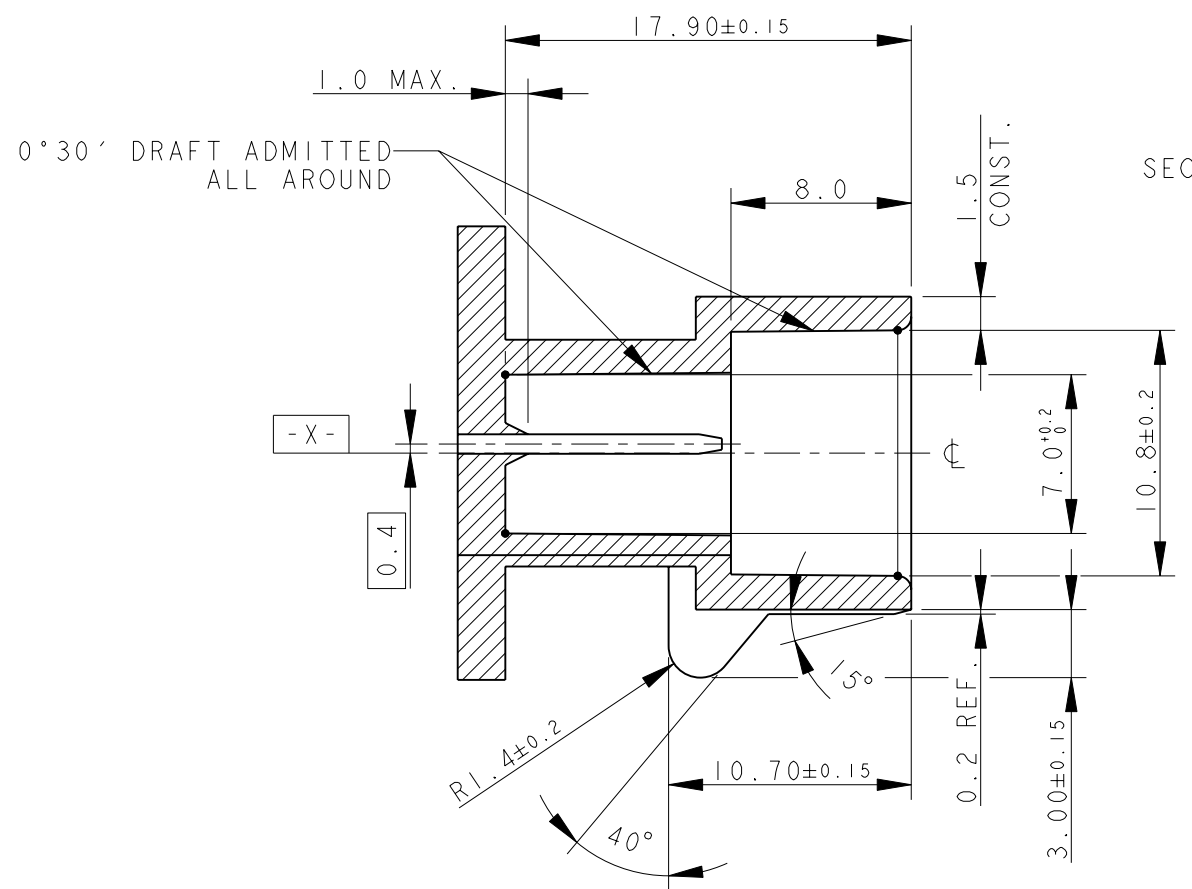
THIS DRAWING IS A CONTROLLED DOCUMENT.		DWN	C. BERTINI	07-1990	TE Connectivity	
		CHK	A. BRUNI	07-1990		
		APVD	-	-	NAME	
		PRODUCT SPEC			AMP SUPERSEAL 1.5 SRS.	
		APPLICATION SPEC			3 POSITIONS PLUG ASS'Y	
		WEIGHT			SIZE	RESTRICTED TO
		3.65gr			A300779	C=282087
		CUSTOMER DRAWING			SCALE	SHEET 1 OF 2
						REV B5

DIMENSIONS:		TOLERANCES UNLESS OTHERWISE SPECIFIED:	
mm			
	0 PLC	±	
	1 PLC	±0.3	
	2 PLC	±	
	3 PLC	±	
	4 PLC	±	
ANGLES	±2°		
MATERIAL	-	FINISH	-

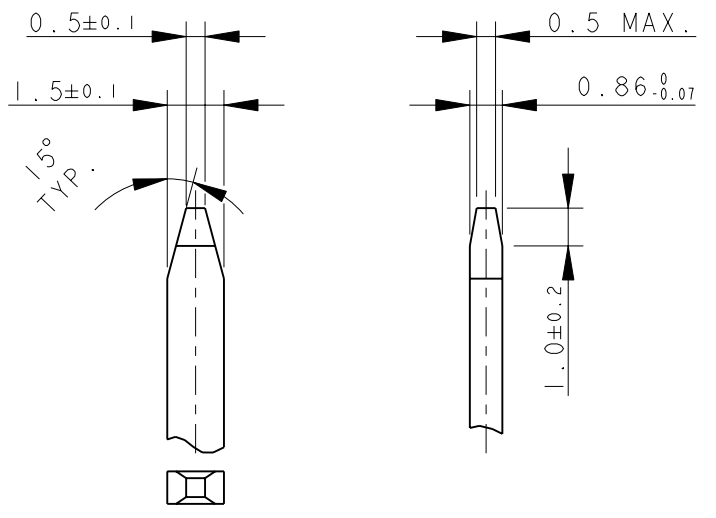
THIS DRAWING IS UNPUBLISHED. RELEASED FOR PUBLICATION 2011
 © COPYRIGHT 2011 ALL RIGHTS RESERVED.

LOC	DIST	REVISIONS			
P	LTR	DESCRIPTION	DATE	DWN	APVD
1	-	SEE SHEET 1			

COUNTERPART DETAILS



TAB DETAILS



MATERIALS: PA66-GF FOR HOUSING
 TIN PLATED BRASS FOR TABS

THIS DRAWING IS A CONTROLLED DOCUMENT.		DWN C. BERTINI 05-1992	TE Connectivity AMP SUPERSEAL 1.5 SRS. 3 POSITIONS PLUG ASS'Y		
DIMENSIONS: mm		CHK A. BRUNI 05-1992			
TOLERANCES UNLESS OTHERWISE SPECIFIED:		APVD -	NAME		
0 PLC ±0.3 1 PLC ±0.1 2 PLC ±0.05 3 PLC ± 4 PLC ± ANGLES ±2°		PRODUCT SPEC -	APPLICATION SPEC		
MATERIAL		WEIGHT -	SIZE A300779	CAGE CODE C-282087	RESTRICTED TO -
FINISH		CUSTOMER DRAWING			SCALE 3:1
		SHEET 2 OF 2			REV B5