



Chipsmall Limited consists of a professional team with an average of over 10 year of expertise in the distribution of electronic components. Based in Hongkong, we have already established firm and mutual-benefit business relationships with customers from,Europe,America and south Asia,supplying obsolete and hard-to-find components to meet their specific needs.

With the principle of "Quality Parts,Customers Priority,Honest Operation,and Considerate Service",our business mainly focus on the distribution of electronic components. Line cards we deal with include Microchip,ALPS,ROHM,Xilinx,Pulse,ON,Everlight and Freescale. Main products comprise IC,Modules,Potentiometer,IC Socket,Relay,Connector.Our parts cover such applications as commercial,industrial, and automotives areas.

We are looking forward to setting up business relationship with you and hope to provide you with the best service and solution. Let us make a better world for our industry!



Contact us

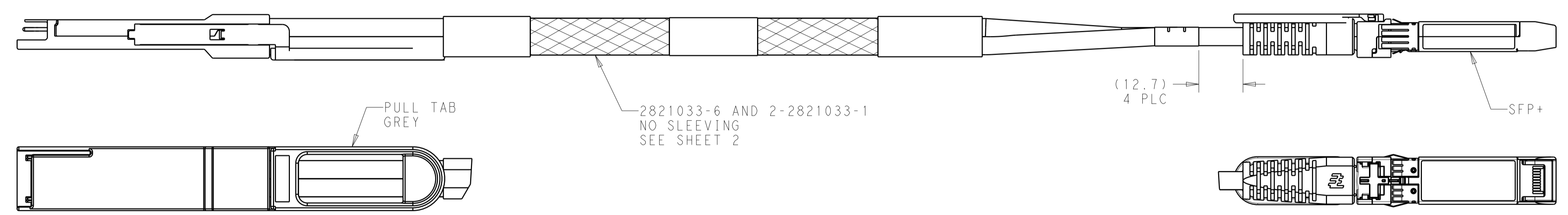
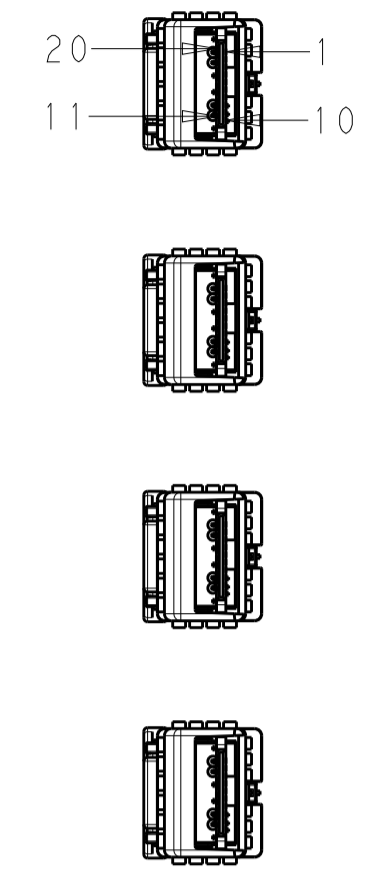
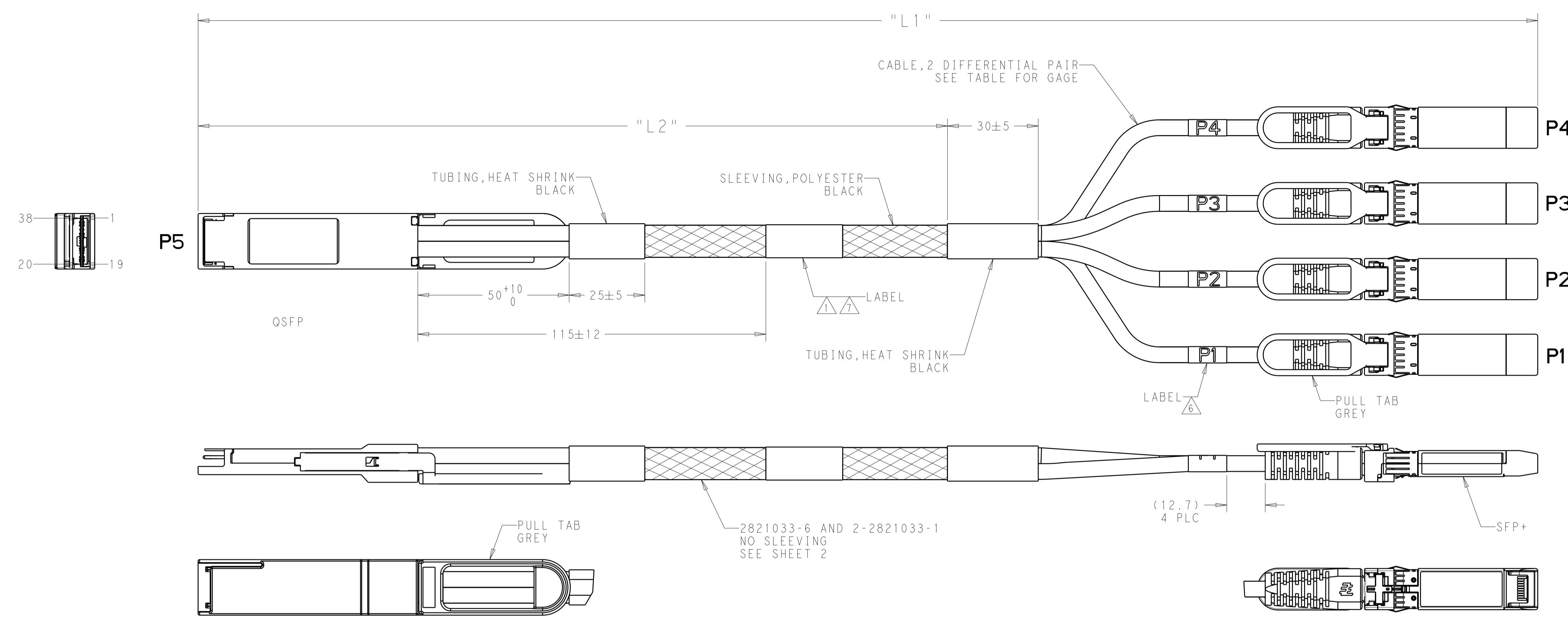
Tel: +86-755-8981 8866 Fax: +86-755-8427 6832

Email & Skype: info@chipsmall.com Web: www.chipsmall.com

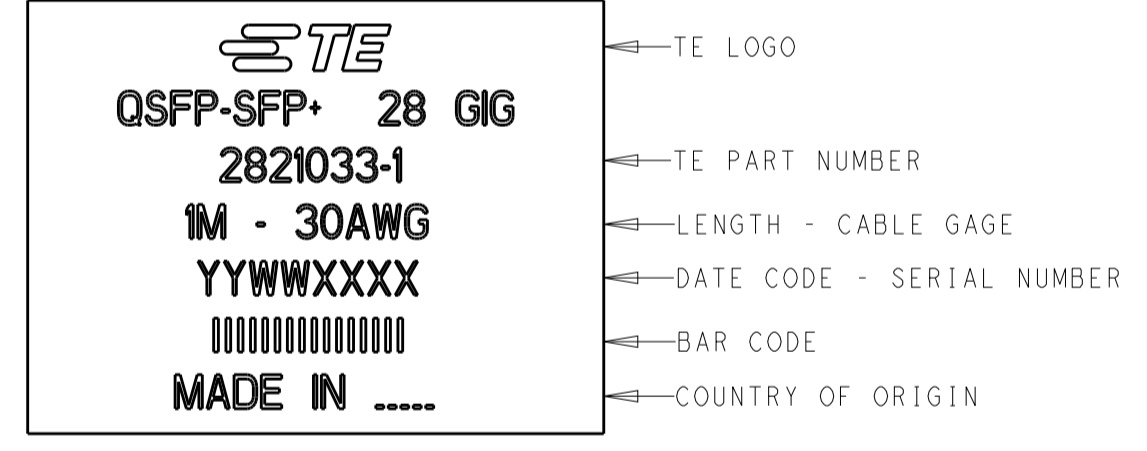
Address: A1208, Overseas Decoration Building, #122 Zhenhua RD., Futian, Shenzhen, China



REVISIONS				
P	LTN	DESCRIPTION	DATE	DWN APVD
J		REDRAWN PER ECO-17-003216	07MAR2017	TS EC
J1		REVISED PER ECO-18-011943	26JUL2018	CP GF



△ LABEL INFORMATION: -1 SHOWN.



- SEE SHEET 2 FOR WIRING SCHEMATIC.
- PRODUCT AND PROCESSING MEETS THE REQUIREMENTS OF TE SPECIFICATION TEC-138-702.
- CABLE ASSEMBLY TO BE TESTED FOR OPENS, SHORTS AND PROPER EEPROM PROGRAM.

△ DUE TO SHORT CABLE LENGTH, THE PART NUMBERS INDICATED MAY NOT MEET IEEE802.3bj. RETURN LOSS AND MINIMUM INSERTION LOSS LIMITS.

△ LABEL INFORMATION: P1 SHOWN



△ SEE SHEET 2 FOR 2821033-6 AND 2-2821033-1 LABEL PLACEMENT.

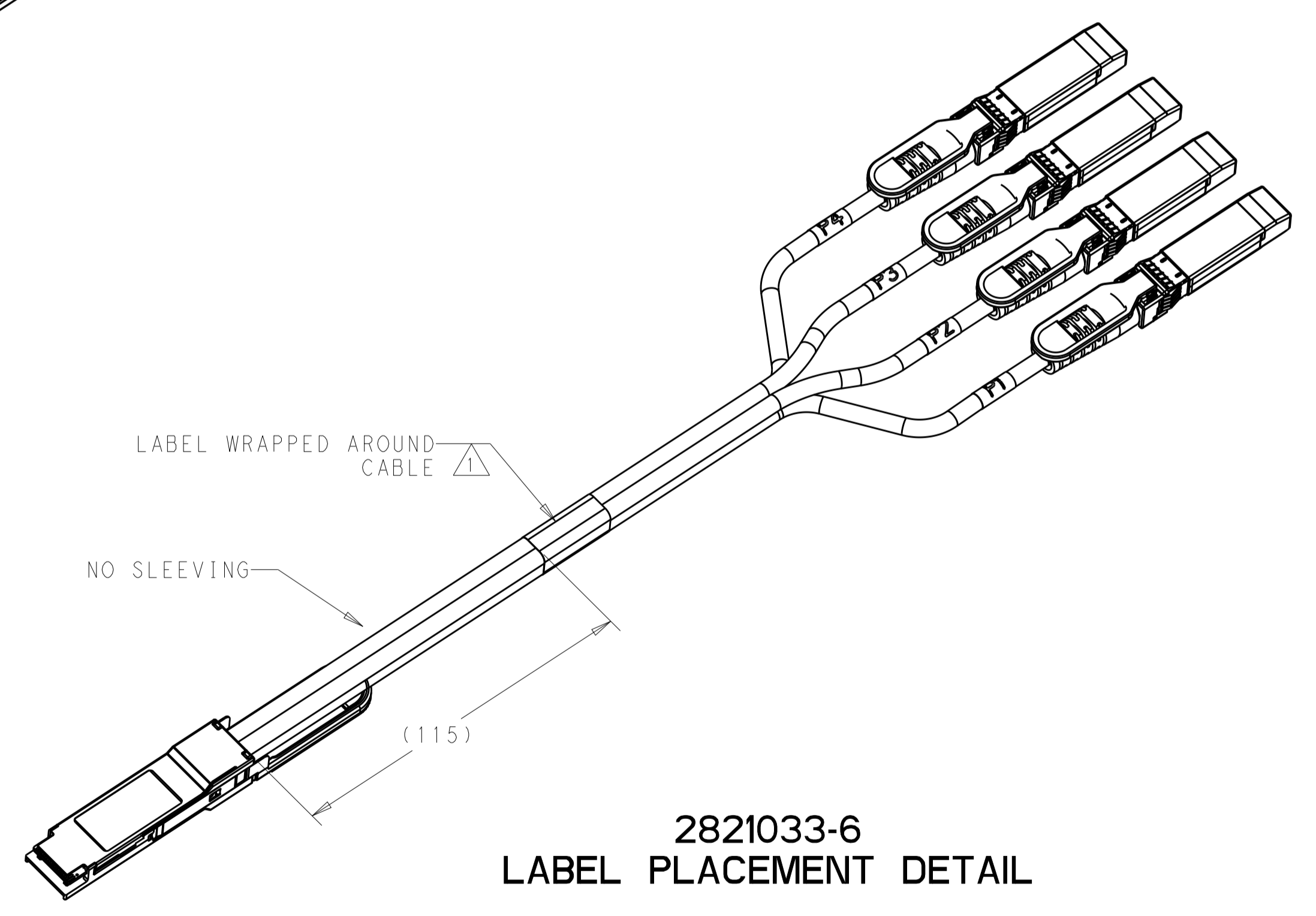
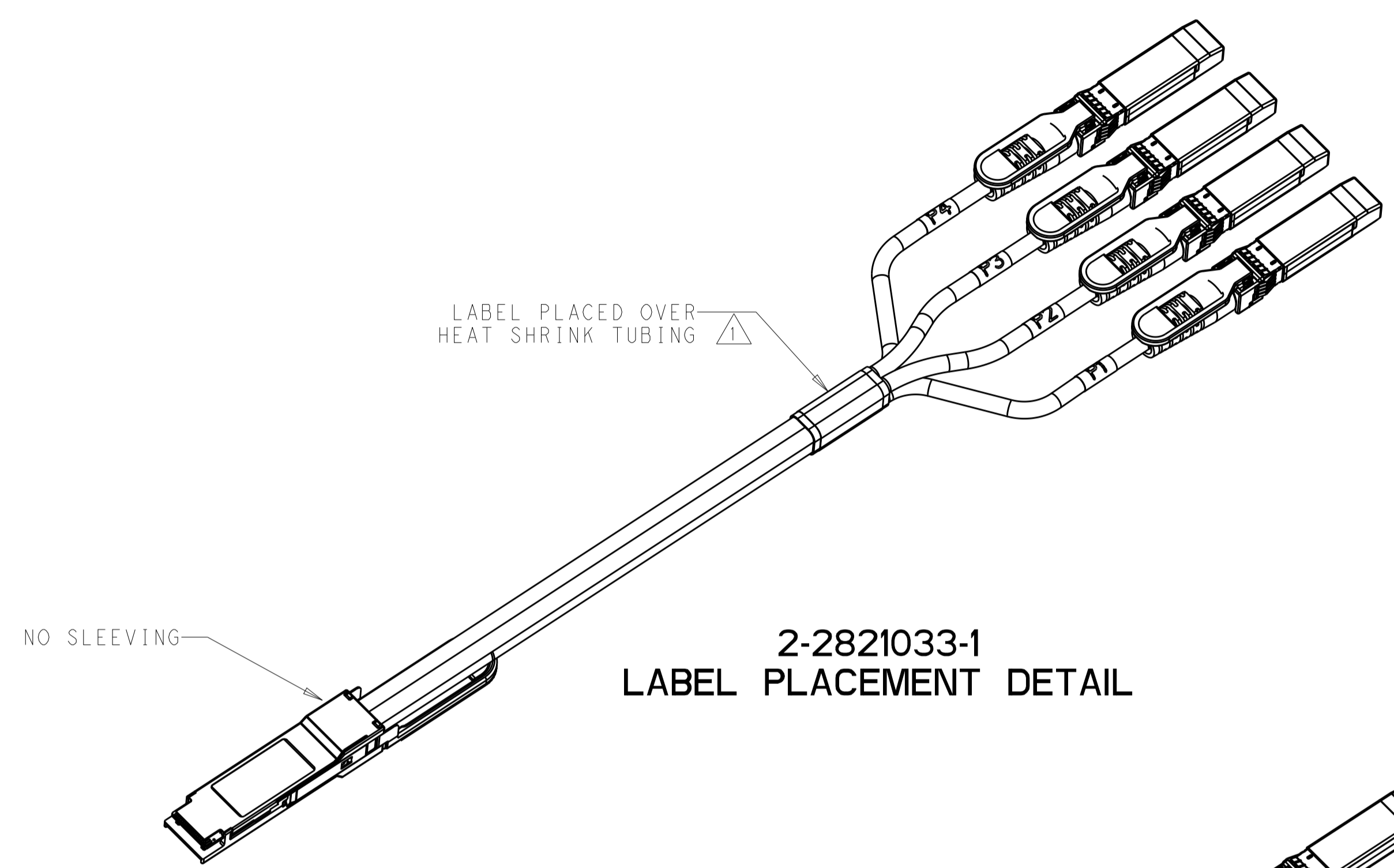
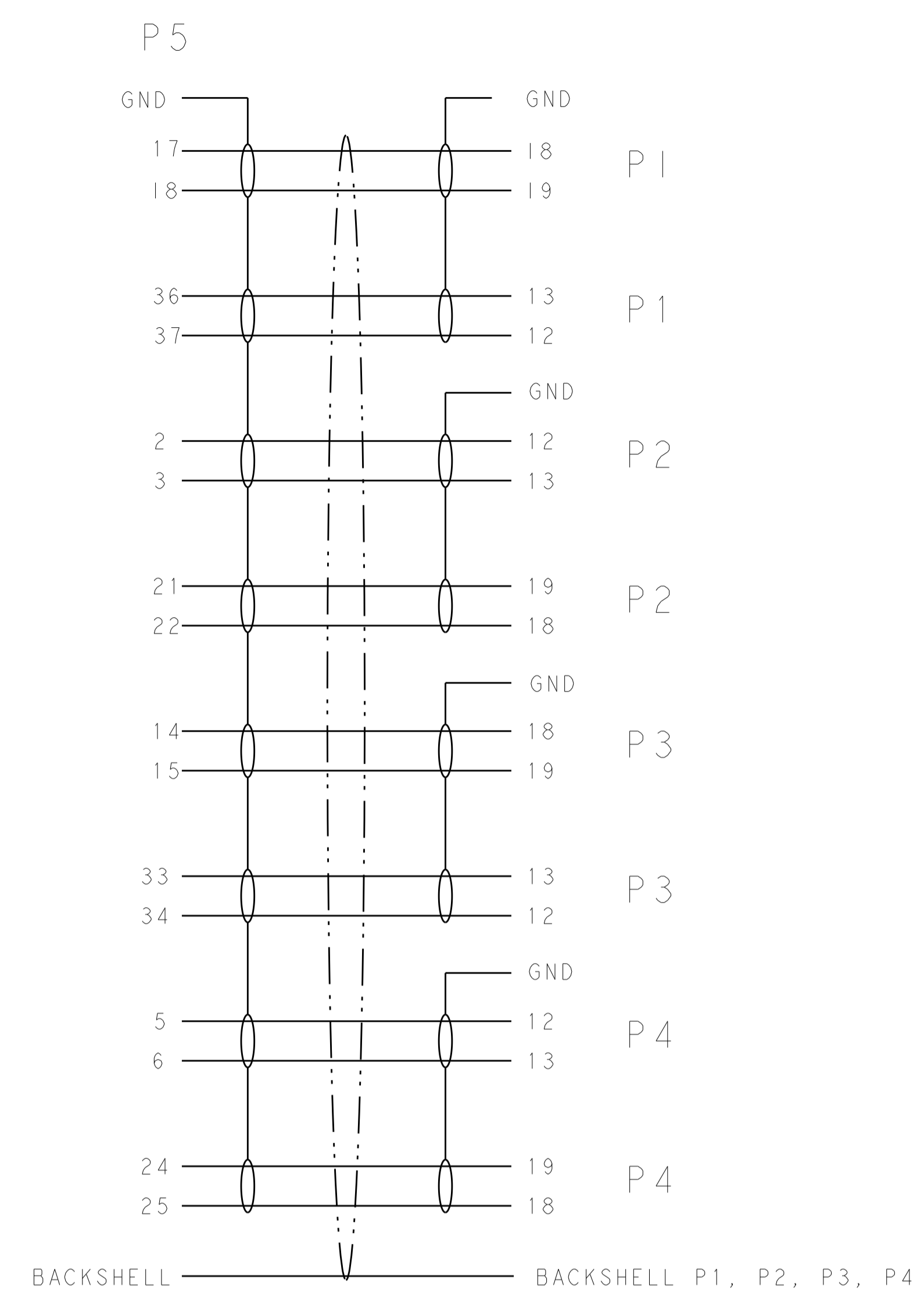
GAGE	"L2"	"L1"	PART NO
30	120 ±12	500 +50/-0	2-2821033-1
30	1500 ±25	3500 +80/-0	2-2821033-0
28	1500 ±25	3500 +80/-0	1-2821033-9
30	1000 ±25	2500 +80/-0	1-2821033-8
OBSOLETE	24	2000 ±25	5000 +80/-0
			1-2821033-6
OBSOLETE	26	1000 ±25	3000 +80/-0
	24	2000 ±25	6000 +80/-0
			1-2821033-2
	30	700 ±25	2000 +80/-0
	30	500 ±25	1500 +50/-0
	33	330 ±25	1000 +50/-0
	33	500 ±25	1500 +50/-0
	33	-	500 +50/-0
	26	1500 ±25	4000 +80/-0
	28	1000 ±25	3000 +80/-0
	26	2000 ±25	5000 +80/-0
	30	1000 ±25	3000 +80/-0
	30	330 ±25	1000 +50/-0

THIS DRAWING IS A CONTROLLED DOCUMENT.

DIMENSIONS:	TOLERANCES UNLESS OTHERWISE SPECIFIED:	DWN T. SMITH 02MAR2017	CHK E. CUESTA 02MAR2017	APVD E. CUESTA 02MAR2017
mm	0 PLC ±	NAME CABLE ASSEMBLY, QSFP28 TO (4) SFP+		
	1 PLC ±	PRODUCT SPEC		
	2 PLC ±	APPLICATION SPEC		
	3 PLC ±	SIZE CAGE CODE DRAWING NO		
	4 PLC ±	RESTRICTED TO		
	ANGLES ±	A1 - C=2821033		
MATERIAL	FINISH	WEIGHT		
		CUSTOMER DRAWING		

SCALE 5:4 SHEET 1 OF 2 REV J1

REVISIONS				
P.	LTN	DESCRIPTION	DATE	APVD
		SEE SHEET 1		



THIS DRAWING IS A CONTROLLED DOCUMENT.		OWN T. SMITH 02MAR2017	TE Connectivity
DIMENSIONS: mm		CHK E. CUESTA 02MAR2017	
TOLERANCES UNLESS OTHERWISE SPECIFIED:		APVD E. CUESTA 02MAR2017	NAME CABLE ASSEMBLY, QSFP28 TO (4) SFP+
0 PLC ±	1 PLC ±	PRODUCT SPEC	SIZE A1
2 PLC ±	3 PLC ±	APPLICATION SPEC	CAGE CODE -
4 PLC ±	ANGLES ±	WEIGHT -	DRAWING NO. C=2821033
MATERIAL -	FINISH -	CUSTOMER DRAWING	RESTRICTED TO
SCALE 3:2			SHEET 2 OF 2
REV J1			