



Chipsmall Limited consists of a professional team with an average of over 10 year of expertise in the distribution of electronic components. Based in Hongkong, we have already established firm and mutual-benefit business relationships with customers from,Europe,America and south Asia,supplying obsolete and hard-to-find components to meet their specific needs.

With the principle of "Quality Parts,Customers Priority,Honest Operation,and Considerate Service",our business mainly focus on the distribution of electronic components. Line cards we deal with include Microchip,ALPS,ROHM,Xilinx,Pulse,ON,Everlight and Freescale. Main products comprise IC,Modules,Potentiometer,IC Socket,Relay,Connector.Our parts cover such applications as commercial,industrial, and automotives areas.

We are looking forward to setting up business relationship with you and hope to provide you with the best service and solution. Let us make a better world for our industry!



## Contact us

Tel: +86-755-8981 8866 Fax: +86-755-8427 6832

Email & Skype: info@chipsmall.com Web: www.chipsmall.com

Address: A1208, Overseas Decoration Building, #122 Zhenhua RD., Futian, Shenzhen, China



**METRIC**

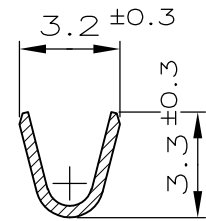
LOC  
I

DIST  
—

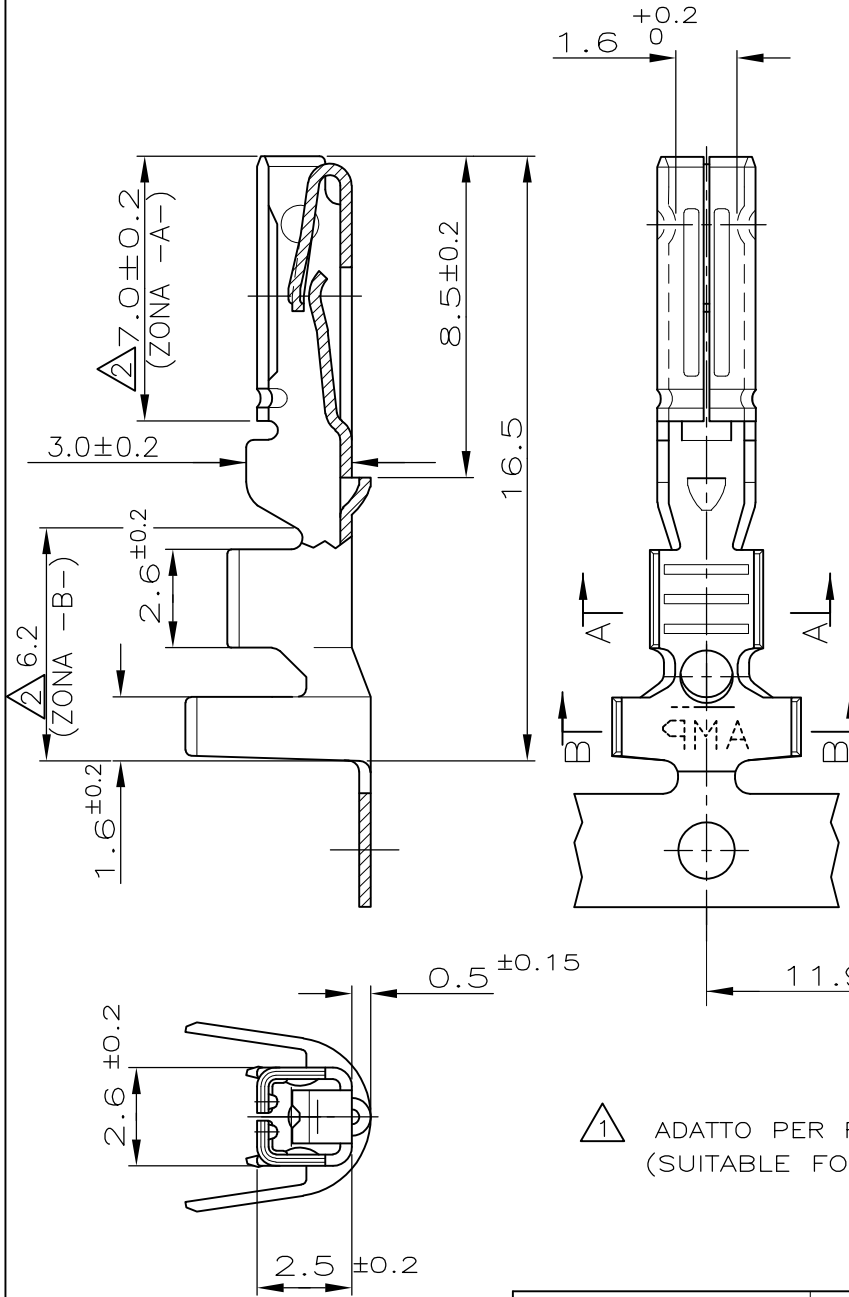
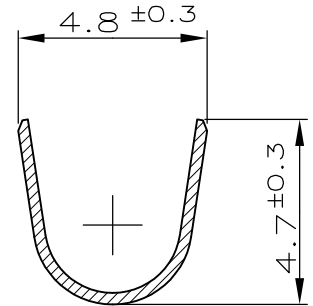
REVISIONS

P	LTR	DESCRIPTION	DATE	DWN	APVD
	D1	REVISED PER ECO-11-005033	2APR11	RK	HMR

PART.SECT. A-A



PART.SECT. B-B



△ ADATTO PER RUBBER PLUG 281934-...  
(SUITABLE FOR WIRE SEAL 281934-...)

RELEASED FOR PUBLICATION

ALL RIGHTS RESERVED.

THIS DRAWING IS UNPUBLISHED.

© COPYRIGHT - By -

DIAM. ISOLANTE  
(INS. DIA. RANGE)



RANGO FILO  
(WIRE RANGE)

0.75-1.5mm<sup>2</sup>

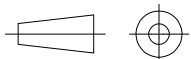
PRE-STAGNATO/PRE-TIN	BRONZO FOSF./PH. BRONZE	282110-1
FINITURA / COLORE (FINISH / COLOUR)	MATERIALE (MATERIAL)	NUMERO (PART NUMBER)
CUSTOMER DRAWING FOR REFERENCE ONLY		DISEGNO PER CLIENTE SOLO PER RIFERIMENTO

DIMENSIONS:

mm

TOLERANCES UNLESS  
OTHERWISE SPECIFIED:

0 PLC	± -
1 PLC	± 0.3
2 PLC	± -
3 PLC	± -
4 PLC	± -
ANGLES	± 2°



DWN Bassano	9 NOV.90	MATERIAL -	FINISH -
CHK Bertini	9 NOV.90	TE Connectivity	
APVD -	-		
PRODUCT SPEC -	NAME MINI MIC SRS REC. CONTACT		
APPLICATION SPEC -	SIZE A4	CAGE CODE 00779	DRAWING NO C-282110
WEIGHT -	RESTRICTED TO -		SCALE 5:1
CUSTOMER DRAWING		SHEET 1 OF 1	REV D1