



Chipsmall Limited consists of a professional team with an average of over 10 year of expertise in the distribution of electronic components. Based in Hongkong, we have already established firm and mutual-benefit business relationships with customers from,Europe,America and south Asia,supplying obsolete and hard-to-find components to meet their specific needs.

With the principle of "Quality Parts,Customers Priority,Honest Operation,and Considerate Service",our business mainly focus on the distribution of electronic components. Line cards we deal with include Microchip,ALPS,ROHM,Xilinx,Pulse,ON,Everlight and Freescale. Main products comprise IC,Modules,Potentiometer,IC Socket,Relay,Connector.Our parts cover such applications as commercial,industrial, and automotives areas.

We are looking forward to setting up business relationship with you and hope to provide you with the best service and solution. Let us make a better world for our industry!



Contact us

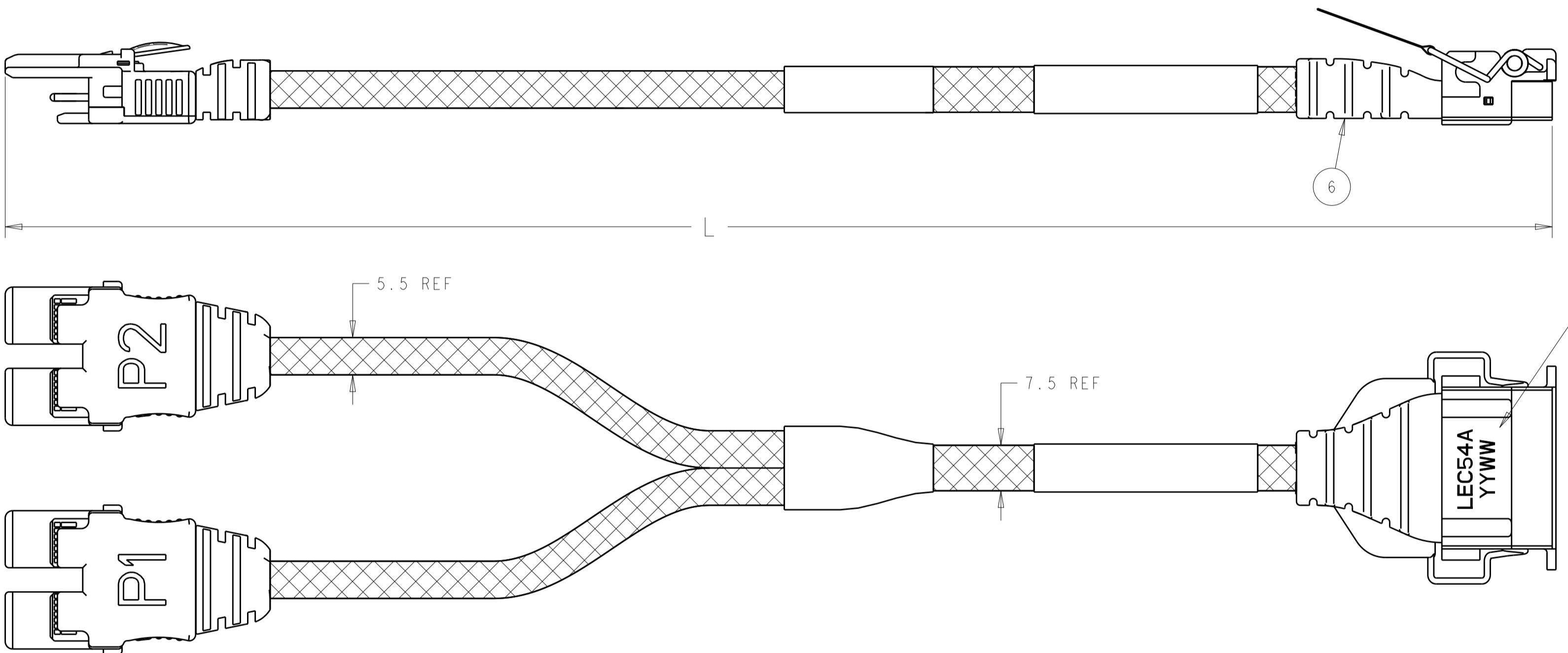
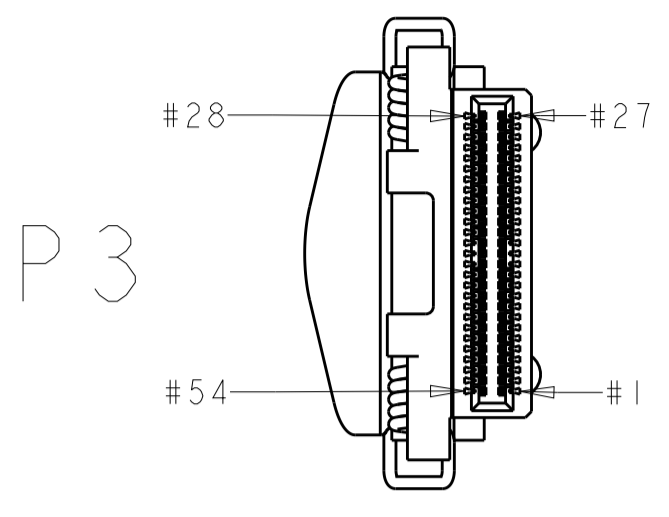
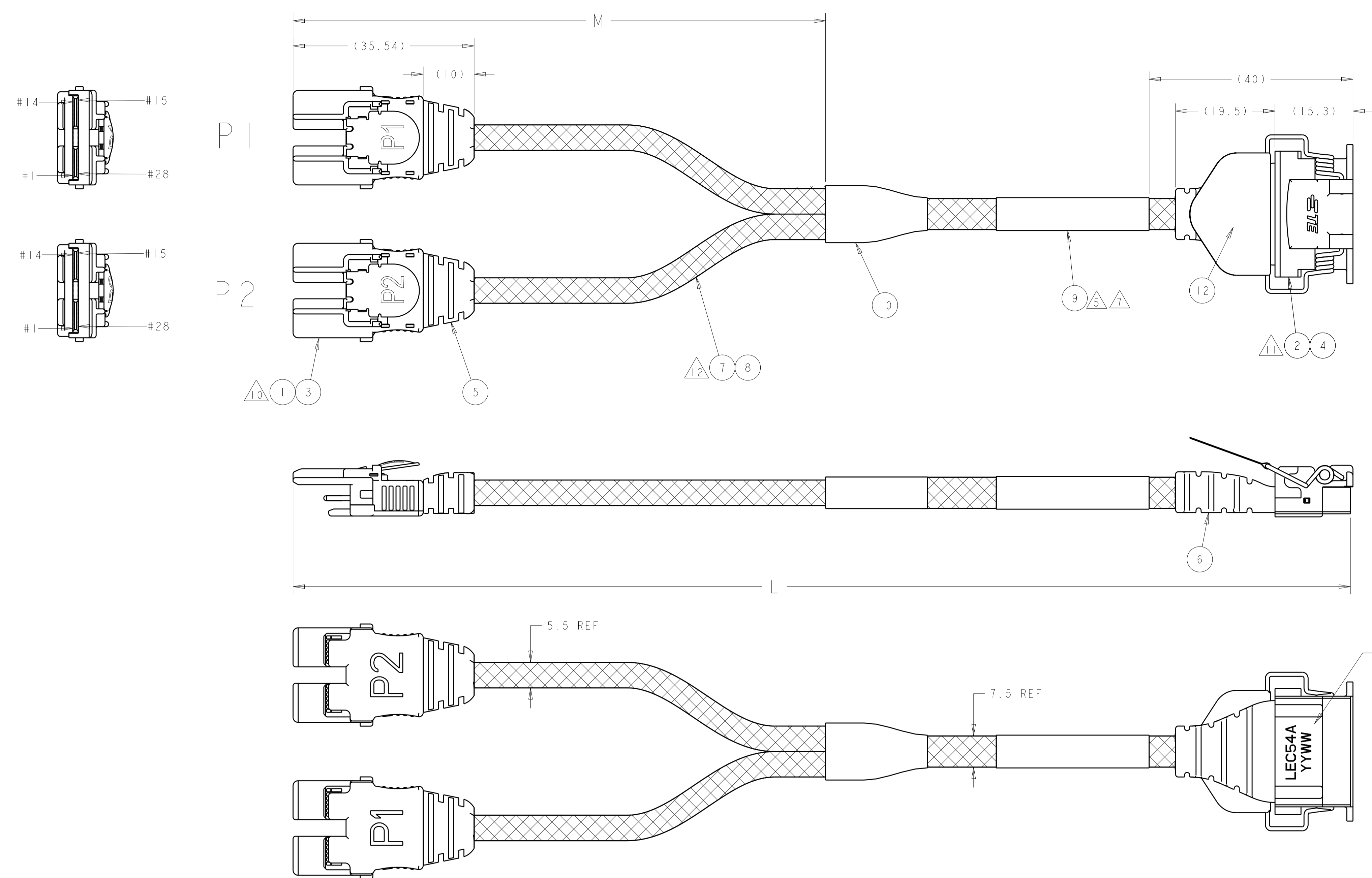
Tel: +86-755-8981 8866 Fax: +86-755-8427 6832

Email & Skype: info@chipsmall.com Web: www.chipsmall.com

Address: A1208, Overseas Decoration Building, #122 Zhenhua RD., Futian, Shenzhen, China



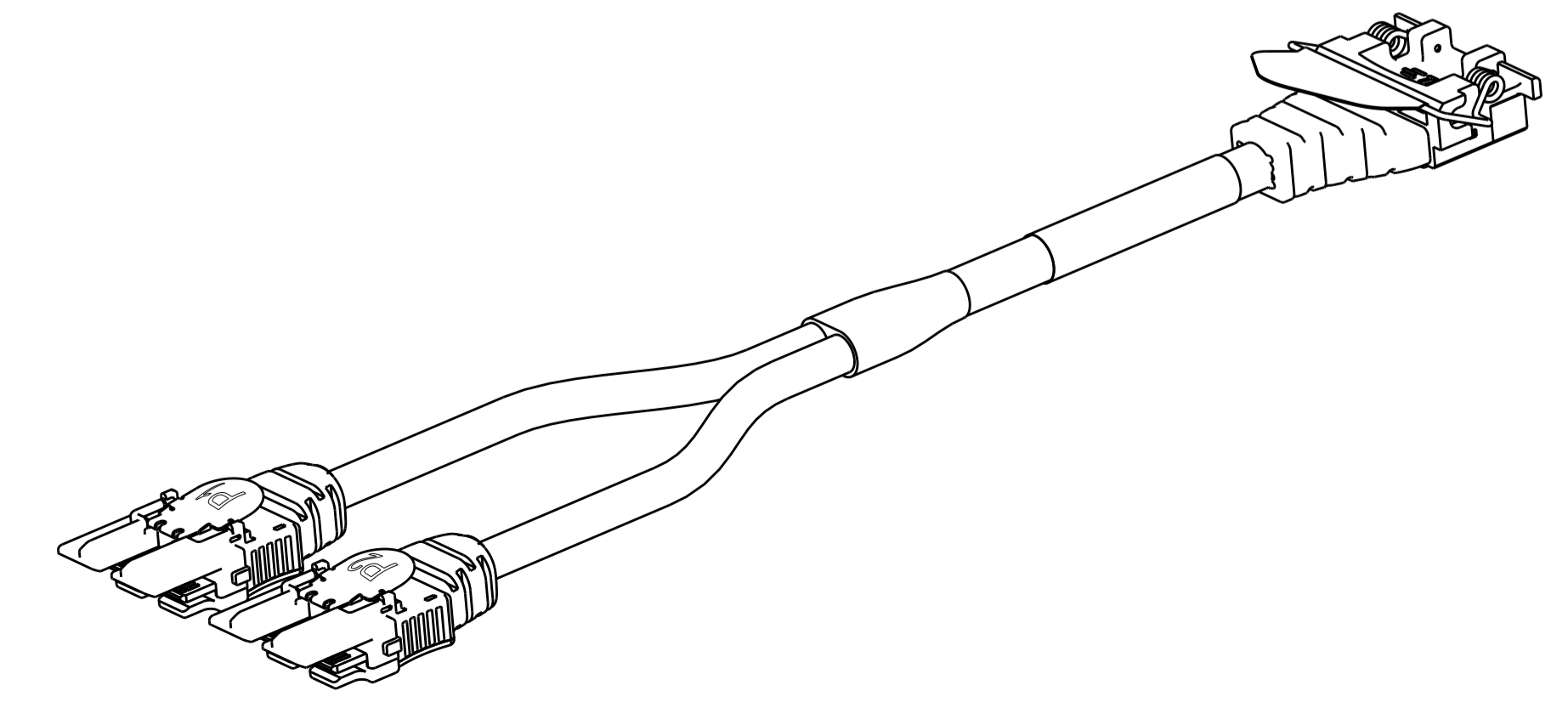
REVISIONS				
P	LTM	DESCRIPTION	DATE	APVD
A1		ECO-17-007675	07APR2017	GL CP
B		FIX INTEL REV	06JUN2017	GL CP



2821719-2, -4

7	WRAP (SHEET 1)	104.5±5	460±5	-	2821719-4
6	FLAG (SHEET 2)	75±5	142±5	-	2821719-3
5	WRAP (SHEET 1)	104.5±5	405±5	H98342-004	2821719-2
8	FLAG (SHEET 2)	104.5±5	208±5	H98340-004	2821719-1
	LABEL TYPE	M	L	INTEL PART NO	TE PART NO

1	1	1	1	PULL TAB.	12
-	1	-	1	LABEL, FLAG	11
AR	AR	AR	AR	ACETATE TAPE, BLACK	10
1	-	1	-	LABEL, WRAP AROUND	9
AR	AR	AR	AR	SLEEVING, EXPANDABLE	8
AR	AR	AR	AR	85 OHM TWINAX CABLE, 30AWG 25G TURBO TWIN™	7
1	1	1	1	OVERMOLDED STRAIN RELIEF, LECA	6
2	2	2	2	OVERMOLDED STRAIN RELIEF, IFP	5
1	1	1	1	DUST COVER, LECA (NOT SHOWN)	4
2	2	2	2	DUST COVER, IFP (NOT SHOWN)	3
1	1	1	1	LEC 54A RECPT, 54 POSN.	2
2	2	2	2	IFP PLUG, 28 POSN,	1
-4	-3	-2	-1	DESCRIPTION	ITEM NO



THIS DRAWING IS A CONTROLLED DOCUMENT. DWG: T. SMITH 08JUN2016
 CHK: C. POGASH 08JUN2016
 APVD: -

STE TE Connectivity

NAME: 1FP ASSEMBLY, TYPE A, STRAIGHT EXIT 2-PORT, NON-INVERTED.

PRODUCT SPEC: -
 APPLICATION SPEC: -
 MATERIAL: -
 FINISH: -

WEIGHT: -
 CUSTOMER DRAWING

SIZE: A1
 CAGE CODE: -
 DRAWING NO: 2821719

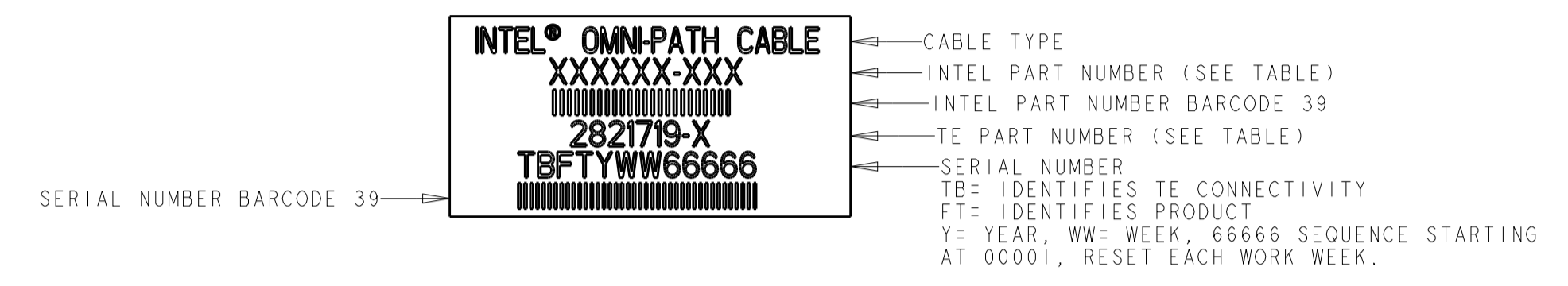
RESTRICTED TO: -
 SCALE: 2:1
 SHEET: 1 OF 2
 REV: B

REVISIONS				
P.	LTN.	DESCRIPTION	DATE	OWN. APVD.
-	-	SEE SHEET 1	-	-

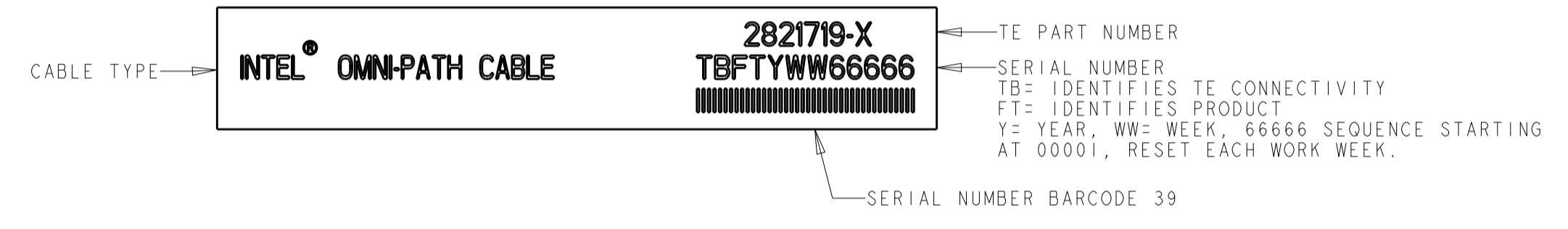
CABLE PINOUT				
PAIR	PIN NAME	P1	P2	P3
GROUND BUS	-	1	-	1
1	HF10_RX_DN(1)	2	-	2
	HF10_RX_DP(1)	3	-	3
GROUND BUS	-	4	-	4
2	HF10_RX_DN(3)	5	-	5
	HF10_RX_DP(3)	6	-	6
GROUND BUS	-	7	1	7
3	HF11_RX_DN(1)	-	2	8
	HF11_RX_DP(1)	-	3	9
GROUND BUS	-	-	4	10
4	HF11_RX_DN(3)	-	5	11
	HF11_RX_DP(3)	-	6	12
GROUND BUS	-	-	7	13
GROUND BUS	-	-	-	14
GROUND BUS	-	8	-	15
5	HF10_TX_DP(4)	9	-	16
	HF10_TX_DN(4)	10	-	17
GROUND BUS	-	11	-	18
6	HF10_TX_DP(2)	12	-	19
	HF10_TX_DN(2)	13	-	20
GROUND BUS	-	14	8	21
7	HF11_TX_DP(4)	-	9	22
	HF11_TX_DN(4)	-	10	23
GROUND BUS	-	-	11	24
8	HF11_TX_DP(2)	-	12	25
	HF11_TX_DN(2)	-	13	26
GROUND BUS	-	-	14	27
GROUND BUS	-	-	15	28
9	HF11_TX_DN(1)	-	16	29
	HF11_TX_DP(1)	-	17	30
GROUND BUS	-	-	18	31
10	HF11_TX_DN(3)	-	19	32
	HF11_TX_DP(3)	-	20	33
GROUND BUS	-	15	21	34
11	HF10_TX_DN(1)	16	-	35
	HF10_TX_DP(1)	17	-	36
GROUND BUS	-	18	-	37
12	HF10_TX_DN(3)	19	-	38
	HF10_TX_DP(3)	20	-	39
GROUND BUS	-	21	-	40
GROUND BUS	-	-	-	41
GROUND BUS	-	-	22	42
13	HF11_RX_DP(4)	-	23	43
	HF11_RX_DN(4)	-	24	44
GROUND BUS	-	-	25	45
14	HF11_RX_DP(2)	-	26	46
	HF11_RX_DN(2)	-	27	47
GROUND BUS	-	22	28	48
15	HF10_RX_DP(4)	23	-	49
	HF10_RX_DN(4)	24	-	50
GROUND BUS	-	25	-	51
16	HF10_RX_DP(2)	26	-	52
	HF10_RX_DN(2)	27	-	53
GROUND BUS	-	28	-	54

- THIS ASSEMBLY CONFORMS TO INTEL PART NO. (SEE TABLE).
- EACH ASSEMBLY TESTED FOR OPENS, SHORTS AND SIGNAL INTEGRITY.
- ROHS AND REACH COMPLIANCE: PRODUCT AND PROCESSING MEETS THE REQUIREMENTS OF THE SPECIFICATION TEC-138-702.
- EACH ASSEMBLY PACKAGED IN AN ANTISTATIC BAG.

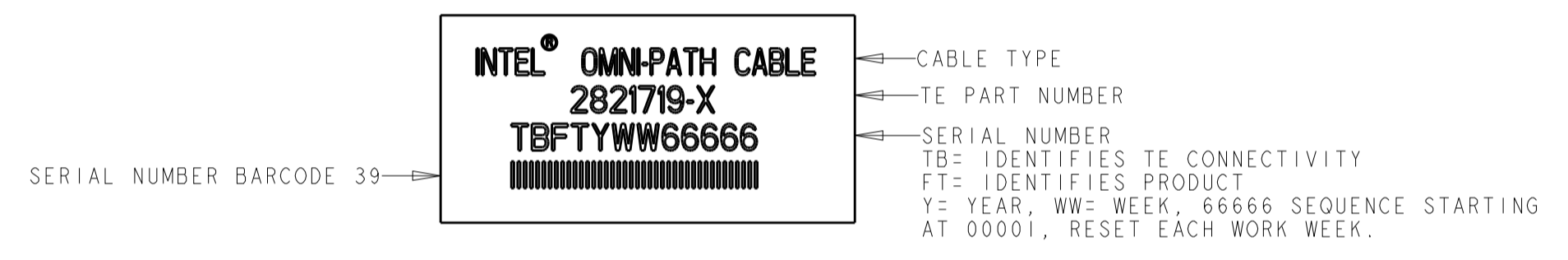
5 LABEL INFORMATION (ITEM 9): 2821719-2



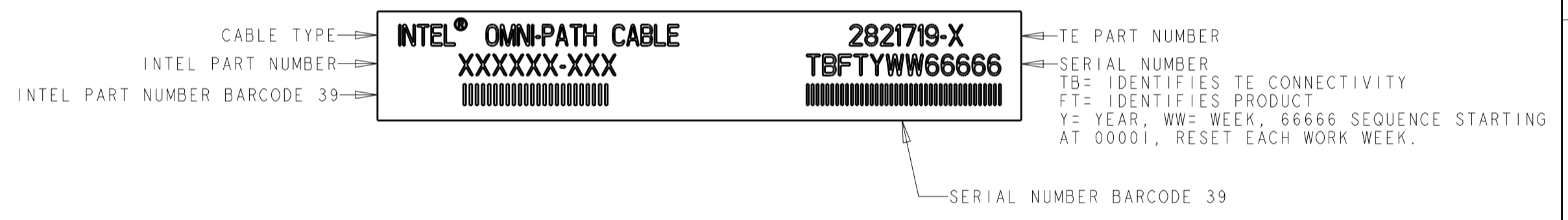
6 LABEL INFORMATION (ITEM 11): 2821719-3



7 LABEL INFORMATION (ITEM 9): 2821719-4

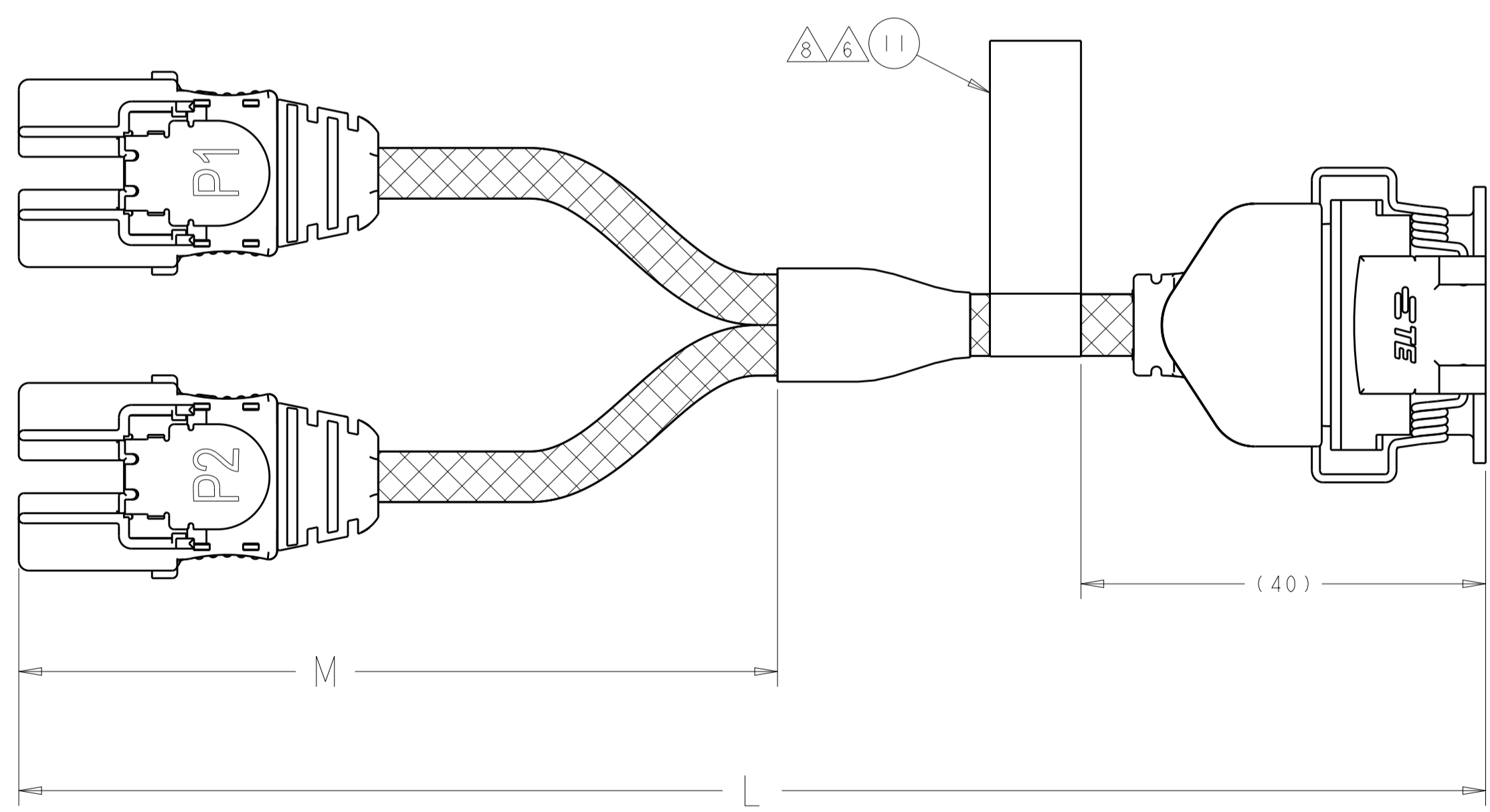


8 LABEL INFORMATION (ITEM 11): 2821719-1



9. CABLE ASSEMBLY BUILT IN ACCORDANCE WITH INTEL DESIGN GUIDE 1.0

- FINISH (CONTACT PADS): 30μIN MINIMUM GOLD PER TE SPEC 112-162-1 OVER 100μIN MINIMUM NICKEL PER TE SPEC 112-25-2.
- FINISH: 50μIN MINIMUM GOLD PER TE SPEC 112-162-5, IN LOCALIZED GOLD PLATE AREA, OVER 50μIN MINIMUM NICKEL PER TE SPEC 112-25-2 ON ENTIRE STOCK.
- CABLE PART #: 023B2LF023
CABLE SPEC: 104-1587
- CABLE ASSEMBLY LENGTH OFFERED BY TE IS NOT REFERENCED WITHIN INTEL DESIGN GUIDE 1.0



2821719-1, -3
FLAG LABEL
REQUIREMENT
ALL ASSEMBLY REQUIREMENTS
SAME AS -2 EXCEPT FOR
LABEL

THIS DRAWING IS A CONTROLLED DOCUMENT.		OWN T. SMITH 08JUN2016	APVD	
DIMENSIONS:		CHK C. POGASH 08JUN2016	NAME	
mm	TOLERANCES UNLESS OTHERWISE SPECIFIED:	PRODUCT SPEC	11FP ASSEMBLY, TYPE A, STRAIGHT EXIT	
0 PLC ±	1 PLC ±	APPLICATION SPEC	2-PORT, NON-INVERTED.	
2 PLC ±	3 PLC ±	SIZE	A1	
4 PLC ±	ANGLES ±	SCALE	1:1	
MATERIAL	FINISH	WEIGHT	C=2821719	
CUSTOMER DRAWING		SHEET	2 OF 2	
		REV	B	