



Chipsmall Limited consists of a professional team with an average of over 10 year of expertise in the distribution of electronic components. Based in Hongkong, we have already established firm and mutual-benefit business relationships with customers from,Europe,America and south Asia,supplying obsolete and hard-to-find components to meet their specific needs.

With the principle of “Quality Parts,Customers Priority,Honest Operation,and Considerate Service”,our business mainly focus on the distribution of electronic components. Line cards we deal with include Microchip,ALPS,ROHM,Xilinx,Pulse,ON,Everlight and Freescale. Main products comprise IC,Modules,Potentiometer,IC Socket,Relay,Connector.Our parts cover such applications as commercial,industrial, and automotives areas.

We are looking forward to setting up business relationship with you and hope to provide you with the best service and solution. Let us make a better world for our industry!



Contact us

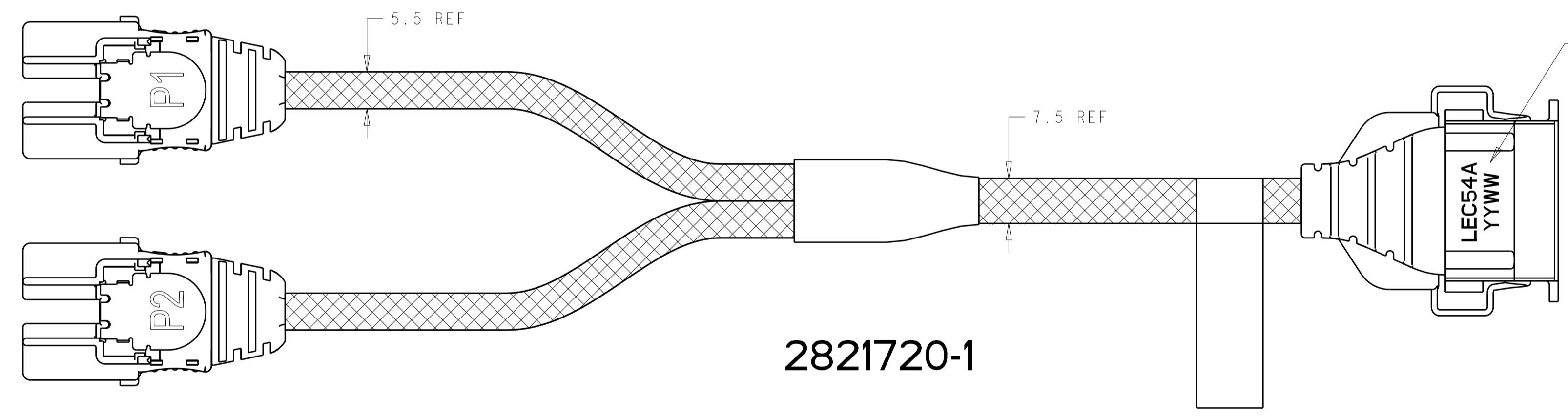
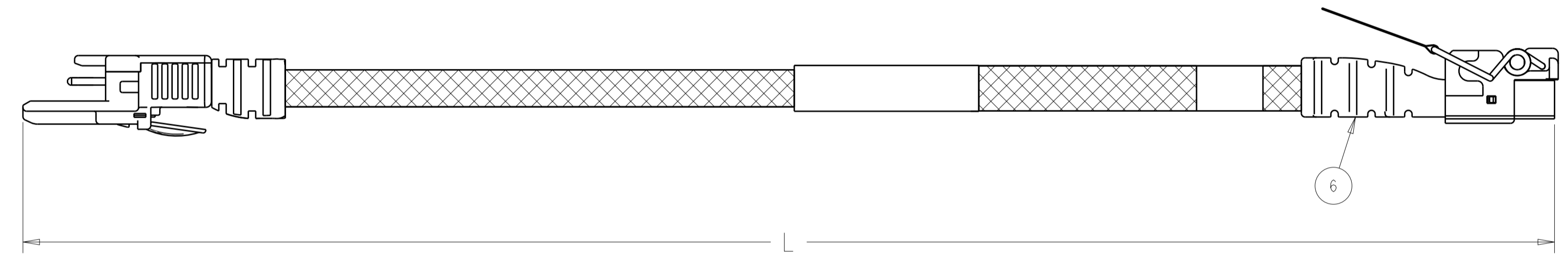
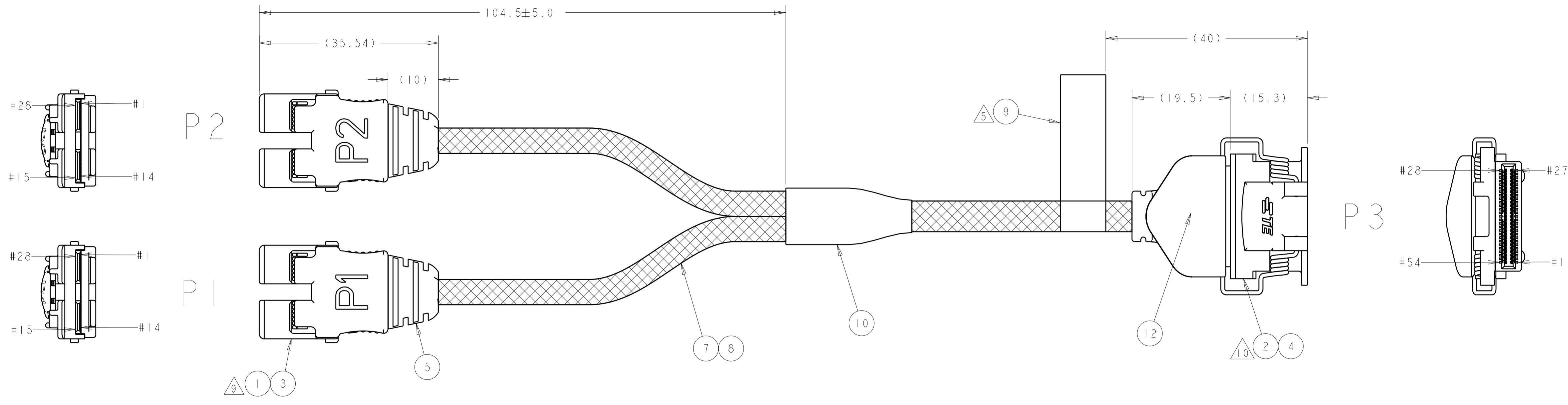
Tel: +86-755-8981 8866 Fax: +86-755-8427 6832

Email & Skype: info@chipsmall.com Web: www.chipsmall.com

Address: A1208, Overseas Decoration Building, #122 Zhenhua RD., Futian, Shenzhen, China

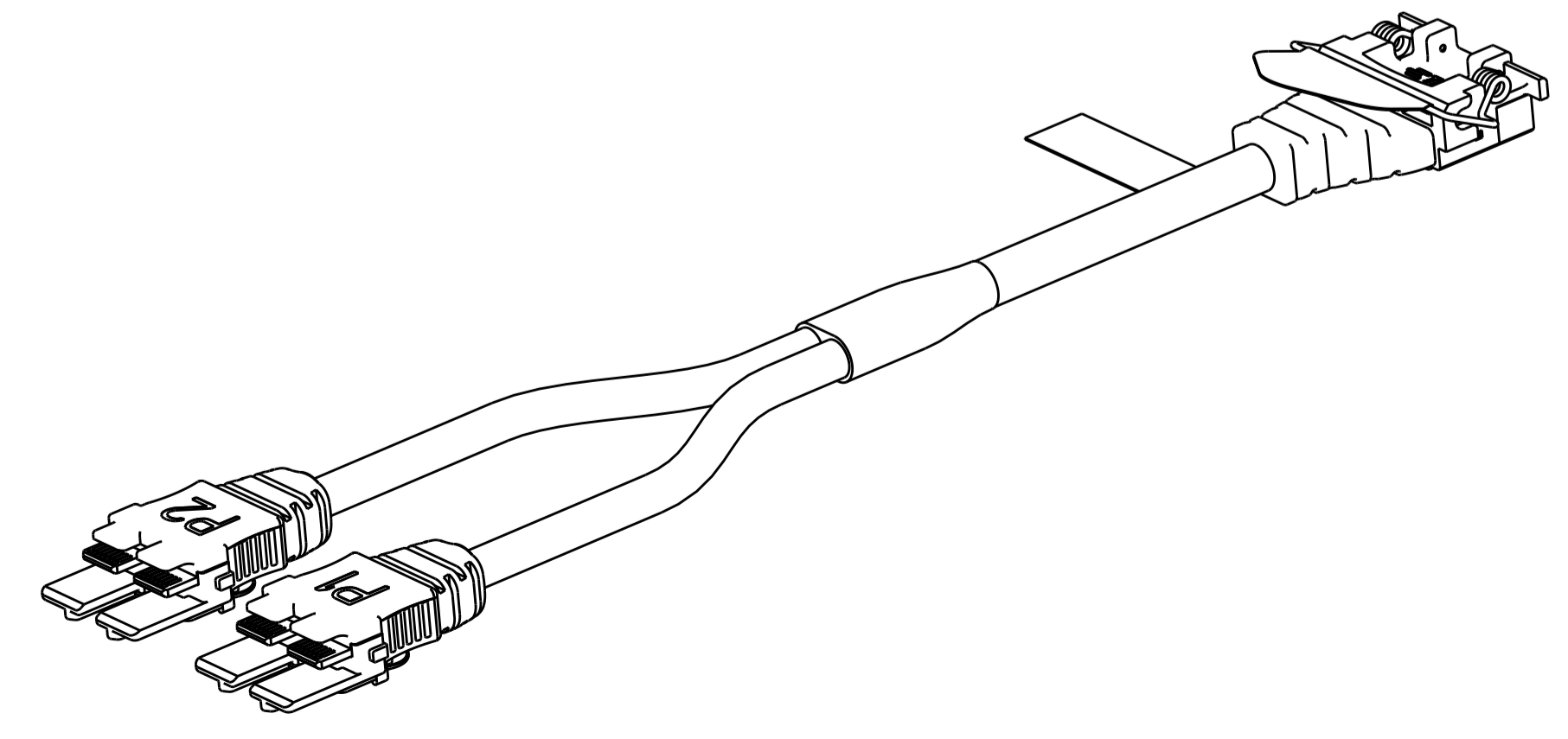


REVISIONS					
P	LTN	DESCRIPTION	DATE	OWN	APVD
A		RELEASED	03APR2017	GL	CP
B		REVISED PER ECO-17-004604	20APR2017	CP	GL



△	WRAP (SHEET 2)	285±5	-	2821720-3
△	WRAP (SHEET 2)	405±5	H74958-004	2821720-2
△	FLAG (SHEET 1)	208±5	H82319-004	2821720-1
	LABEL TYPE	L	INTEL PART NO	TE PART NO

1	1	1	PULL TAB.	12
1	1	-	LABEL, WRAP AROUND	11
AR	AR	AR	ACETATE TAPE, BLACK	10
-	-	1	LABEL, FLAG	9
AR	AR	AR	SLEEVING, EXPANDABLE	8
AR	AR	AR	85 OHM TWINAX CABLE, 30AWG 25G TURBO TWIN™	7
1	1	1	OVERMOLDED STRAIN RELIEF, LECA	6
2	2	2	OVERMOLDED STRAIN RELIEF, IFP	5
1	1	1	DUST COVER, LECA (NOT SHOWN)	4
2	2	2	DUST COVER, IFP (NOT SHOWN)	3
1	1	1	LEC 54A RECPT, 54 POSN	2
2	2	2	IFP PLUG, 28 POSN	1
-3	-2	-1	DESCRIPTION	ITEM NO



THIS DRAWING IS A CONTROLLED DOCUMENT. DWN T. SMITH 08JUN2016
 CHK C. POGASH 08JUN2016

TE Connectivity

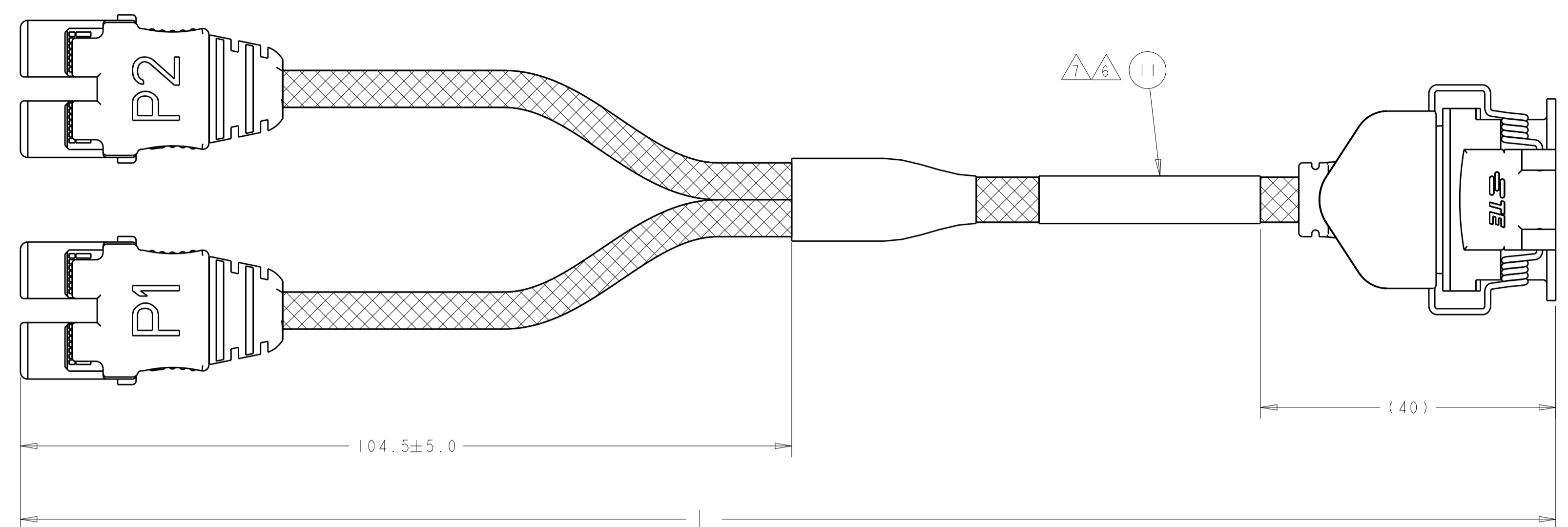
NAME: 1FP ASSEMBLY, TYPE A, STRAIGHT EXIT 2-PORT, INVERTED.

SIZE: A1 CAGE CODE: - DRAWING NO: 2821720

SCALE: 2:1 SHEET 1 OF 2 REV B

REVISIONS				
P.	LTN.	DESCRIPTION	DATE	APVD.
		SEE SHEET 1		

CABLE PINOUT				
PAIR	PIN NAME	P1	P2	P3
GROUND BUS	-	-	-	-
1	HF10_RX_DN(1)	2	-	2
	HF10_RX_DP(1)	3	-	3
GROUND BUS	-	4	-	4
2	HF10_RX_DN(3)	5	-	5
	HF10_RX_DP(3)	6	-	6
GROUND BUS	-	7	1	7
3	HF11_RX_DN(1)	-	2	8
	HF11_RX_DP(1)	-	3	9
GROUND BUS	-	-	4	10
4	HF11_RX_DN(3)	-	5	11
	HF11_RX_DP(3)	-	6	12
GROUND BUS	-	-	7	13
GROUND BUS	-	-	-	14
GROUND BUS	-	8	-	15
5	HF10_TX_DP(4)	9	-	16
	HF10_TX_DN(4)	10	-	17
GROUND BUS	-	11	-	18
6	HF10_TX_DP(2)	12	-	19
	HF10_TX_DN(2)	13	-	20
GROUND BUS	-	14	8	21
7	HF11_TX_DP(4)	-	9	22
	HF11_TX_DN(4)	-	10	23
GROUND BUS	-	-	11	24
8	HF11_TX_DP(2)	-	12	25
	HF11_TX_DN(2)	-	13	26
GROUND BUS	-	-	14	27
GROUND BUS	-	-	15	28
9	HF11_TX_DN(1)	-	16	29
	HF11_TX_DP(1)	-	17	30
GROUND BUS	-	-	18	31
10	HF11_TX_DN(3)	-	19	32
	HF11_TX_DP(3)	-	20	33
GROUND BUS	-	15	21	34
11	HF10_TX_DN(1)	16	-	35
	HF10_TX_DP(1)	17	-	36
GROUND BUS	-	18	-	37
12	HF10_TX_DN(3)	19	-	38
	HF10_TX_DP(3)	20	-	39
GROUND BUS	-	21	-	40
GROUND BUS	-	-	-	41
GROUND BUS	-	-	-	42
13	HF11_RX_DP(4)	-	23	43
	HF11_RX_DN(4)	-	24	44
GROUND BUS	-	-	25	45
14	HF11_RX_DP(2)	-	26	46
	HF11_RX_DN(2)	-	27	47
GROUND BUS	-	22	28	48
15	HF10_RX_DP(4)	23	-	49
	HF10_RX_DN(4)	24	-	50
GROUND BUS	-	25	-	51
16	HF10_RX_DP(2)	26	-	52
	HF10_RX_DN(2)	27	-	53
GROUND BUS	-	28	-	54



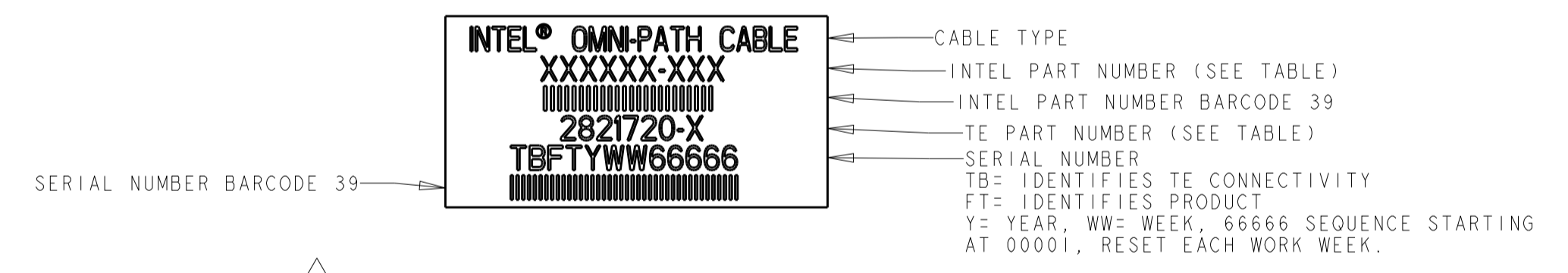
**2821720-2, -3
WRAP LABEL
REQUIREMENT
ALL ASSEMBLY REQUIREMENTS
SAME AS -1 EXCEPT FOR
LABEL**

1. THIS ASSEMBLY CONFORMS TO INTEL PART NO. (SEE TABLE).
2. EACH ASSEMBLY TESTED FOR OPENS, SHORTS AND SIGNAL INTEGRITY.
3. ROHS AND REACH COMPLIANCE; PRODUCT AND PROCESSING MEETS THE REQUIREMENTS OF TE SPECIFICATION TEC-138-702.
4. EACH ASSEMBLY PACKAGED IN AN ANTISTATIC BAG.

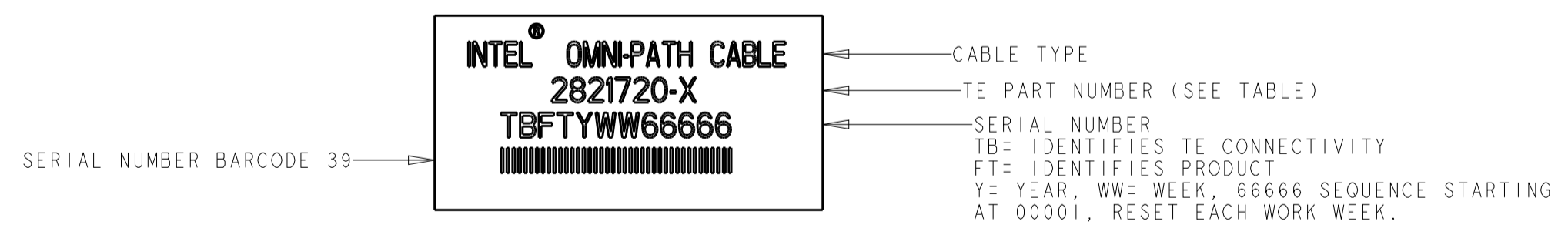
△ LABEL INFORMATION (ITEM 9): 2821720-1



△ LABEL INFORMATION (ITEM 11): 2821720-2



△ LABEL INFORMATION (ITEM 11): 2821720-3



8. CABLE ASSEMBLY BUILT IN ACCORDANCE WITH INTEL DESIGN GUIDE 1.0

△ 9. FINISH (CONTACT PADS): 30μIN MINIMUM GOLD PER TE SPEC 112-162-1 OVER 100μIN MINIMUM NICKEL PER TE SPEC 112-25-2.

△ 10. FINISH: 50μIN MINIMUM GOLD PER TE SPEC 112-162-5, IN LOCALIZED GOLD PLATE AREA, OVER 50μIN MINIMUM NICKEL PER TE SPEC 112-25-2 ON ENTIRE STOCK.

△ 11. CABLE PART #: Q23B2LF023
CABLE SPEC: 104-1587

THIS DRAWING IS A CONTROLLED DOCUMENT.		OWN: T. SMITH 08JUN2016	TE Connectivity
		CHK: C. POGASH 08JUN2016	
DIMENSIONS:	TOLERANCES UNLESS OTHERWISE SPECIFIED:	APVD:	NAME: 1FP ASSEMBLY, TYPE A, STRAIGHT EXIT 2-PORT, INVERTED.
mm	0 PLC ±	PRODUCT SPEC	APPLICATION SPEC
	1 PLC ±	APPLIC. SPEC	RESTRICTED TO
	2 PLC ±	SIZE: A1	CAGE CODE: C=2821720
	3 PLC ±	SCALE: 1:1	SHEET 2 OF 2
	4 PLC ±	CUSTOMER DRAWING	REV B
MATERIAL:	FINISH:	WEIGHT:	