



Chipsmall Limited consists of a professional team with an average of over 10 year of expertise in the distribution of electronic components. Based in Hongkong, we have already established firm and mutual-benefit business relationships with customers from,Europe,America and south Asia,supplying obsolete and hard-to-find components to meet their specific needs.

With the principle of “Quality Parts,Customers Priority,Honest Operation,and Considerate Service”,our business mainly focus on the distribution of electronic components. Line cards we deal with include Microchip,ALPS,ROHM,Xilinx,Pulse,ON,Everlight and Freescale. Main products comprise IC,Modules,Potentiometer,IC Socket,Relay,Connector.Our parts cover such applications as commercial,industrial, and automotives areas.

We are looking forward to setting up business relationship with you and hope to provide you with the best service and solution. Let us make a better world for our industry!



Contact us

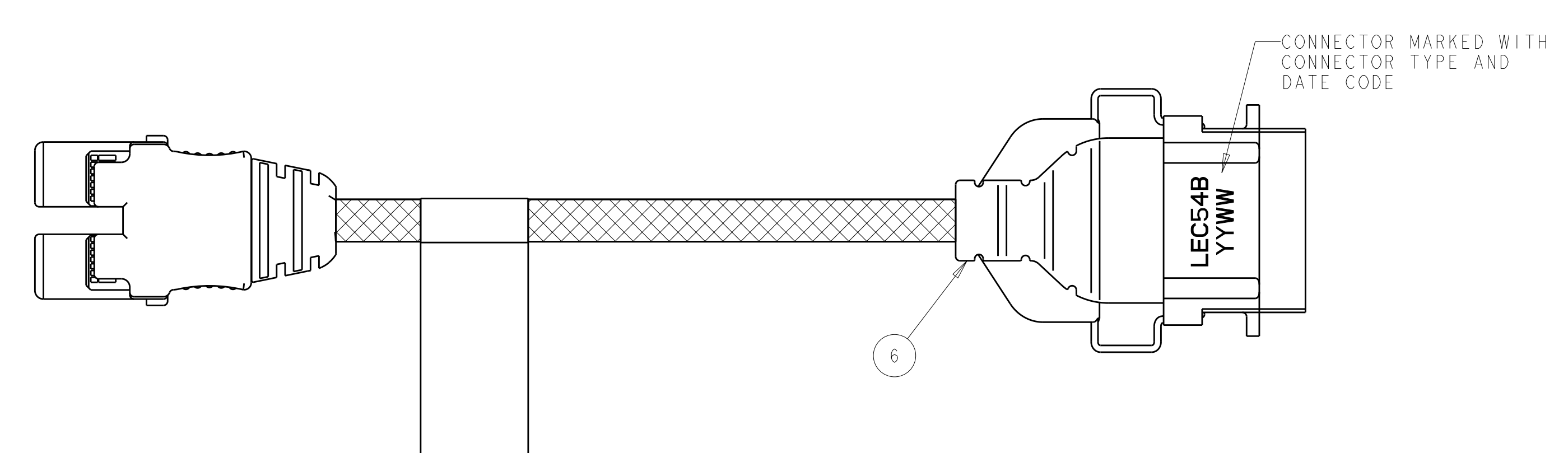
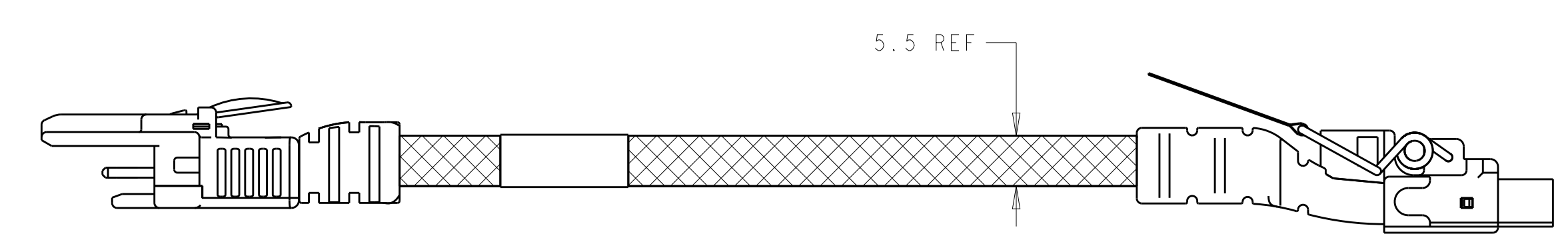
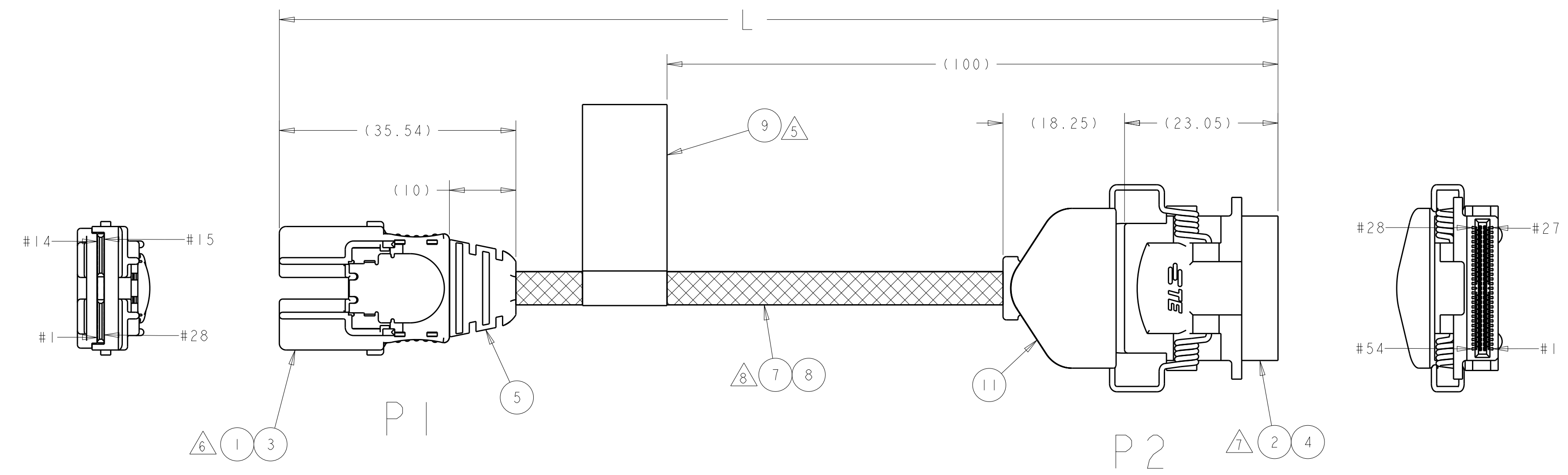
Tel: +86-755-8981 8866 Fax: +86-755-8427 6832

Email & Skype: info@chipsmall.com Web: www.chipsmall.com

Address: A1208, Overseas Decoration Building, #122 Zhenhua RD., Futian, Shenzhen, China

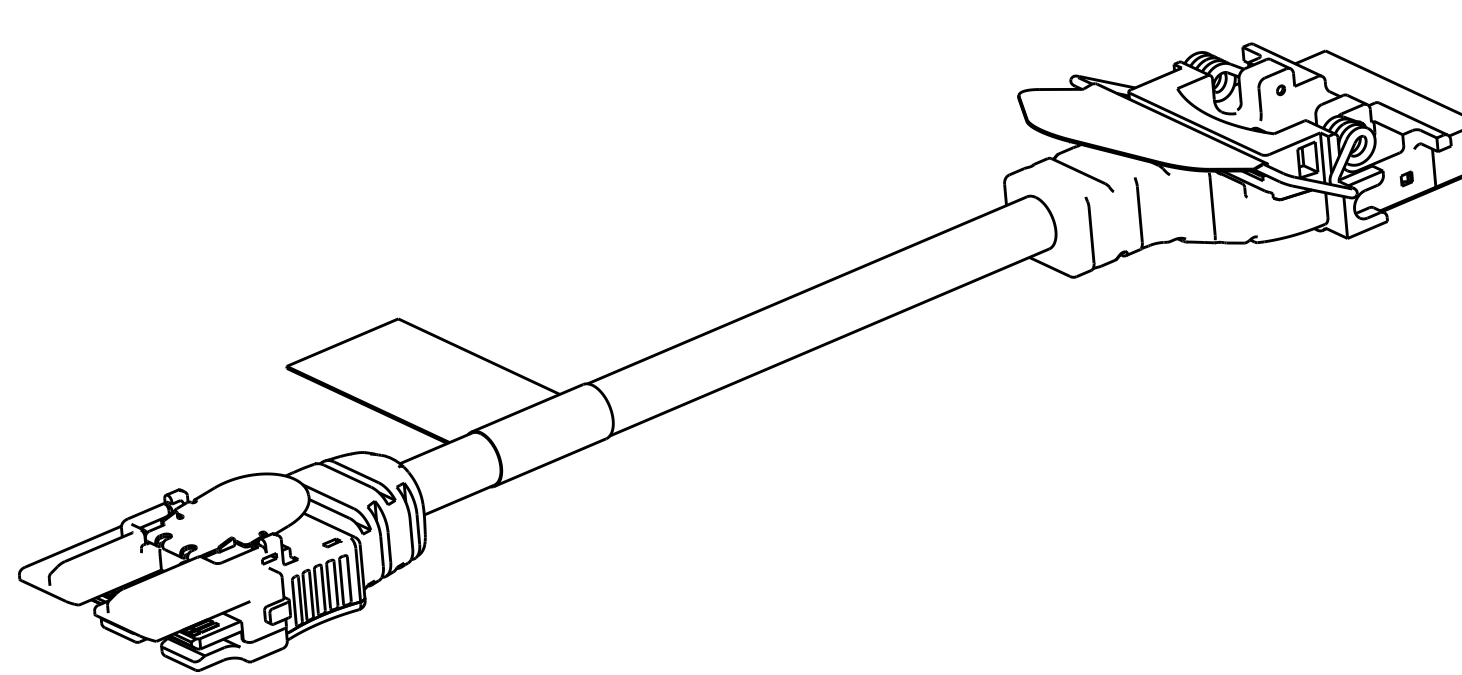


REVISIONS				
P	LTN	DESCRIPTION	DATE	OWN APVD
A		RELEASED PER ECO-17-004604	04MAR2017	CP GL



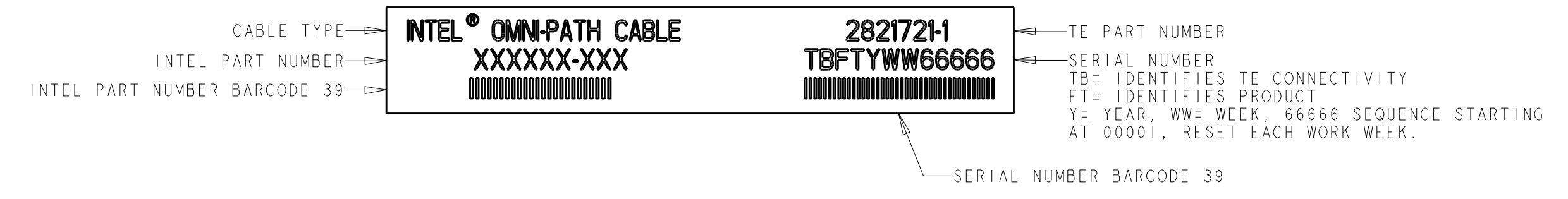
2821721-1

CABLE PINOUT			
PAIR	PIN NAME	P1	P2
GROUND BUS	-	1	1
1	HF10_RX_DN(1)	2	2
	HF10_RX_DP(1)	3	3
	GROUND BUS	4	4
GROUND BUS	-	28	4
2	HF10_RX_DN(2)	27	5
	HF10_RX_DP(2)	26	6
	GROUND BUS	25	7
3	HF10_RX_DN(3)	5	8
	HF10_RX_DP(3)	6	9
	GROUND BUS	25	10
4	HF10_RX_DN(4)	24	11
	HF10_RX_DP(4)	23	12
	GROUND BUS	22	13
GROUND BUS	-	7	14
GROUND BUS	-	8	15
5	HF10_TX_DP(4)	9	16
	HF10_TX_DN(4)	10	17
	GROUND BUS	21	18
6	HF10_TX_DP(3)	20	19
	HF10_TX_DN(3)	19	20
	GROUND BUS	11	21
7	HF10_TX_DP(2)	12	22
	HF10_TX_DN(2)	13	23
	GROUND BUS	14	24
GROUND BUS	-	18	24
8	HF10_TX_DP(1)	17	25
	HF10_TX_DN(1)	16	26
	GROUND BUS	15	27



- THIS ASSEMBLY CONFORMS TO INTEL PART NO. (SEE TABLE).
- EACH ASSEMBLY TESTED FOR OPENS, SHORTS AND SIGNAL INTEGRITY.
- ROHS AND REACH COMPLIANCE: PRODUCT AND PROCESSING MEETS THE REQUIREMENTS OF TE SPECIFICATION TEC-138-702.
- EACH ASSEMBLY PACKAGED IN AN ANTISTATIC BAG.

△ LABEL INFORMATION (ITEM 9): 2821721-1

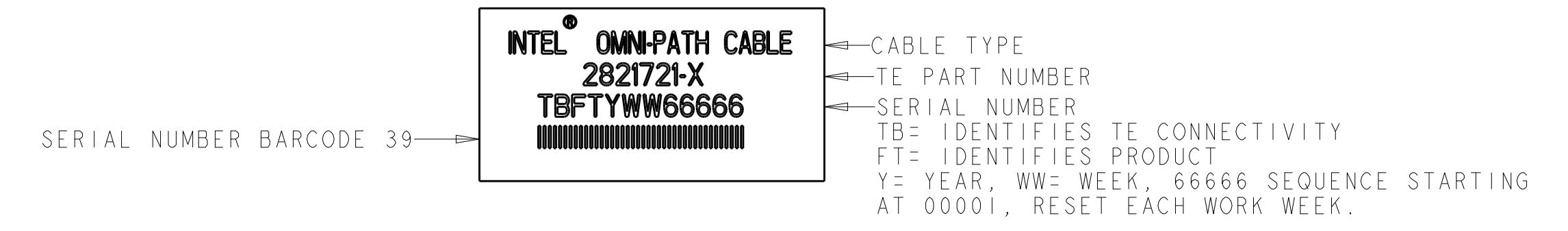


△ FINISH (CONTACT PADS): 30µIN MINIMUM GOLD PER TE SPEC 112-162-1 OVER 100µIN MINIMUM NICKEL PER TE SPEC 112-25-2.

△ FINISH: 50µIN MINIMUM GOLD PER TE SPEC 112-162-5, IN LOCALIZED GOLD PLATE AREA, OVER 50µIN MINIMUM NICKEL PER TE SPEC 112-25-2 ON ENTIRE STOCK.

△ CABLE PART #: 023B2LF023
 CABLE SPEC: 104-1587

△ LABEL INFORMATION (ITEM 10): 2821721-2



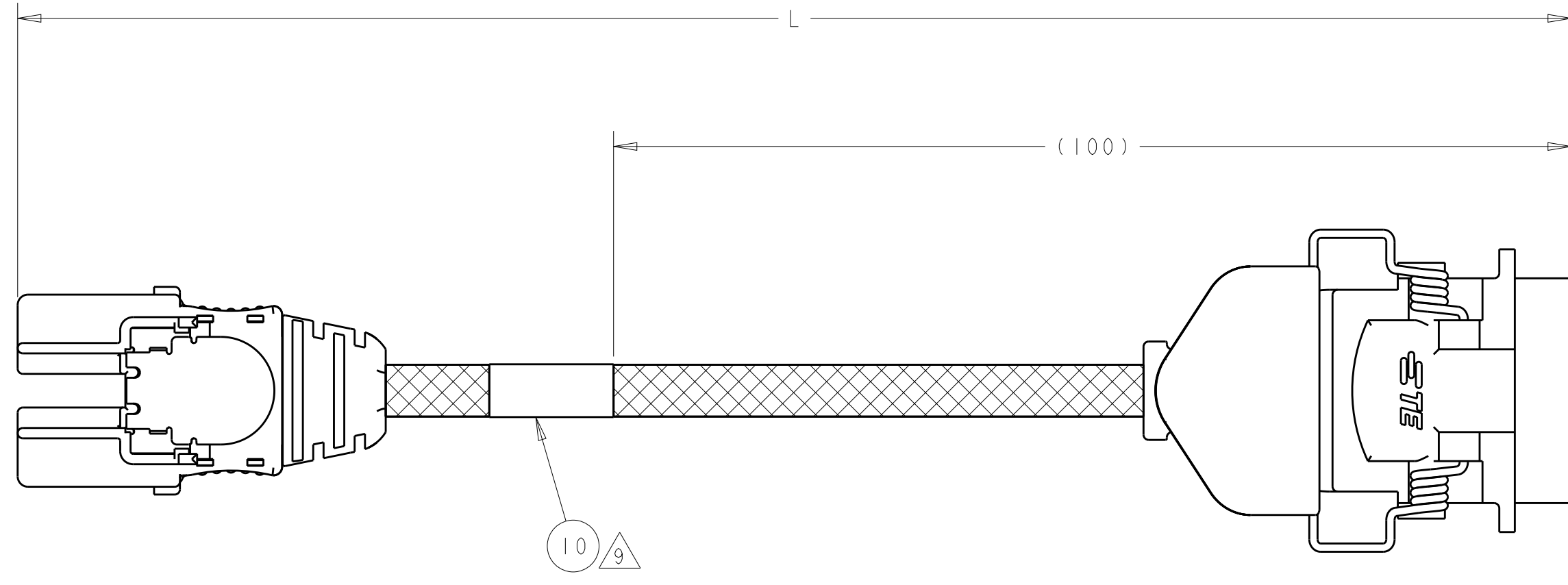
10. CABLE ASSEMBLY BUILT IN ACCORDANCE WITH INTEL DESIGN GUIDE 1.0

△ WRAP (SHEET 2)	320±5	-	2821721-2
△ FLAG (SHEET 1)	150±5	H86172-005	2821721-1
LABEL TYPE	L	INTEL PART NO	TE PART NO

1	1	PULL TAB	11
1	-	LABEL, WRAP	10
-	1	LABEL, FLAG	9
AR	AR	SLEEVING, EXPANDABLE	8
AR	AR	85 OHM TWINAX CABLE, 30AWG 25G TURBO TWIN™ △	7
1	1	OVERMOLDED STRAIN RELIEF, LECB	6
1	1	OVERMOLDED STRAIN RELIEF, IFP	5
1	1	DUST COVER, LECB (NOT SHOWN)	4
1	1	DUST COVER, IFP (NOT SHOWN)	3
1	1	LEC 54B RECPT, 54 POSN	2
1	1	IFP PLUG, 28 POSN	1
-2	-1	DESCRIPTION	ITEM NO

THIS DRAWING IS A CONTROLLED DOCUMENT.		OWN T. SMITH 17JUL2016	APVD C. POGASH 17JUL2016	NAME IFP ASSEMBLY, TYPE B, STRAIGHT 1-PORT, NON-INVERTED
DIMENSIONS:	TOLERANCES UNLESS OTHERWISE SPECIFIED:	PRODUCT SPEC		
mm	0 PLC ±0.5 1 PLC ±0.5 2 PLC ±0.13 3 PLC ±0.013 4 PLC ±0.001	APPLICATION SPEC		
MATERIAL TBD	FINISH	WEIGHT	SIZE A1	SCALE 2:1
CUSTOMER DRAWING		SHEET 1 OF 2		REV A

REVISIONS				
P.	LTN	DESCRIPTION	DATE	APVD
		SEE SHEET 1		



2821721-2
 WRAP LABEL
 REQUIREMENT
 ALL ASSEMBLY REQUIREMENTS
 SAME AS -1 EXCEPT FOR LABEL

THIS DRAWING IS A CONTROLLED DOCUMENT.		DWN T. SMITH 17 JUL 2016 CHK C. POGASH 17 JUL 2016 APVD -	TE Connectivity	
DIMENSIONS: mm 		TOLERANCES UNLESS OTHERWISE SPECIFIED: 0 PLC ± 1 PLC ±0.5 2 PLC ±0.13 3 PLC ±0.013 4 PLC ±0.001 ANGLES ±		NAME 1FP ASSEMBLY, TYPE B, STRAIGHT I-PORT, NON-INVERTED PRODUCT SPEC - APPLICATION SPEC -
MATERIAL TBD	FINISH -	WEIGHT -	SIZE A1 CAGE CODE - DRAWING NO. C=2821721	RESTRICTED TO -
CUSTOMER DRAWING		SCALE 2:1	SHEET 2 OF 2	REV A