



Chipsmall Limited consists of a professional team with an average of over 10 year of expertise in the distribution of electronic components. Based in Hongkong, we have already established firm and mutual-benefit business relationships with customers from,Europe,America and south Asia,supplying obsolete and hard-to-find components to meet their specific needs.

With the principle of “Quality Parts,Customers Priority,Honest Operation,and Considerate Service”,our business mainly focus on the distribution of electronic components. Line cards we deal with include Microchip,ALPS,ROHM,Xilinx,Pulse,ON,Everlight and Freescale. Main products comprise IC,Modules,Potentiometer,IC Socket,Relay,Connector.Our parts cover such applications as commercial,industrial, and automotives areas.

We are looking forward to setting up business relationship with you and hope to provide you with the best service and solution. Let us make a better world for our industry!



Contact us

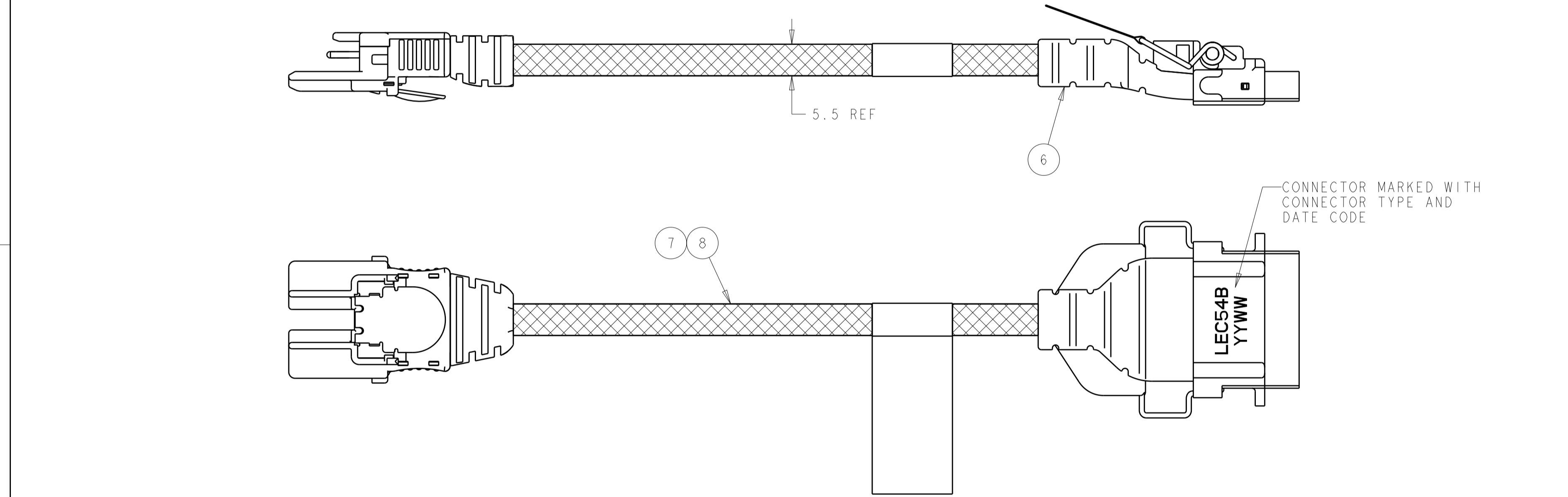
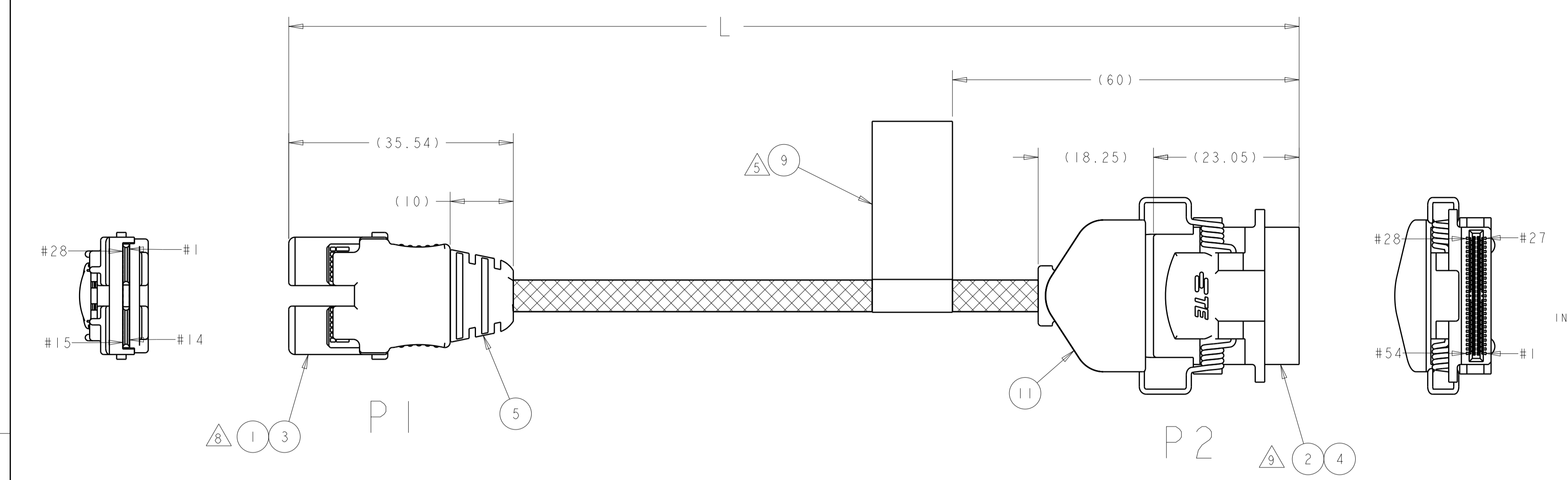
Tel: +86-755-8981 8866 Fax: +86-755-8427 6832

Email & Skype: info@chipsmall.com Web: www.chipsmall.com

Address: A1208, Overseas Decoration Building, #122 Zhenhua RD., Futian, Shenzhen, China

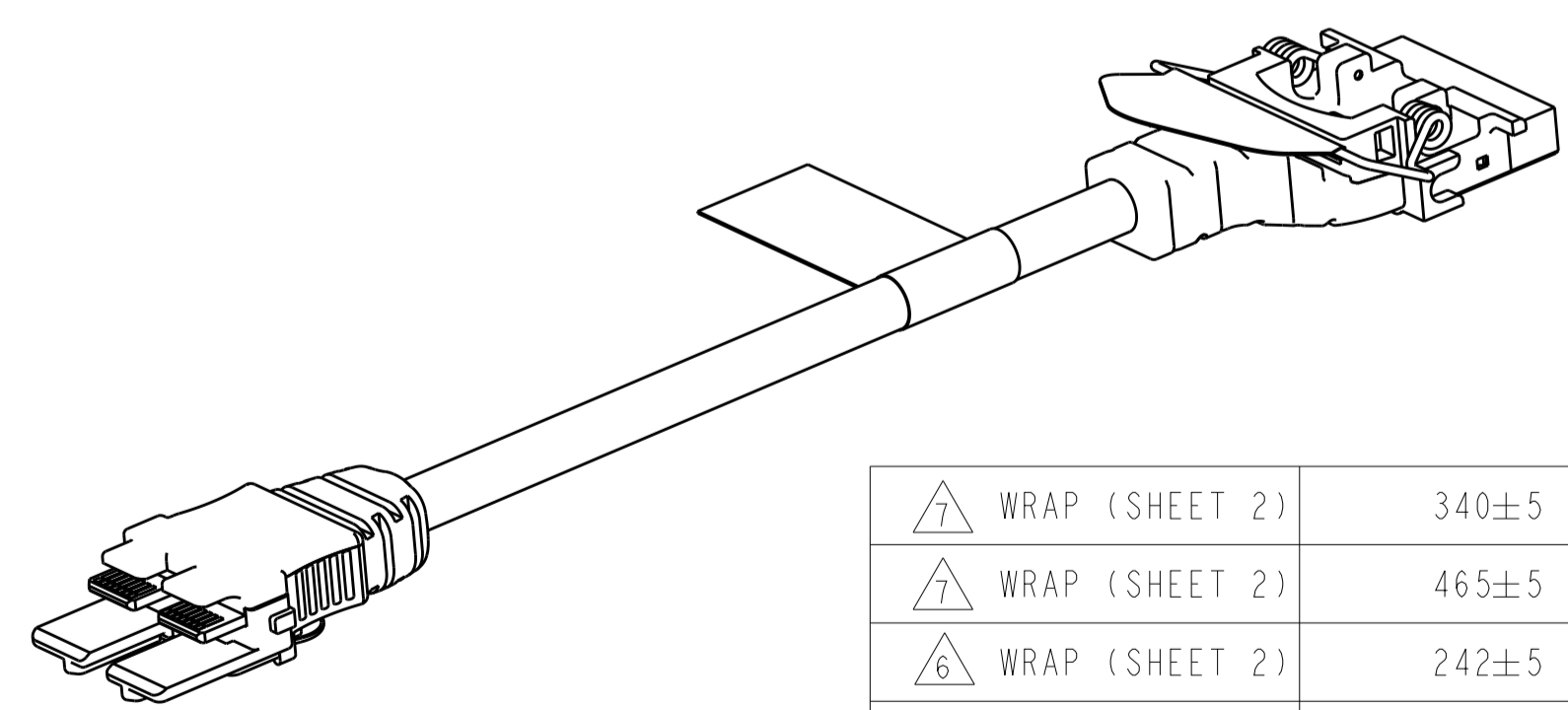


REVISIONS				
P	LTN	DESCRIPTION	DATE	OWN APVD
A		RELEASED PER ECO-17-004604	27APR2017	CP GL
B		ADD NEW PN -7	06JUN2017	GL CP



CABLE PINOUT			
PAIR	PIN NAME	P1	P2
GROUND BUS	-	1	1
1	HF10_RX_DN(1)	2	2
	HF10_RX_DP(1)	3	3
GROUND BUS	-	4	4
GROUND BUS	-	28	4
2	HF10_RX_DN(2)	27	5
	HF10_RX_DP(2)	26	6
GROUND BUS	-	25	7
3	HF10_RX_DN(3)	5	8
	HF10_RX_DP(3)	6	9
GROUND BUS	-	25	10
4	HF10_RX_DN(4)	24	11
	HF10_RX_DP(4)	23	12
GROUND BUS	-	22	13
GROUND BUS	-	7	14
GROUND BUS	-	8	15
5	HF10_TX_DP(4)	9	16
	HF10_TX_DN(4)	10	17
GROUND BUS	-	21	18
6	HF10_TX_DP(3)	20	19
	HF10_TX_DN(3)	19	20
GROUND BUS	-	11	21
7	HF10_TX_DP(2)	12	22
	HF10_TX_DN(2)	13	23
GROUND BUS	-	14	24
GROUND BUS	-	18	24
8	HF10_TX_DP(1)	17	25
	HF10_TX_DN(1)	16	26
GROUND BUS	-	15	27

2821722-1, -2



△7	WRAP (SHEET 2)	340±5	J62082-005	2821722-7
△7	WRAP (SHEET 2)	465±5	H74966-005	2821722-4 △12
△6	WRAP (SHEET 2)	242±5	-	2821722-3
△5	FLAG (SHEET 1)	205±5	H74965-005	2821722-2
△5	FLAG (SHEET 1)	160±5	H86174-005	2821722-1
	LABEL TYPE	L	INTEL PART NO	TE PART NO

- THIS ASSEMBLY CONFORMS TO INTEL PART NO. (SEE TABLE).
 - EACH ASSEMBLY TESTED FOR OPENS, SHORTS AND SIGNAL INTEGRITY.
 - ROHS AND REACH COMPLIANCE: PRODUCT AND PROCESSING MEETS THE REQUIREMENTS OF TE SPECIFICATION TEC-138-702.
 - EACH ASSEMBLY PACKAGED IN AN ANTISTATIC BAG.
- △5 LABEL INFORMATION: (ITEM 9): 2821722-1, -2
- CABLE TYPE → INTEL PART NUMBER → INTEL PART NUMBER BARCODE 39 →
- INTEL® OMNI-PATH CABLE**
XXXXXX-XXX
2821722-X
TBFTYWW66666
- TE PART NUMBER → SERIAL NUMBER → TB= IDENTIFIES TE CONNECTIVITY FT= IDENTIFIES PRODUCT Y= YEAR, WW= WEEK, 66666 SEQUENCE STARTING AT 00001, RESET EACH WORK WEEK. → SERIAL NUMBER BARCODE 39 →
- △6 LABEL INFORMATION (ITEM 11): 2821722-3 (SEE SHEET 2)
- CABLE TYPE → TE PART NUMBER → SERIAL NUMBER → TB= IDENTIFIES TE CONNECTIVITY FT= IDENTIFIES PRODUCT Y= YEAR, WW= WEEK, 66666 SEQUENCE STARTING AT 00001, RESET EACH WORK WEEK. →
- INTEL® OMNI-PATH CABLE**
2821722-X
TBFTYWW66666
- SERIAL NUMBER BARCODE 39 →
- △7 LABEL INFORMATION (ITEM 11): 2821722-4, -7 (SEE SHEET 2)
- CABLE TYPE → INTEL PART NUMBER → INTEL PART NUMBER BARCODE 39 → TE PART NUMBER → SERIAL NUMBER → TB= IDENTIFIES TE CONNECTIVITY FT= IDENTIFIES PRODUCT Y= YEAR, WW= WEEK, 66666 SEQUENCE STARTING AT 00001, RESET EACH WORK WEEK. →
- INTEL® OMNI-PATH CABLE**
XXXXXX-XXX
2821722-X
TBFTYWW66666
- SERIAL NUMBER BARCODE 39 →
- △8 FINISH (CONTACT PADS): 30µIN MINIMUM GOLD PER TE SPEC 112-162-1 OVER 100µIN MINIMUM NICKEL PER TE SPEC 112-25-2.
- △9 FINISH: 50µIN MINIMUM GOLD PER TE SPEC 112-162-5, IN LOCALIZED GOLD PLATE AREA, OVER 50µIN MINIMUM NICKEL PER TE SPEC 112-25-2 ON ENTIRE STOCK.
- △10 CABLE PART #: 023B2LF023
CABLE SPEC: 104-1587
11. CABLE ASSEMBLY BUILT IN ACCORDANCE WITH INTEL DESIGN GUIDE 1.0
- △12 CABLE ASSEMBLY LENGTH OFFERED BY TE IS NOT REFERENCED WITHIN INTEL DESIGN GUIDE 1.0.

	I	I	I	I	I	PULL TAB		I
	I	I	I	-	-	LABEL, WRAP		10
	-	-	-	I	I	LABEL, FLAG		9
AR	AR	AR	AR	AR	AR	SLEEVING, EXPANDABLE		8
AR	AR	AR	AR	AR	AR	85 OHM TWINAX CABLE, 30AWG 25G TURBO TWINTM △10		7
I	I	I	I	I	I	OVERMOLDED STRAIN RELIEF, LECB		6
I	I	I	I	I	I	OVERMOLDED STRAIN RELIEF, IFP		5
I	I	I	I	I	I	DUST COVER, LECB (NOT SHOWN)		4
I	I	I	I	I	I	DUST COVER, IFP (NOT SHOWN)		3
I	I	I	I	I	I	LEC 54B RECPT, 54 POSN		2
I	I	I	I	I	I	IFP PLUG, 28 POSN		1
-7	-4	-3	-2	-1		DESCRIPTION		ITEM NO

THIS DRAWING IS A CONTROLLED DOCUMENT. OWN: T. SMITH 17JUL2016. CHK: C. POGASH 17JUL2016. APVD: -

DIMENSIONS: mm. TOLERANCES UNLESS OTHERWISE SPECIFIED: 0 PLC ±0.5, 1 PLC ±0.5, 2 PLC ±0.13, 3 PLC ±0.13, 4 PLC ±0.13, ANGLES ±.

MATERIAL: -. FINISH: -.

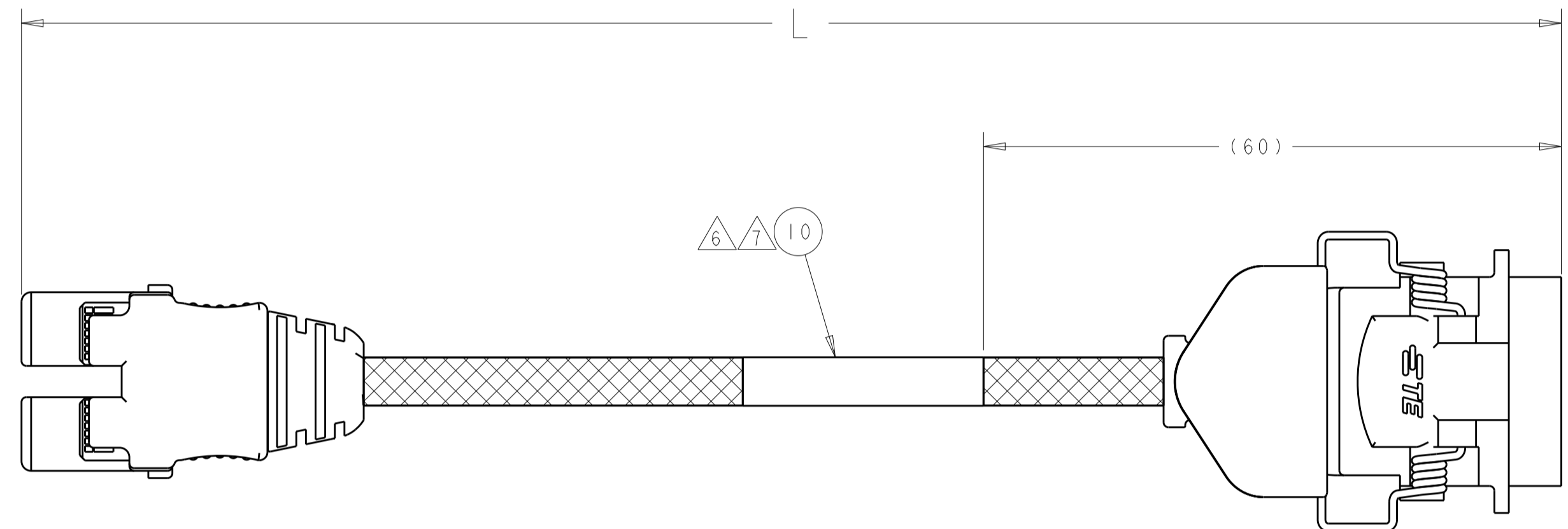
PRODUCT SPEC: -. APPLICATION SPEC: -. WEIGHT: -. SIZE: A1. CAGE CODE: -. DRAWING NO: C=2821722. RESTRICTED TO: -. CUSTOMER DRAWING: -. SCALE: 2:1. SHEET: 1 OF 2. REV: B.

TE Connectivity

IFP ASSEMBLY, TYPE B, STRAIGHT EXIT I-PORT, INVERTED.

THIS DRAWING IS UNPUBLISHED. RELEASED FOR PUBLICATION
 © COPYRIGHT copyright dbt ALL RIGHTS RESERVED.

REVISIONS				
P.	LTN	DESCRIPTION	DATE	APVD
		SEE SHEET 1		



**2821722-3, -4, -7
 WRAP AROUND LABEL
 REQUIREMENT
 ALL ASSEMBLY REQUIREMENTS
 SAME AS -1 EXCEPT FOR
 LABEL**

THIS DRAWING IS A CONTROLLED DOCUMENT.		DWN T. SMITH 17 JUL 2016 CHK C. POGASH 17 JUL 2016 APVD -		
DIMENSIONS: mm 		TOLERANCES UNLESS OTHERWISE SPECIFIED: 0 PLC ± 1 PLC ±0.5 2 PLC ±0.13 3 PLC ±0.013 4 PLC ± ANGLES ±		NAME I-PORT ASSEMBLY, TYPE B, STRAIGHT EXIT I-PORT, INVERTED. PRODUCT SPEC - APPLICATION SPEC -
MATERIAL	FINISH	WEIGHT	SIZE A1 CAGE CODE - DRAWING NO. ©=2821722	RESTRICTED TO
CUSTOMER DRAWING		SCALE 2:1	SHEET 2 OF 2	REV B