



Chipsmall Limited consists of a professional team with an average of over 10 year of expertise in the distribution of electronic components. Based in Hongkong, we have already established firm and mutual-benefit business relationships with customers from,Europe,America and south Asia,supplying obsolete and hard-to-find components to meet their specific needs.

With the principle of "Quality Parts,Customers Priority,Honest Operation,and Considerate Service",our business mainly focus on the distribution of electronic components. Line cards we deal with include Microchip,ALPS,ROHM,Xilinx,Pulse,ON,Everlight and Freescale. Main products comprise IC,Modules,Potentiometer,IC Socket,Relay,Connector.Our parts cover such applications as commercial,industrial, and automotives areas.

We are looking forward to setting up business relationship with you and hope to provide you with the best service and solution. Let us make a better world for our industry!



## Contact us

Tel: +86-755-8981 8866 Fax: +86-755-8427 6832

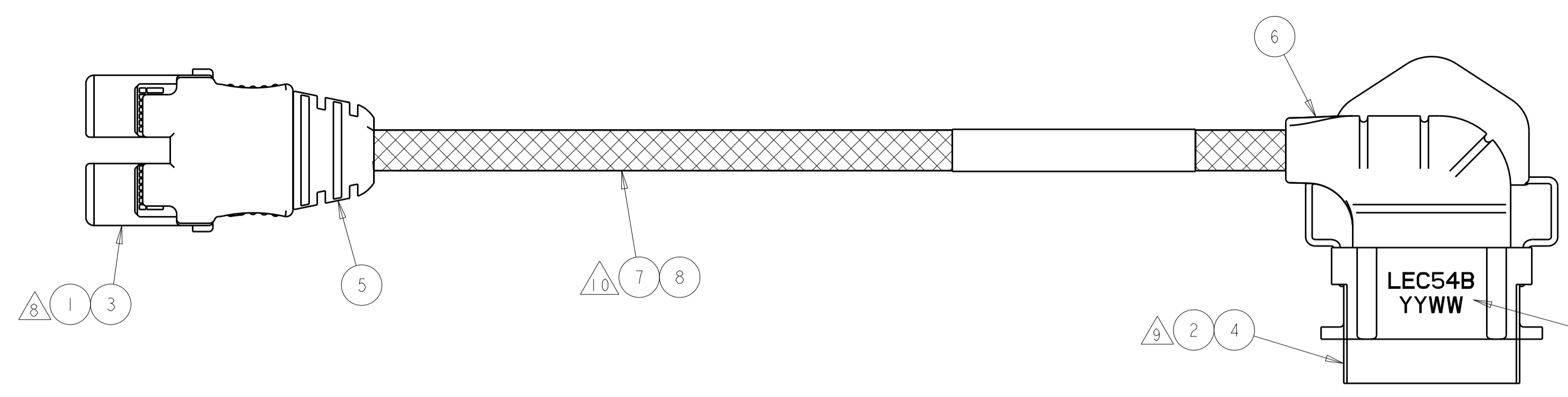
Email & Skype: info@chipsmall.com Web: www.chipsmall.com

Address: A1208, Overseas Decoration Building, #122 Zhenhua RD., Futian, Shenzhen, China

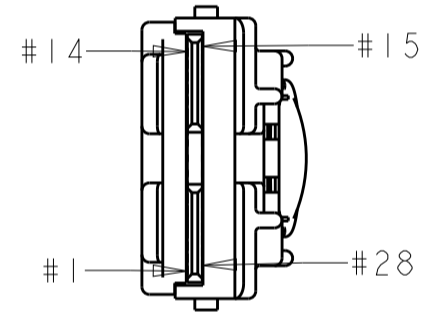
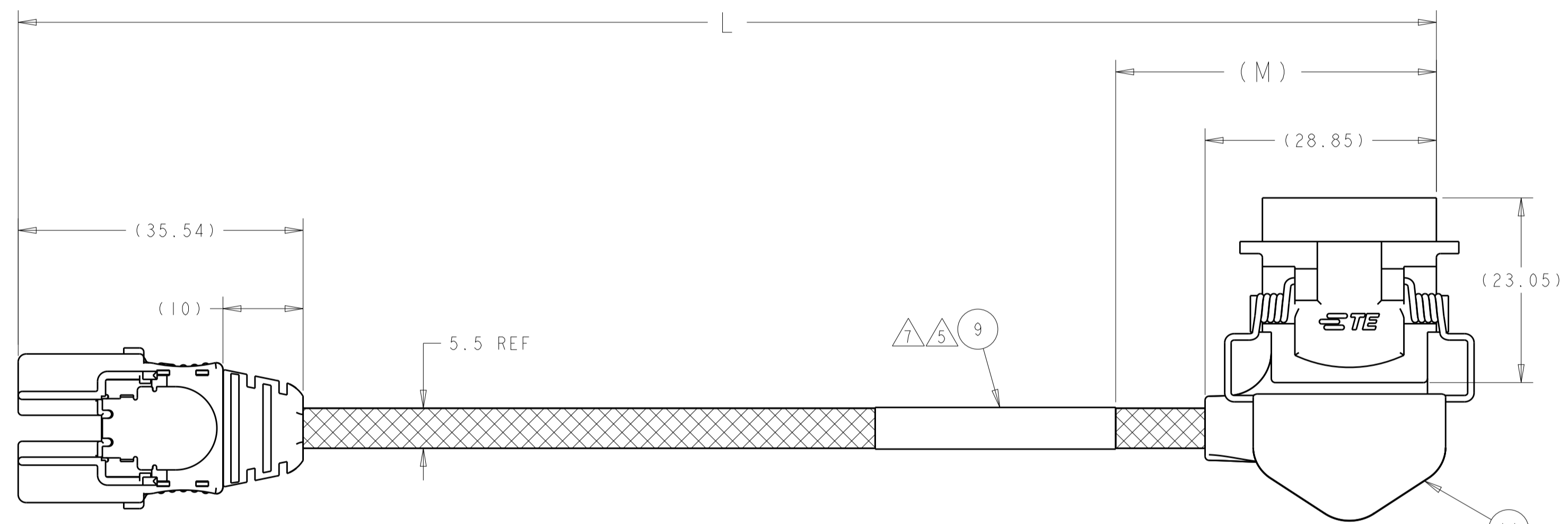
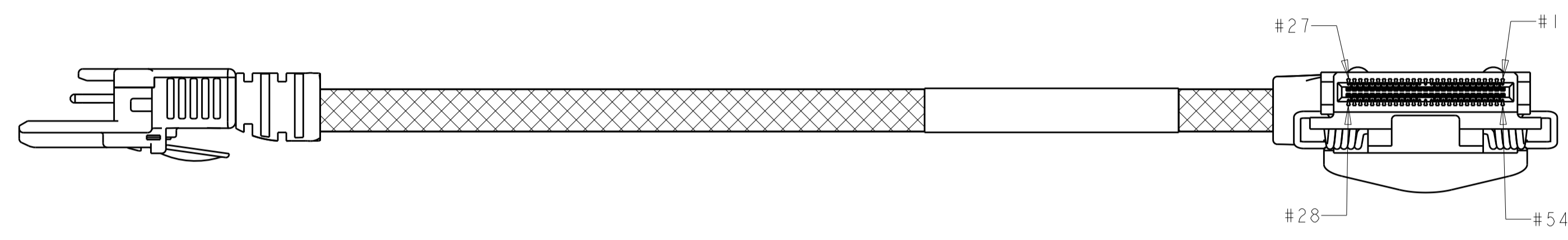


REVISIONS				
P	LTN	DESCRIPTION	DATE	APVD
A		RELEASED PER ECO-17-004604	02MAR2017	CP GL
B		RELEASED PER ECO-18-007459	24APR2018	FZ CP

CABLE PINOUT			
PAIR	PIN NAME	P1	P2
GROUND BUS	-	1	1
1	HF10_RX_DN(1)	2	2
	HF10_RX_DP(1)	3	3
GROUND BUS	-	4	4
GROUND BUS	-	28	4
2	HF10_RX_DN(2)	27	5
	HF10_RX_DP(2)	26	6
GROUND BUS	-	25	7
3	HF10_RX_DN(3)	5	8
	HF10_RX_DP(3)	6	9
GROUND BUS	-	25	10
4	HF10_RX_DN(4)	24	11
	HF10_RX_DP(4)	23	12
GROUND BUS	-	22	13
GROUND BUS	-	7	14
GROUND BUS	-	8	15
5	HF10_TX_DP(4)	9	16
	HF10_TX_DN(4)	10	17
GROUND BUS	-	21	18
6	HF10_TX_DP(3)	20	19
	HF10_TX_DN(3)	19	20
GROUND BUS	-	11	21
7	HF10_TX_DP(2)	12	22
	HF10_TX_DN(2)	13	23
GROUND BUS	-	14	24
GROUND BUS	-	18	24
8	HF10_TX_DP(1)	17	25
	HF10_TX_DN(1)	16	26
GROUND BUS	-	15	27



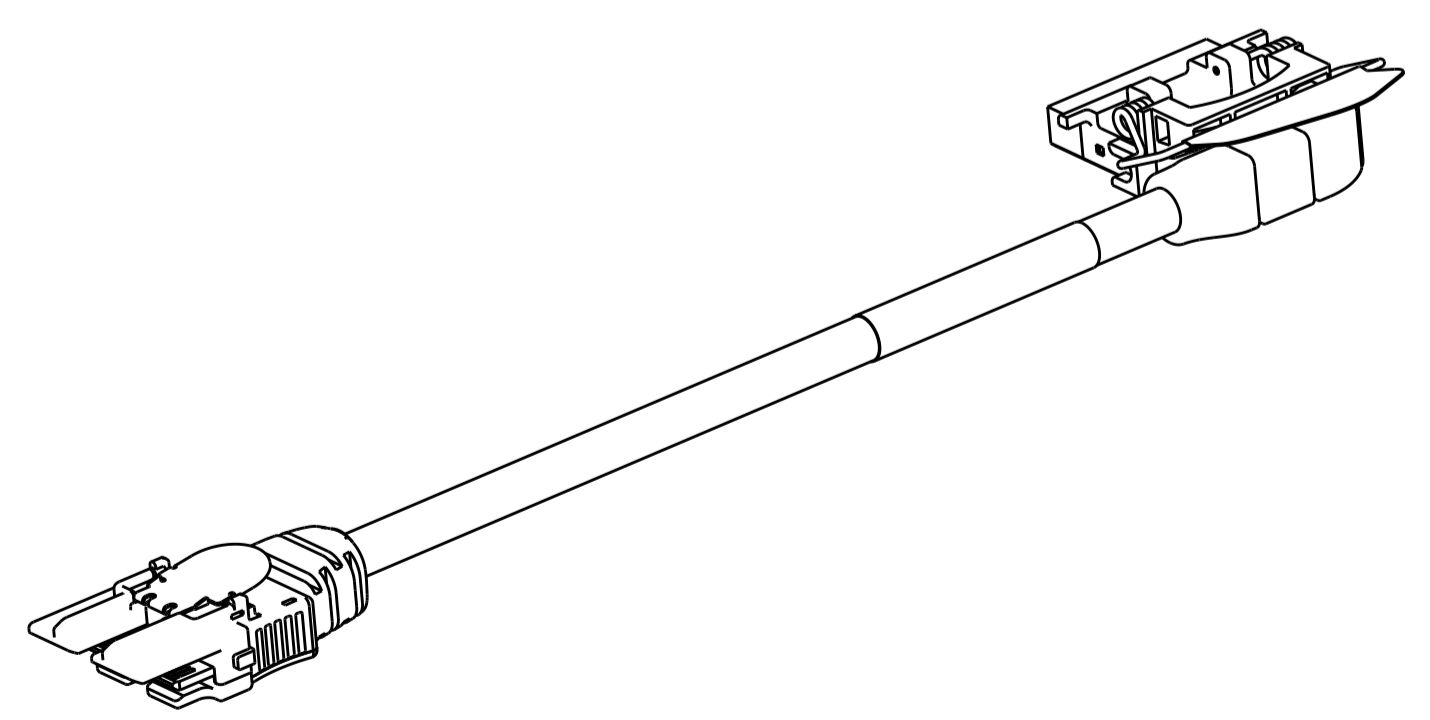
CONNECTOR MARKED WITH CONNECTOR TYPE AND DATE CODE



P1

P2

2821723-1, -2, -3, -5, -6



△ WRAP (SHEET 1)	60	600±5	-	2821723-6 △12
△ WRAP (SHEET 1)	60	460±5	-	2821723-5 △12
△ FLAG (SHEET 2)	60	142±5	-	2821723-4
△ WRAP (SHEET 1)	40	515±5	H95969-005	2821723-3 △12
△ WRAP (SHEET 1)	100	371±5	H68075-005	2821723-2
△ WRAP (SHEET 1)	40	335±5	H95968-005	2821723-1
LABEL TYPE	(M)	L	INTEL PART NO	TE PART NO

1	1	1	1	1	1	PULL TAB	11
-	-	1	-	-	-	LABEL, FLAG	10
1	1	-	1	1	1	LABEL, WRAP	9
AR	AR	AR	AR	AR	AR	SLEEVING, EXPANDABLE	8
AR	AR	AR	AR	AR	AR	85 OHM TWINAX CABLE, 30AWG 25G TURBO TWIN™ △10	7
1	1	1	1	1	1	OVERMOLDED STRAIN RELIEF, LECB	6
1	1	1	1	1	1	OVERMOLDED STRAIN RELIEF, IFP	5
1	1	1	1	1	1	DUST COVER, LECB (NOT SHOWN)	4
1	1	1	1	1	1	DUST COVER, IFP (NOT SHOWN)	3
1	1	1	1	1	1	LEC 54B RECPT, 54 POSN	2
1	1	1	1	1	1	IFP PLUG, 28 POSN	1
-6	-5	-4	-3	-2	-1	DESCRIPTION	ITEM NO

THIS DRAWING IS A CONTROLLED DOCUMENT.

OWN: T. SMITH 17 JUL 2016  
 CHG: C. POGASH 17 JUL 2016

DIMENSIONS: mm  
 TOLERANCES UNLESS OTHERWISE SPECIFIED:  
 0 PLC ±0.5  
 1 PLC ±0.5  
 2 PLC ±0.13  
 3 PLC ±0.013  
 4 PLC ±0.013  
 ANGLES ±0.5°

MATERIAL: -  
 FINISH: -

APVD: -  
 PRODUCT SPEC: -  
 APPLICATION SPEC: -  
 WEIGHT: -  
 CUSTOMER DRAWING

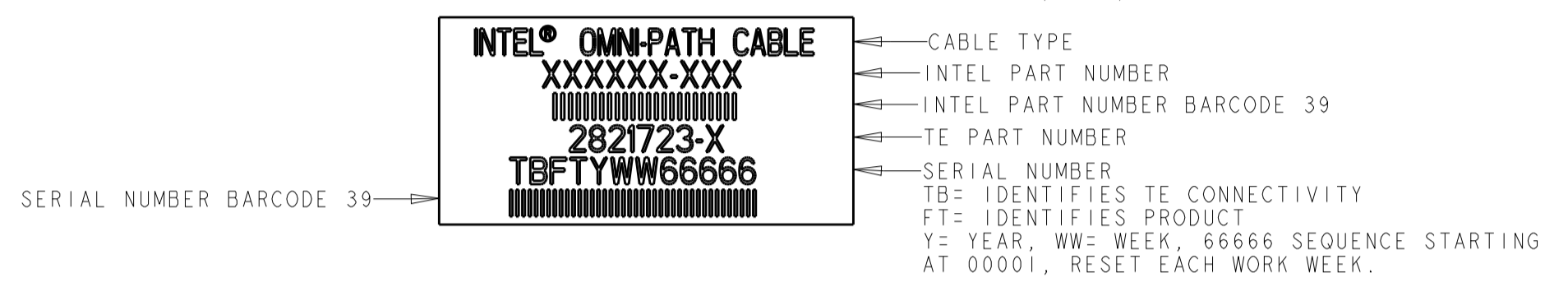
NAME: IFP ASSEMBLY, TYPE B, LEFT EXIT 1-PORT, NON-INVERTED.  
 SIZE: A1  
 CAGE CODE: -  
 DRAWING NO: 2821723  
 SCALE: 2:1  
 SHEET 1 OF 2  
 REV B

STE TE Connectivity

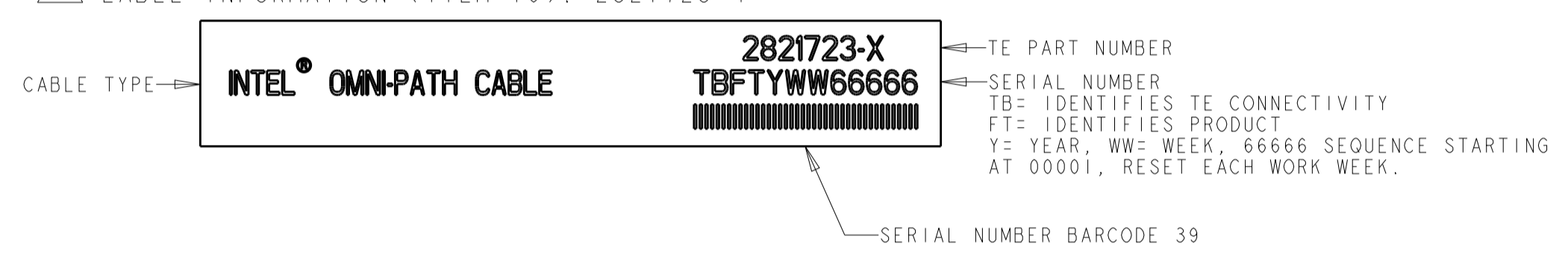
REVISIONS				
P.	LTN	DESCRIPTION	DATE	OWN APVD
		SEE SHEET 1		

1. THIS ASSEMBLY CONFORMS TO INTEL PART NO. (SEE TABLE).
2. EACH ASSEMBLY TESTED FOR OPENS, SHORTS AND SIGNAL INTEGRITY.
3. ALL MATERIALS, COMPONENTS, AND PROCESSES SHALL COMPLY WITH TEC-138-702 AND CONTAIN NO BANNED OR RESTRICTED SUBSTANCES.
4. EACH ASSEMBLY PACKAGED IN ESD MOISTURE BARRIER BAG WITH DESICCANT.

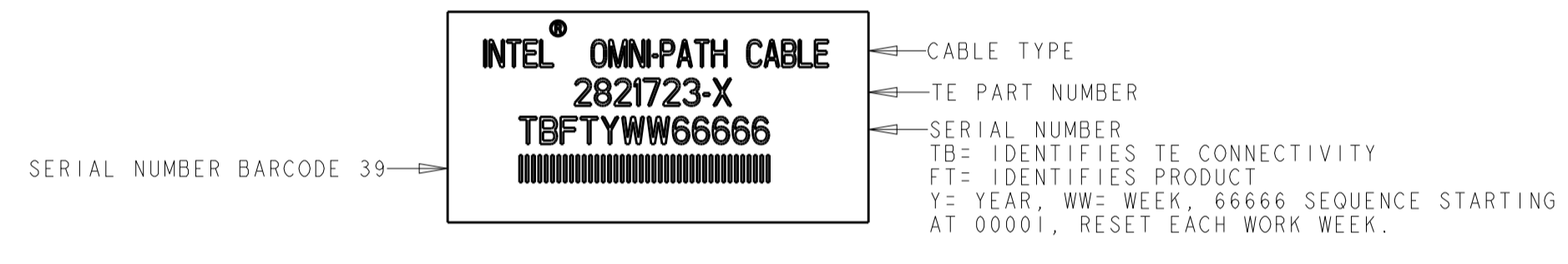
5 LABEL INFORMATION (ITEM 9): 2821723-1, -2, -3



6 LABEL INFORMATION (ITEM 10): 2821723-4



7 LABEL INFORMATION (ITEM 9): 2821723-5, -6



8 FINISH (CONTACT PADS): 30μIN MINIMUM GOLD PER TE SPEC 112-162-1 OVER 100μIN MINIMUM NICKEL PER TE SPEC 112-25-2.

9 FINISH: 50μIN MINIMUM GOLD PER TE SPEC 112-162-5, IN LOCALIZED GOLD PLATE AREA, OVER 50μIN MINIMUM NICKEL PER TE SPEC 112-25-2 ON ENTIRE STOCK.

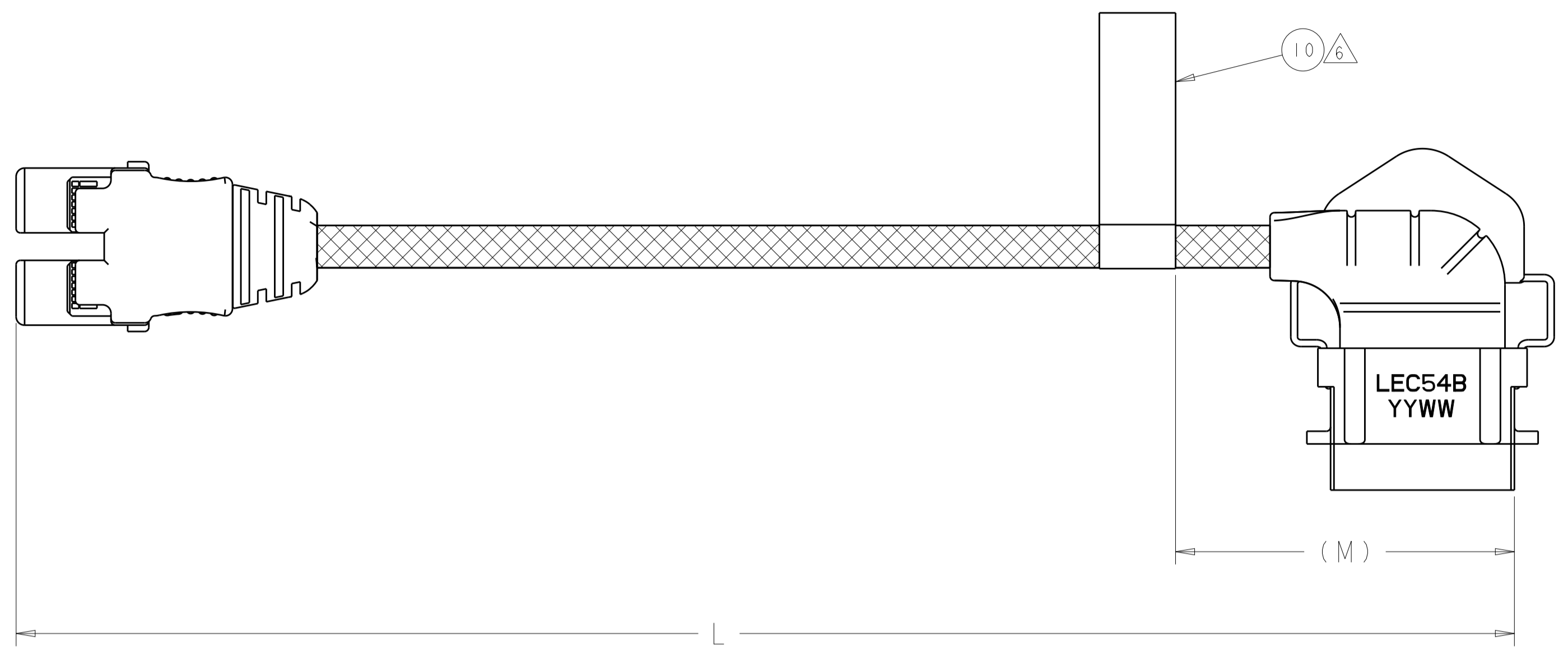
10 CABLE PART #: 023B2LF023  
 CABLE SPEC: 104-1587

11. CABLE ASSEMBLY BUILT IN ACCORDANCE WITH INTEL DESIGN GUIDE 1.0

12 CABLE ASSEMBLY LENGTH OFFERED BY TE IS NOT REFERENCED WITHIN INTEL DESIGN GUIDE 1.0

13. NO REACH SVHC SHALL BE CONTAINED ABOVE THE THRESHOLD AS DEFINED IN THE REACH SVHC COMPLIANCE DEFINITION WITHIN ANNEX A OF TEC-138-702.

14. ALL PRODUCT COMPONENTS AND PROCESSES SHALL MEET THE HALOGEN REQUIREMENTS OF CODE 2: Br<900ppm, Cl<900ppm, Br+Cl<1500ppm PER HOMOGENOUS MATERIAL.



**2821723-4  
 FLAG LABEL  
 REQUIREMENT  
 ALL ASSEMBLY REQUIREMENTS  
 SAME AS -1 EXCEPT FOR  
 LABEL**

THIS DRAWING IS A CONTROLLED DOCUMENT.		OWN T. SMITH 17 JUL 2016	TE Connectivity	
DIMENSIONS:		CHK C. POGASH 17 JUL 2016	NAME IFP ASSEMBLY, TYPE B, LEFT EXIT 1-PORT, NON-INVERTED.	
mm	TOLERANCES UNLESS OTHERWISE SPECIFIED:	APVD	PRODUCT SPEC	RESTRICTED TO
	0 PLC ±		APPLICATION SPEC	
	1 PLC ±0.5			
	2 PLC ±0.13			
	3 PLC ±0.013			
	4 PLC ±			
	ANGLES ±			
	FINISH			
MATERIAL		WEIGHT	SIZE A1	CAGE CODE C=2821723
			DRAWING NO C=2821723	SCALE 2:1
		CUSTOMER DRAWING	SHEET 2	OF 2
			REV B	