



Chipsmall Limited consists of a professional team with an average of over 10 year of expertise in the distribution of electronic components. Based in Hongkong, we have already established firm and mutual-benefit business relationships with customers from,Europe,America and south Asia,supplying obsolete and hard-to-find components to meet their specific needs.

With the principle of “Quality Parts,Customers Priority,Honest Operation,and Considerate Service”,our business mainly focus on the distribution of electronic components. Line cards we deal with include Microchip,ALPS,ROHM,Xilinx,Pulse,ON,Everlight and Freescale. Main products comprise IC,Modules,Potentiometer,IC Socket,Relay,Connector.Our parts cover such applications as commercial,industrial, and automotives areas.

We are looking forward to setting up business relationship with you and hope to provide you with the best service and solution. Let us make a better world for our industry!



## Contact us

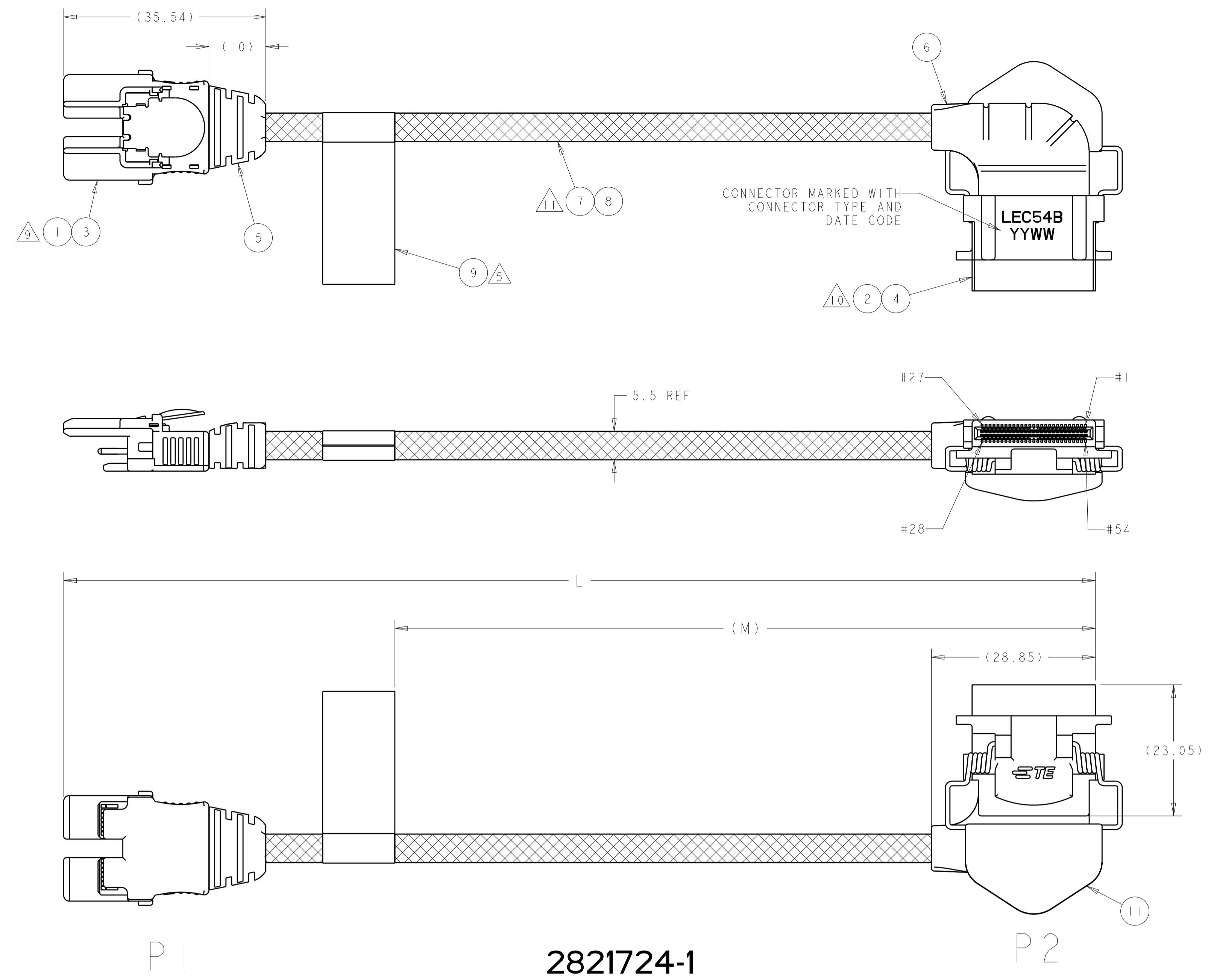
Tel: +86-755-8981 8866 Fax: +86-755-8427 6832

Email & Skype: info@chipsmall.com Web: www.chipsmall.com

Address: A1208, Overseas Decoration Building, #122 Zhenhua RD., Futian, Shenzhen, China



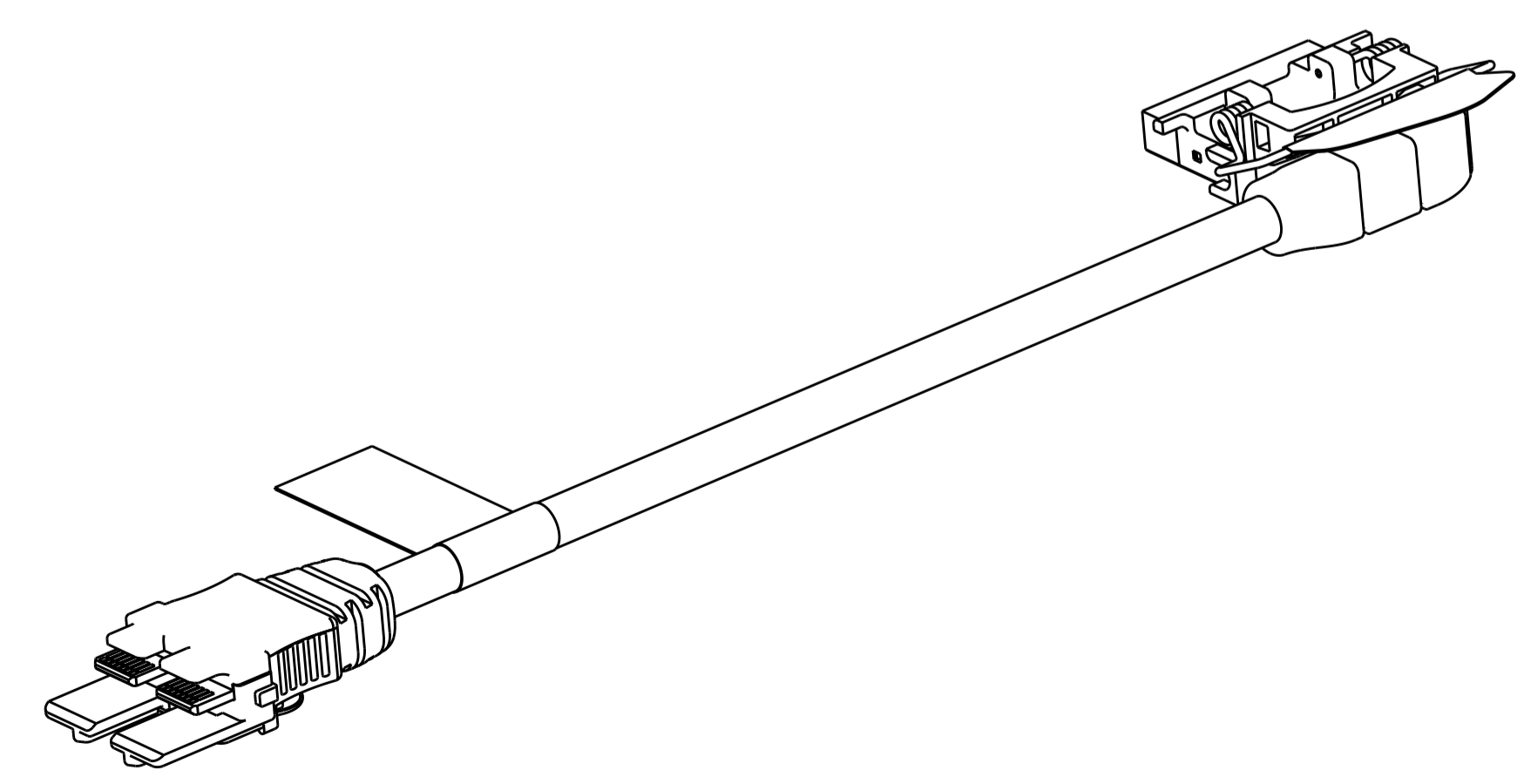
REVISIONS				
P.	LTR.	DESCRIPTION	DATE	APVD.
A		RELEASED	03APR2017	GL CP
B		REVISED PER ECO-17-004604	20APR2017	CP GL
C		REVISED ECO-17-013749	19SEP2017	GL CP
D		REVISED ECO-18-007459	24APR2018	FZ CP



P1 **2821724-1** P2

CABLE PINOUT			
PAIR	PIN NAME	P1	P2
GROUND BUS	-	1	1
1	HF10_RX_DN(1)	2	2
	HF10_RX_DP(1)	3	3
GROUND BUS	-	4	4
GROUND BUS	-	28	4
2	HF10_RX_DN(2)	27	5
	HF10_RX_DP(2)	26	6
GROUND BUS	-	25	7
3	HF10_RX_DN(3)	5	8
	HF10_RX_DP(3)	6	9
GROUND BUS	-	25	10
4	HF10_RX_DN(4)	24	11
	HF10_RX_DP(4)	23	12
GROUND BUS	-	22	13
GROUND BUS	-	7	14
GROUND BUS	-	8	15
5	HF10_TX_DP(4)	9	16
	HF10_TX_DN(4)	10	17
GROUND BUS	-	21	18
6	HF10_TX_DP(3)	20	19
	HF10_TX_DN(3)	19	20
GROUND BUS	-	11	21
7	HF10_TX_DP(2)	12	22
	HF10_TX_DN(2)	13	23
GROUND BUS	-	14	24
GROUND BUS	-	18	24
8	HF10_TX_DP(1)	17	25
	HF10_TX_DN(1)	16	26
GROUND BUS	-	15	27

△6	WRAP (SHEET 2)	40	235±5	H79267-005	1-2821724-1△3
△7	WRAP (SHEET 2)	60	405±5	-	2821724-7
△7	WRAP (SHEET 2)	60	500±5	-	2821724-6△12
△6	WRAP (SHEET 2)	60	439±5	H74964-005	2821724-5
△7	WRAP (SHEET 2)	60	419±5	-	2821724-4
△6	WRAP (SHEET 2)	100	318±5	H86176-005	2821724-3
△6	WRAP (SHEET 2)	40	235±5	H79267-005	2821724-2
△5	FLAG (SHEET 1)	60	178±5	H74963-005	2821724-1
	LABEL TYPE	(M)	L	INTEL PART NO	TE PART NO



										PULL TAB	
										LABEL, WRAP	10
-	-	-	-	-	-	-	-	-	-	LABEL, FLAG	9
AR	AR	AR	AR	AR	AR	AR	AR	AR	AR	SLEEVING, EXPANDABLE	8
AR	AR	AR	AR	AR	AR	AR	AR	AR	AR	85 OHM TWINAX CABLE, 30AWG 25G TURBO TWIN™ △1	7
										OVERMOLDED STRAIN RELIEF, LECB	6
										OVERMOLDED STRAIN RELIEF, IFP	5
										DUST COVER, LECB (NOT SHOWN)	4
										DUST COVER, IFP (NOT SHOWN)	3
										LEC 54B RECPT, 54 POSN	2
										IFP PLUG, 28 POSN	1
1-1	-7	-6	-5	-4	-3	-2	-1			DESCRIPTION	ITEM NO

THIS DRAWING IS A CONTROLLED DOCUMENT. DWG: T. SMITH 13JUL2016  
 CHK: C. POGASH 13JUL2016

DIMENSIONS: mm  
 TOLERANCES UNLESS OTHERWISE SPECIFIED:  
 0 PLC ±0.5  
 1 PLC ±0.13  
 2 PLC ±0.13  
 3 PLC ±0.013  
 4 PLC ±0.013  
 ANGLES ±0.1°  
 FINISH

MATERIAL: -  
 FINISH: -

APVD: -  
 PRODUCT SPEC: -  
 APPLICATION SPEC: -  
 WEIGHT: -

NAME: IFP ASSEMBLY, TYPE B, LEFT EXIT I-PORT, INVERTED  
 SIZE: A1  
 CAGE CODE: -  
 DRAWING NO: C=2821724  
 RESTRICTED TO: -

CUSTOMER DRAWING SCALE: 2:1 SHEET 1 OF 2 REV D

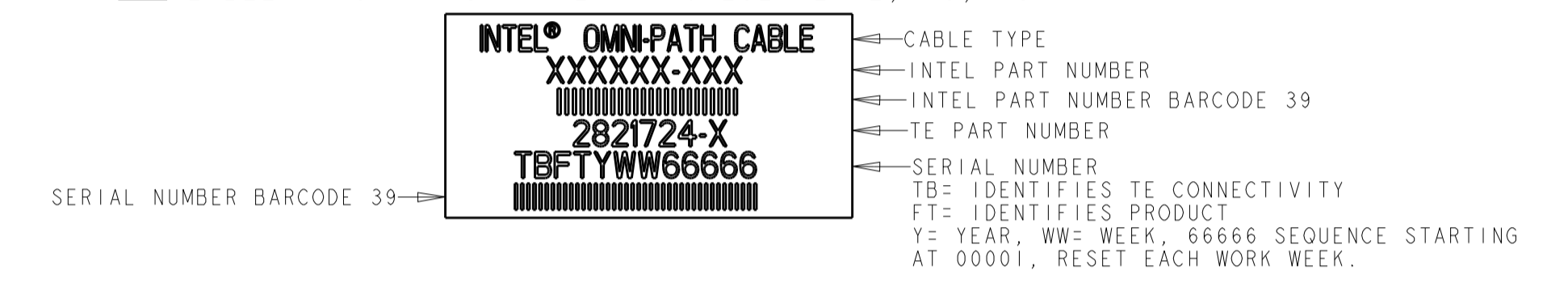
REVISIONS				
P.	LTN	DESCRIPTION	DATE	OWN APVD
		SEE SHEET 1		

1. THIS ASSEMBLY CONFORMS TO INTEL PART NO. (SEE TABLE).
2. EACH ASSEMBLY TESTED FOR OPENS, SHORTS AND SIGNAL INTEGRITY.
3. ALL MATERIALS, COMPONENTS AND PROCESS SHALL COMPLY WITH TEC-138-702 AND CONTAIN NO BANNED OR RESTRICTED SUBSTANCES.
4. EACH ASSEMBLY PACKAGED IN ESD MOISTURE BARRIER BAG WITH DESICCANT.

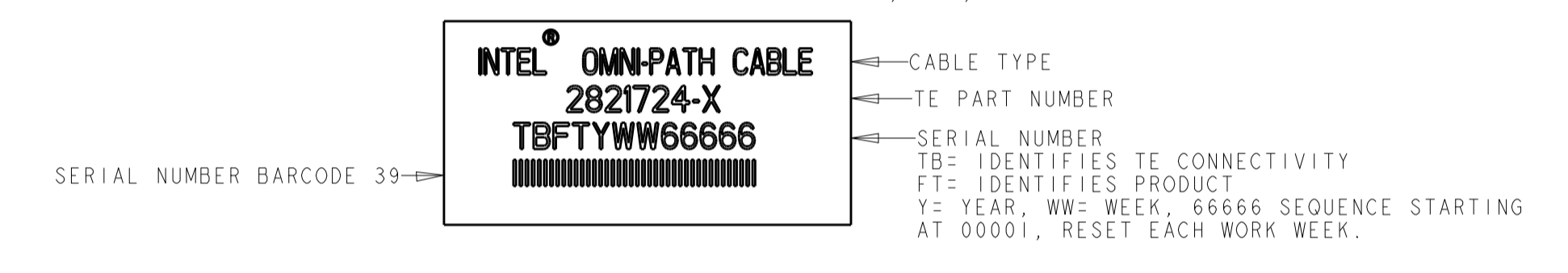
△ LABEL INFORMATION: (ITEM 9): 2821724-1 (SEE SHEET 1)



△ LABEL INFORMATION (ITEM 10): 2821724-2, -3, -5

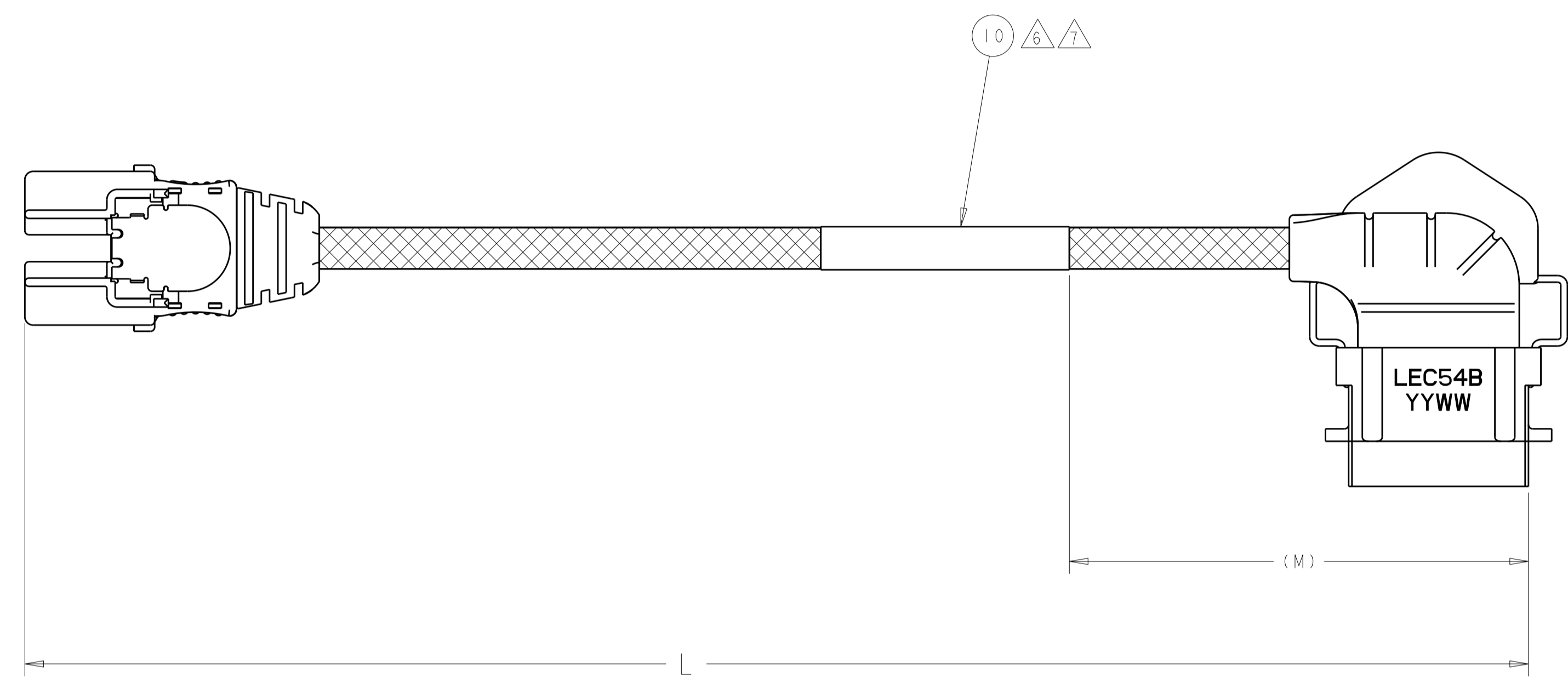


△ LABEL INFORMATION (ITEM 10): 2821724-4, -6, -7



8. CABLE ASSEMBLY BUILT IN ACCORDANCE WITH INTEL DESIGN GUIDE 1.0
9. FINISH (CONTACT PADS): 30μIN MINIMUM GOLD PER TE SPEC 112-162-1 OVER 100μIN MINIMUM NICKEL PER TE SPEC 112-25-2.
10. FINISH: 50μIN MINIMUM GOLD PER TE SPEC 112-162-5, IN LOCALIZED GOLD PLATE AREA, OVER 50μIN MINIMUM NICKEL PER TE SPEC 112-25-2 ON ENTIRE STOCK.
11. CABLE PART #: 023B2LF023  
CABLE SPEC: 104-1587
12. CABLE ASSEMBLY LENGTH OFFERED BY TE IS NOT REFERENCED WITHIN INTEL DESIGN GUIDE 1.0
13. REQUIRED SPECIAL PACKAGE FOLLOWING CUSTOMER SPEC: J51641-Omnipath\_kit\_TE.docx AND BELOW TABLE.

14. NO REACH SvHC SHALL BE CONTAINED ABOVE THE THRESHOLD AS DEFINED IN REACH SvHC COMPLIANCE DEFINITION IN ANNEX A OF TEC-138-702.
15. ALL PRODUCT COMPONENTS AND PROCESSES SHALL MEET THE HALOGEN REQUIREMENTS OF CODE 2: CL<900PPM, Br<900PPM, CL+Br<1500PPM PER HOMOGENEOUS MATERIAL.



**2821724-2, -3, -4, -5, -6, -7, 1-1  
 WRAP AROUND LABEL  
 REQUIREMENT  
 ALL ASSEMBLY REQUIREMENTS  
 SAME AS -1 EXCEPT FOR  
 LABEL**

PC - L6 SYSTEMS - GOLD	DESCRIPTION	UPC/EAN	MM	TA	TA REV	PBA#/ITEM/SPARE	TE CROSS PN
AXXCBL2351FPL1	IFT Omnipath Left 235 mm	UPC: 735858346092 EAN: 5032037106375	958252	J53188-001	1	H79267-005	1-2821724-1

THIS DRAWING IS A CONTROLLED DOCUMENT.		OWN T. SMITH 13JUL2016	TE Connectivity	
DIMENSIONS:		CHK C. POGASH 13JUL2016		
mm	TOLERANCES UNLESS OTHERWISE SPECIFIED:	APVD	NAME	IFT ASSEMBLY, TYPE B, LEFT EXIT I-PORT, INVERTED
0 PLC ± 1 PLC ±0.5 2 PLC ±0.13 3 PLC ±0.013 4 PLC ± ANGLES ± FINISH ±	PRODUCT SPEC APPLICATION SPEC	SIZE	RESTRICTED TO	
MATERIAL	WEIGHT	A1	CAGE CODE	DRAWING NO
	CUSTOMER DRAWING	SCALE	2:1	SHEET 2 OF 2
		REV	D	