



Chipsmall Limited consists of a professional team with an average of over 10 year of expertise in the distribution of electronic components. Based in Hongkong, we have already established firm and mutual-benefit business relationships with customers from,Europe,America and south Asia,supplying obsolete and hard-to-find components to meet their specific needs.

With the principle of “Quality Parts,Customers Priority,Honest Operation,and Considerate Service”,our business mainly focus on the distribution of electronic components. Line cards we deal with include Microchip,ALPS,ROHM,Xilinx,Pulse,ON,Everlight and Freescale. Main products comprise IC,Modules,Potentiometer,IC Socket,Relay,Connector.Our parts cover such applications as commercial,industrial, and automotives areas.

We are looking forward to setting up business relationship with you and hope to provide you with the best service and solution. Let us make a better world for our industry!



Contact us

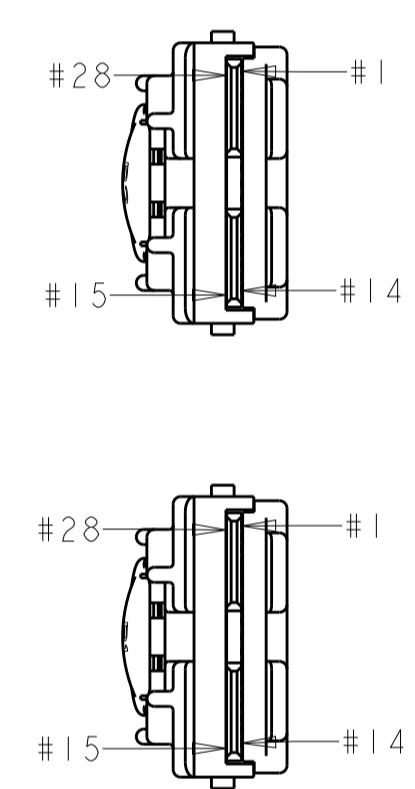
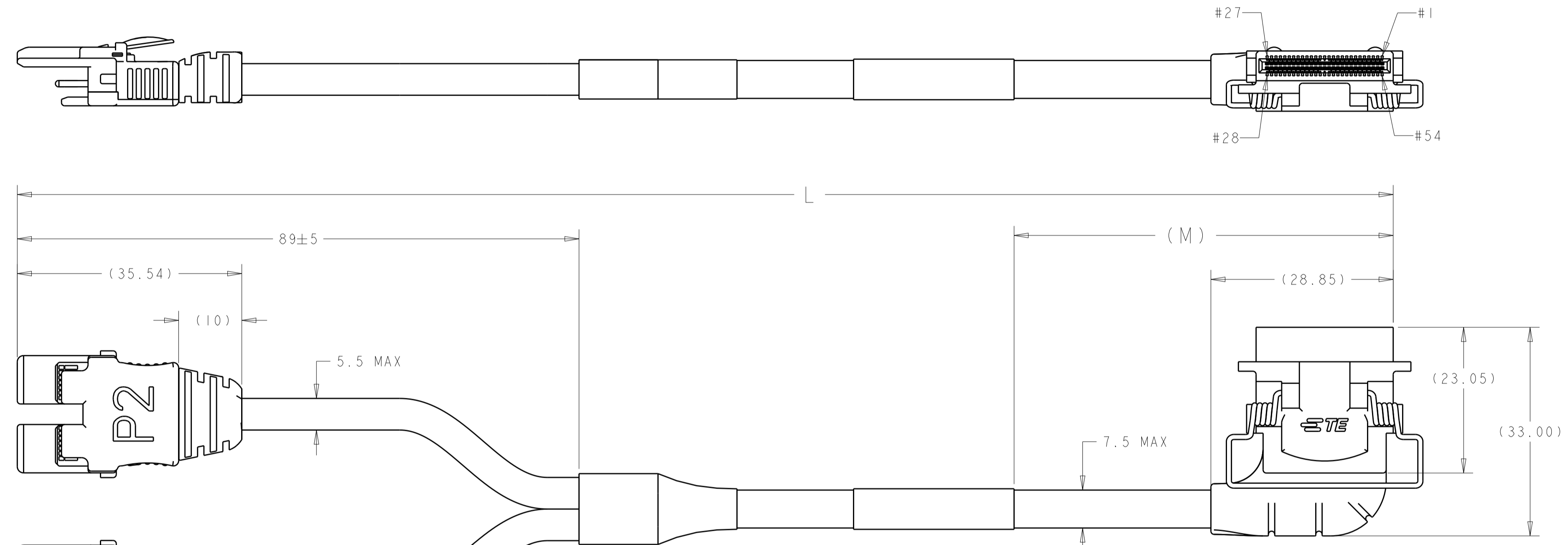
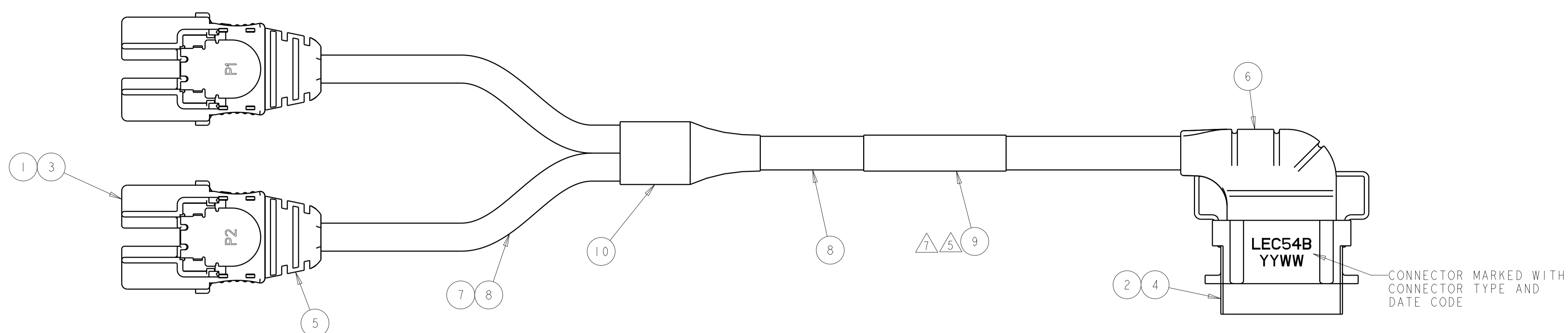
Tel: +86-755-8981 8866 Fax: +86-755-8427 6832

Email & Skype: info@chipsmall.com Web: www.chipsmall.com

Address: A1208, Overseas Decoration Building, #122 Zhenhua RD., Futian, Shenzhen, China



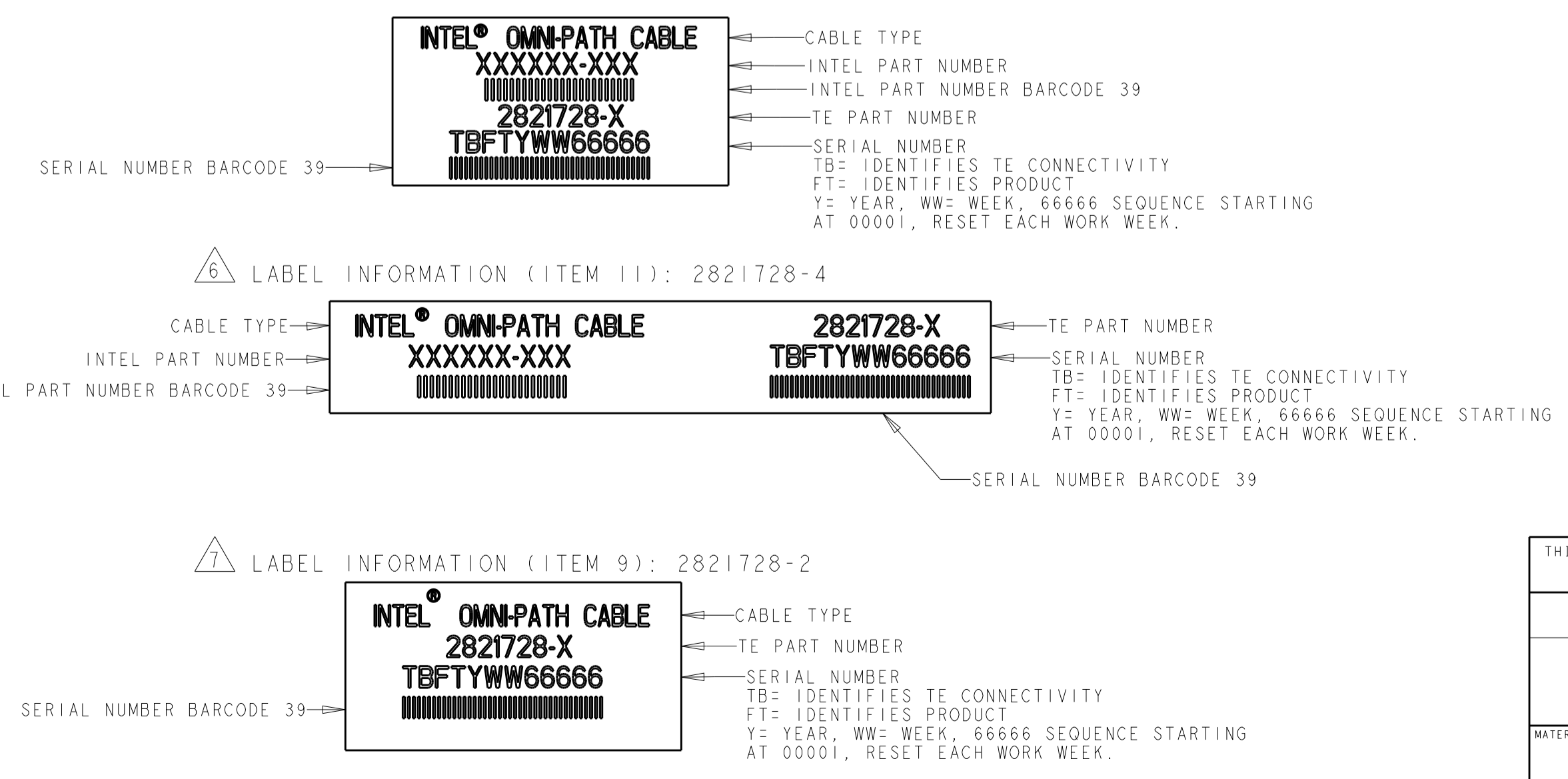
REVISIONS				
P.	LTN.	DESCRIPTION	DATE	APVD.
		SEE LAST SHEET		



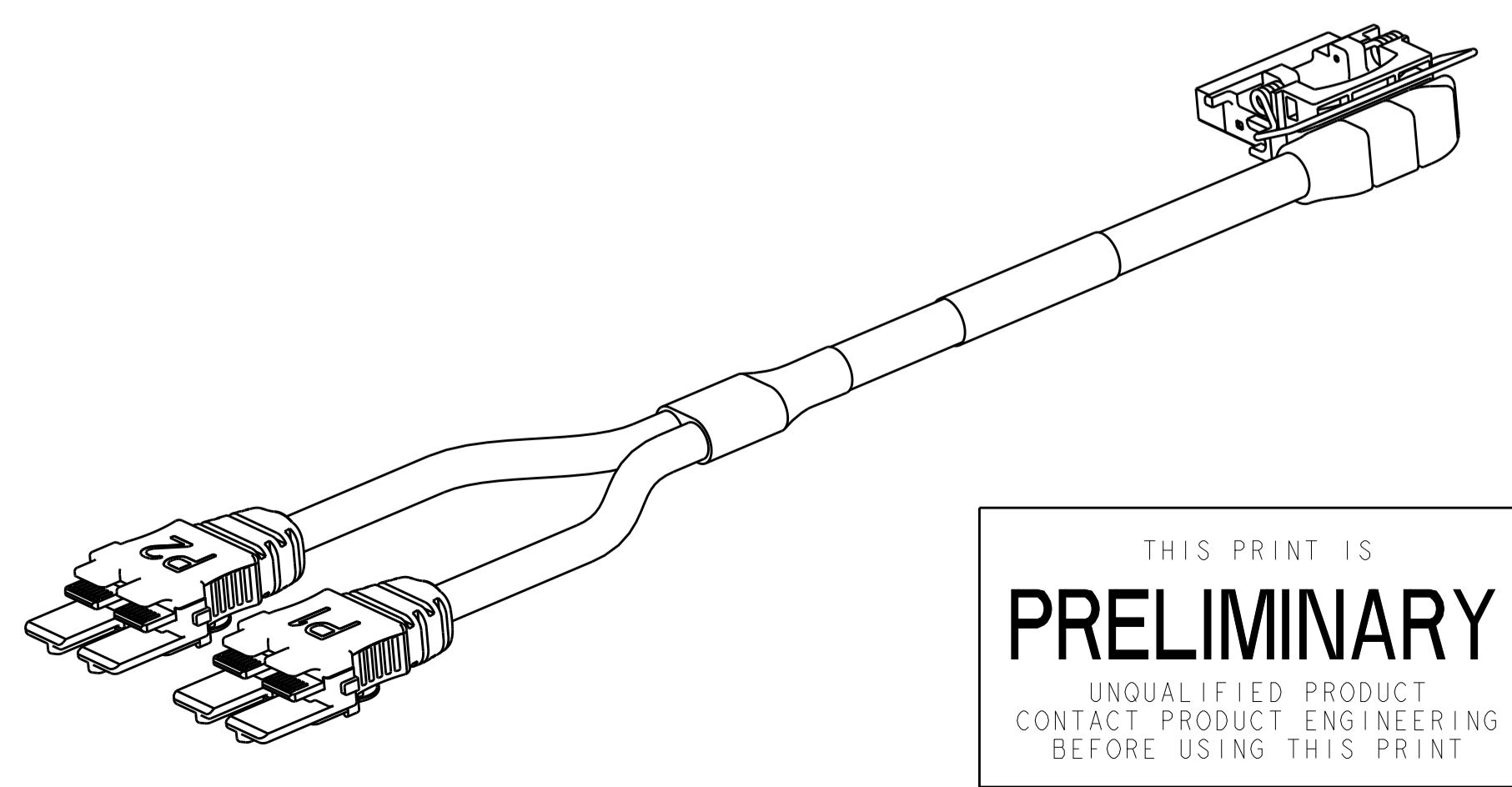
2821728-1, -2, -3

1. THIS ASSEMBLY CONFORMS TO INTEL PART NO. (SEE TABLE).
 2. EACH ASSEMBLY TESTED FOR OPENS, SHORTS AND SIGNAL INTEGRITY.
 3. ROHS AND REACH COMPLIANCE: PRODUCT AND PROCESSING MEETS THE REQUIREMENTS OF TE SPECIFICATION TEC-138-702.
 4. EACH ASSEMBLY PACKAGED IN AN ANTISTATIC BAG.
- △ 5 LABEL INFORMATION (ITEM 9): 2821728-1, -3

△	FLAG (SHEET 2)	40	178±5	H74959-003	2821728-4
△ 5	WRAP (SHEET 1)	100	439±5	H74962-003	2821728-3
△ 7	WRAP (SHEET 1)	100	500±5	-	2821728-2
△ 5	WRAP (SHEET 1)	100	340±5	H87890-003	2821728-1
	LABEL TYPE	(M)	L	INTEL PART NO	TE PART NO

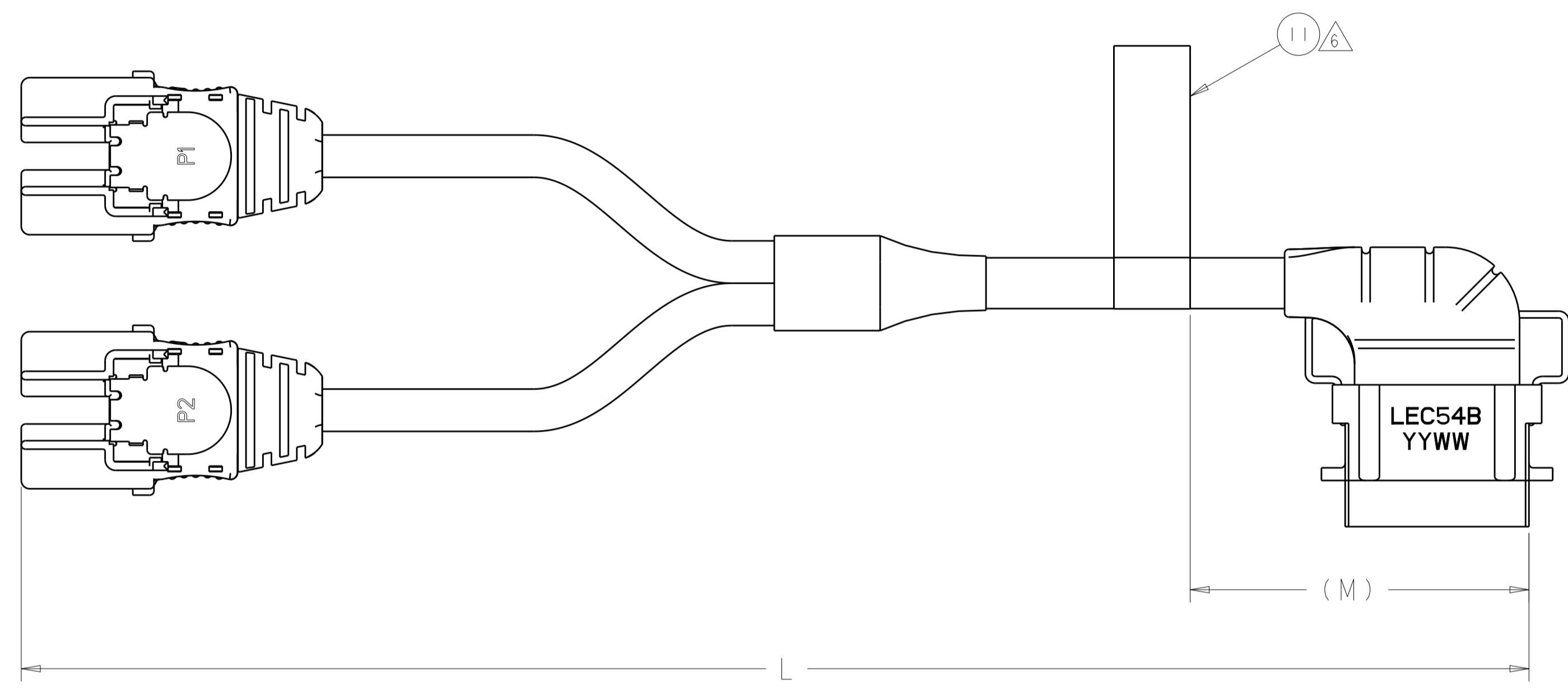


1	-	-	-	LABEL, FLAG	11
AR	AR	AR	AR	ACETATE TAPE, BLACK	10
-	1	1	1	LABEL, WRAP AROUND	9
AR	AR	AR	AR	SLEEVING, EXPANDABLE	8
AR	AR	AR	AR	CABLE, 85 OHM DISCRETE	7
1	1	1	1	OVERMOLDED STRAIN RELIEF, LECB	6
2	2	2	2	OVERMOLDED STRAIN RELIEF, IFP	5
1	1	1	1	DUST COVER, LECB (NOT SHOWN)	4
2	2	2	2	DUST COVER, IFP (NOT SHOWN)	3
1	1	1	1	LEC 54B RECPT, 54 POSN, REV 0.8	2
2	2	2	2	IFP PLUG, 28 POSN,	1
-4	-3	-2	-1	DESCRIPTION	ITEM NO



THIS DRAWING IS A CONTROLLED DOCUMENT.		OWN: T. SMITH 12JUL2016	TE Connectivity
DIMENSIONS: mm		CHK: C. POGASH 12JUL2016	
TOLERANCES UNLESS OTHERWISE SPECIFIED:		APVD:	NAME: 1FP 54B CABLE ASSEMBLY REV 0.8
0 PLC ±		PRODUCT SPEC:	SIZE: A1
1 PLC ±		APPLICATION SPEC:	CAGE CODE: -
2 PLC ±		WEIGHT:	DRAWING NO: C=2821728
3 PLC ±		MATERIAL:	RESTRICTED TO:
4 PLC ±		FINISH:	SCALE: 2:1
ANGLES ±		CUSTOMER DRAWING:	SHEET 1 OF 4
			REV 2

REVISIONS				
P.	LTN	DESCRIPTION	DATE	APVD
-	-	SEE SHEET 1	-	-



2821728-4
 FLAG LABEL
 REQUIREMENT
 ALL ASSEMBLY REQUIREMENTS
 SAME AS -1 EXCEPT FOR
 LABEL

THIS DRAWING IS A CONTROLLED DOCUMENT.		DWN T. SMITH 12JUL2016 CHK C. POGASH 12JUL2016 APVD -	TE TE Connectivity	
DIMENSIONS: mm 		TOLERANCES UNLESS OTHERWISE SPECIFIED: 0 PLC ± 1 PLC ± 2 PLC ± 3 PLC ± 4 PLC ± ANGLES ±		NAME 1FP 54B CABLE ASSEMBLY REV 0.8 -
MATERIAL - FINISH -		PRODUCT SPEC - APPLICATION SPEC - WEIGHT - CUSTOMER DRAWING		SIZE A1 CAGE CODE - DRAWING NO. 2821728 RESTRICTED TO -
4805 (3/13)		SCALE 1:1		SHEET 2 OF 4 REV 2

THIS DRAWING IS UNPUBLISHED. RELEASED FOR PUBLICATION
 © COPYRIGHT copyright_d81e- ALL RIGHTS RESERVED.

REVISIONS				
P.	LTN	DESCRIPTION	DATE	APVD
-	-	SEE SHEET 1	-	-


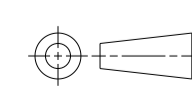
CABLE PINOUT				
PAIR	SIGNAL	P1	P2	P3
GROUND BUS	-	1	-	1
1	S1	2	-	2
	S2	3	-	3
GROUND BUS	-	28	-	4
2	S1	27	-	5
	S2	26	-	6
GROUND BUS	-	4	-	7
3	S1	5	-	8
	S2	6	-	9
GROUND BUS	-	25	-	10
4	S1	24	-	11
	S2	23	-	12
GROUND BUS	-	22	-	13
GROUND BUS	-	7	-	14
GROUND BUS	-	8	-	15
5	S1	9	-	16
	S2	10	-	17
GROUND BUS	-	21	-	18
6	S1	20	-	19
	S2	19	-	20
GROUND BUS	-	11	-	21
7	S1	12	-	22
	S2	13	-	23
GROUND BUS	-	18	-	24
8	S1	17	-	25
	S2	16	-	26
GROUND BUS	-	15	14	27
GROUND BUS	-	14	15	28
9	S1	-	16	29
	S2	-	17	30
GROUND BUS	-	-	18	31
10	S1	-	13	32
	S2	-	12	33
GROUND BUS	-	-	11	34
11	S1	-	19	35
	S2	-	20	36
GROUND BUS	-	-	21	37
12	S1	-	10	38
	S2	-	9	39
GROUND BUS	-	-	8	40
GROUND BUS	-	-	7	41
GROUND BUS	-	-	22	42
13	S1	-	23	43
	S2	-	24	44
GROUND BUS	-	-	25	45
14	S1	-	6	46
	S2	-	5	47
GROUND BUS	-	-	4	48
15	S1	-	26	49
	S2	-	27	50
GROUND BUS	-	-	28	51
16	S1	-	3	52
	S2	-	2	53
GROUND BUS	-	-	1	54

THIS PRINT IS
PRELIMINARY
 UNQUALIFIED PRODUCT
 CONTACT PRODUCT ENGINEERING
 BEFORE USING THIS PRINT

THIS DRAWING IS A CONTROLLED DOCUMENT.		DWN T. SMITH 12JUL2016 CHK C. POGASH 12JUL2016 APVD -		
DIMENSIONS: mm 	TOLERANCES UNLESS OTHERWISE SPECIFIED: 0 PLC ± 1 PLC ± 2 PLC ± 3 PLC ± 4 PLC ± ANGLES ± FINISH -	PRODUCT SPEC - APPLICATION SPEC - WEIGHT - CUSTOMER DRAWING	NAME 1FP 54B CABLE ASSEMBLY REV 0.8 SIZE A1 CAGE CODE - DRAWING NO. C=2821728 RESTRICTED TO -	SCALE 1:1 SHEET 3 OF 4 REV 2

REVISIONS				
P	LTN	DESCRIPTION	DATE	APVD
-		SEE SHEET 1	-	-

2821728_C				STOCK DISPOSITION				
DRAWING TITLE				A: CONTINUE AS IS	D: USE OLD FIRST			
REVISION HISTORY				B: REWORK	E: PARTS TO CONFORM			
				C: SCRAP	F: OTHER			
DATE	REV	CHANGES	REASON	APPROVAL	INVENTORY (A,B,C,D,E,F)	WORK IN PROCESS (A,B,C,F)	SUPPLIER ORDERS (A,E,F)	OPEN CUST ORDERS (A,E,F)
12JUL2016	1	INITIAL DRAWING, 2821728-1 DGO.8 WAS 2821479-1 DGO.7, 2821728-2 NEW PART NUMBER, NO PREVIOUS REV 0.7, 2821728-3 DGO.8 WAS 2821452-1 DGO.7, 2821728-4 DGO.8 WAS 2821451-1	PRELIMINARY	TS/CP	-	-	-	-
04AUG2016	2	CORRECTED TYPO	ERROR	TS				

THIS DRAWING IS A CONTROLLED DOCUMENT.		DWN T. SMITH 12JUL2016 CHK C. POGASH 12JUL2016 APVD -	 TE Connectivity
DIMENSIONS: mm 	TOLERANCES UNLESS OTHERWISE SPECIFIED: 0 PLC ± 1 PLC ± 2 PLC ± 3 PLC ± 4 PLC ± ANGLES ± FINISH ±	NAME 1FP 54B CABLE ASSEMBLY REV 0.8 - PRODUCT SPEC - APPLICATION SPEC - WEIGHT - CUSTOMER DRAWING	SIZE A1 CAGE CODE - DRAWING NO C=2821728 RESTRICTED TO - SCALE 1:1 SHEET 4 OF 4 REV 2