



Chipsmall Limited consists of a professional team with an average of over 10 year of expertise in the distribution of electronic components. Based in Hongkong, we have already established firm and mutual-benefit business relationships with customers from,Europe,America and south Asia,supplying obsolete and hard-to-find components to meet their specific needs.

With the principle of "Quality Parts,Customers Priority,Honest Operation,and Considerate Service",our business mainly focus on the distribution of electronic components. Line cards we deal with include Microchip,ALPS,ROHM,Xilinx,Pulse,ON,Everlight and Freescale. Main products comprise IC,Modules,Potentiometer,IC Socket,Relay,Connector.Our parts cover such applications as commercial,industrial, and automotives areas.

We are looking forward to setting up business relationship with you and hope to provide you with the best service and solution. Let us make a better world for our industry!



## Contact us

Tel: +86-755-8981 8866 Fax: +86-755-8427 6832

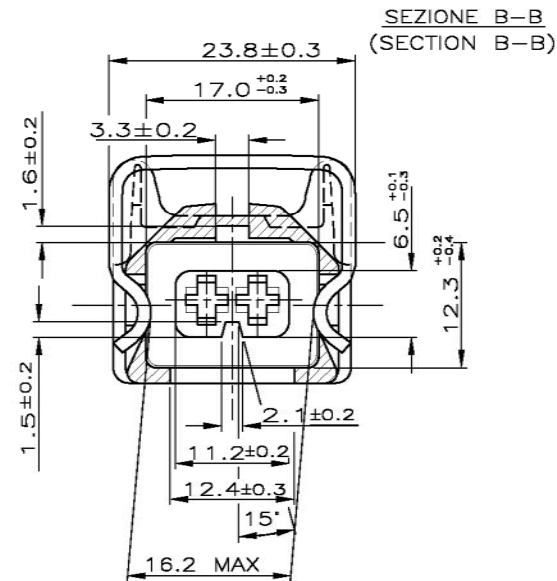
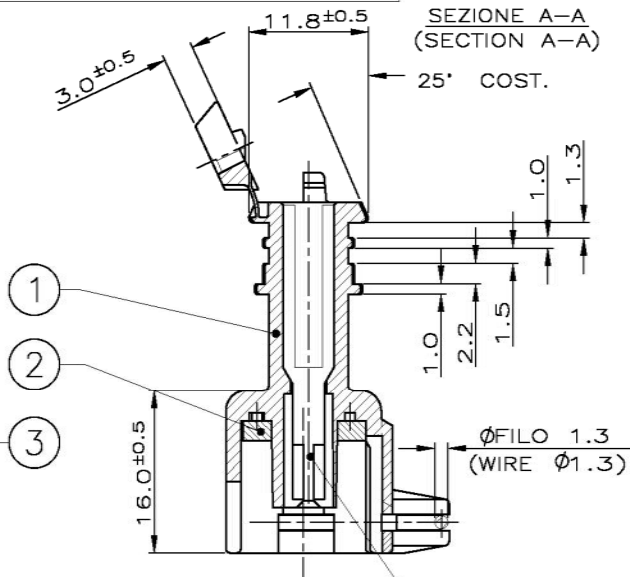
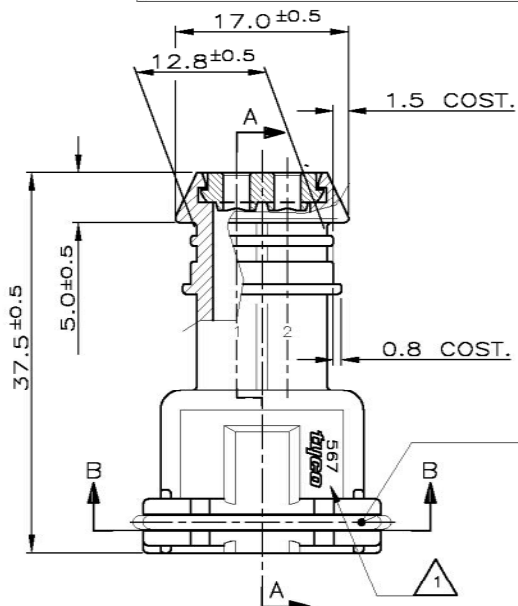
Email & Skype: info@chipsmall.com Web: www.chipsmall.com

Address: A1208, Overseas Decoration Building, #122 Zhenhua RD., Futian, Shenzhen, China

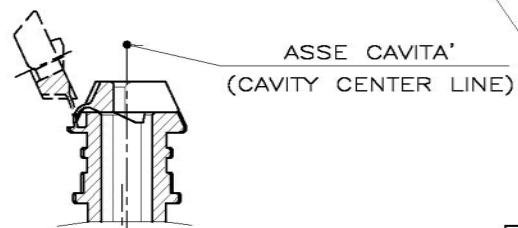
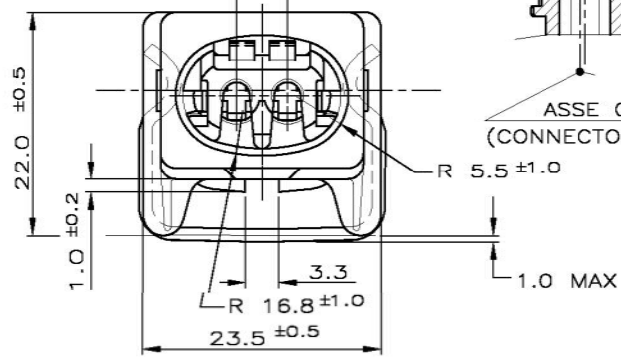


LOC		DIST		REVISIONS					
				P	LTR	DESCRIPTION	DATE	DWN	APVD
				M 1		ECO-15-014129	28-09-2015	M.P.	M.G.

CONNETTORE TIPO A (CON MOLLA DI RITEGNO ESTERNA)  
CONNECTOR TYPE A (WITH EXTERNAL SPRING)



PASSO 5.0±0.15  
(PITCH 5.0±0.15)



TIP. CAVITA' PER TERMINALI AMP JPT P/N 929939-...  
OPPURE 929937-... E RELATIVI GOMMINI  
AMP P/N 828904-1, 828905-1, 282536-1.  
TAPPO CAVITA' P/N 828906-2  
(TYP. CAV. FOR JPT CONT. P/N 929939-... A/O 929937-... AND REL.  
SINGLE WIRE SEAL P/N 828904-1, 828905-1, 282536-1  
CAVITY PLUG P/N 828906-2)

<b>METRIC</b>	DIAM. ISOLANTE (INS. DIA. RANGE)	RANGO FILO (WIRE RANGE)
	1.5-3.0 (REDUCED INS. CABLE)	0.5-2.5 mm <sup>2</sup>

NERO (BLACK)	2-282189-1
ROSSO (RED)	282189-8
GIALLO (YELLOW)	282189-7
MARRONE (BROWN)	282189-6
BLU (BLUE)	282189-5
VERDE (GREEN)	282189-4
BIANCO (WHITE)	282189-3
GRIGIO (GREY)	282189-2
NERO (BLACK)	282189-1

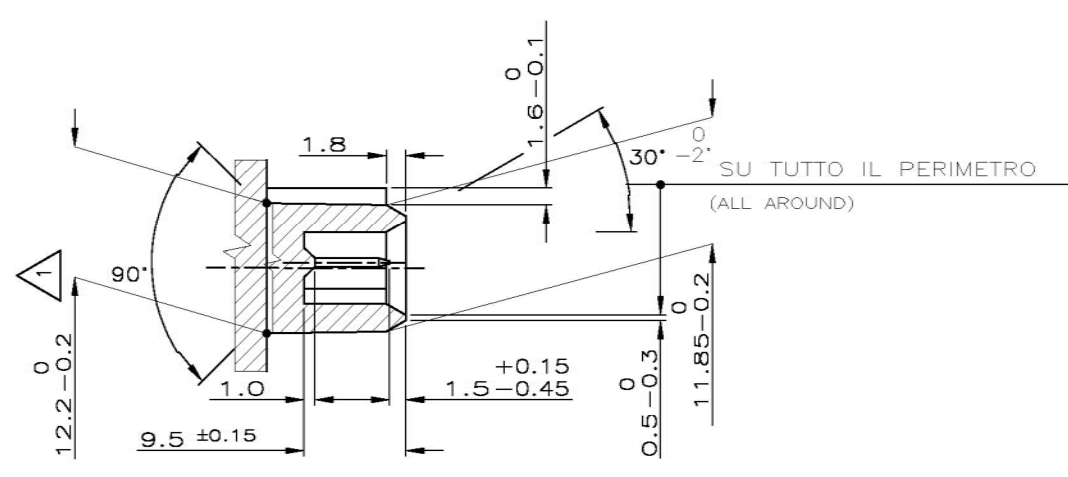
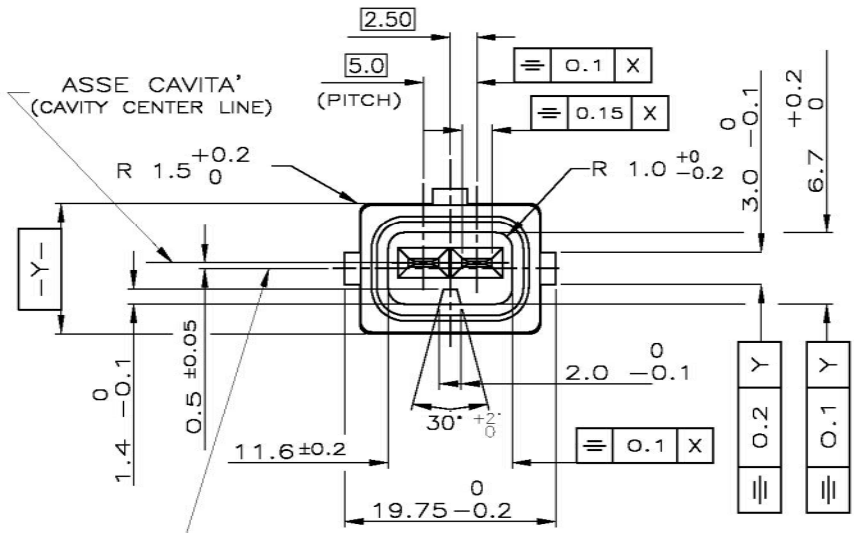
CUSTOMER DWG. FOR REFERENCE ONLY		DISEGNO PER CLIENTE SOLO PER RIFERIMENTO	
3	////	ACCIAIO INOX (STAINLESS STEEL)	MOLLA (SPRING)
2	NATURALE (CLEAR)	GOMMA SILICONICA (SILICONE RUBBER)	GUARNIZIONE (RUBBER GASKET)
1	////	PA 6.6	BLOCCETTO (HOUSING)
N (ITEM)	FINITURA / COLORE (FINISH / COLOUR)	MATERIALE (MATERIAL)	DESCRIZIONE (DESCRIPTION)

- 1 LOGO TYCO O, IN ALTERNATIVA, LOGO AMP (TYCO LOGO OR, IN ALTERNATIVE, AMP LOGO)
- 2 DIFFERISCE DAL ...-1 ESCLUSIVAMENTE PER IL PACKAGING (DIFFERS FROM ...-1 ONLY FOR PACKAGING DETAILS)
- 3) PER DIMENSIONI CONTROPARTE VEDERE FOGLIO 2 (FOR COUNTERPART DIMENSIONS SEE SHEET 2)
- 4) SPECIFICA DI IMBALLO TE Nr. 107-20047 (TE PACKAGING SPECIFICATION No.107-20047)

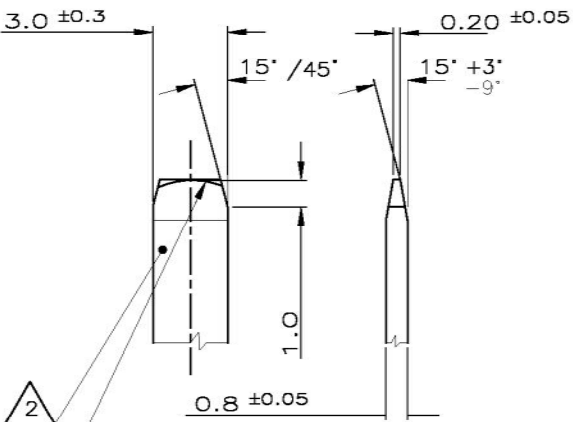
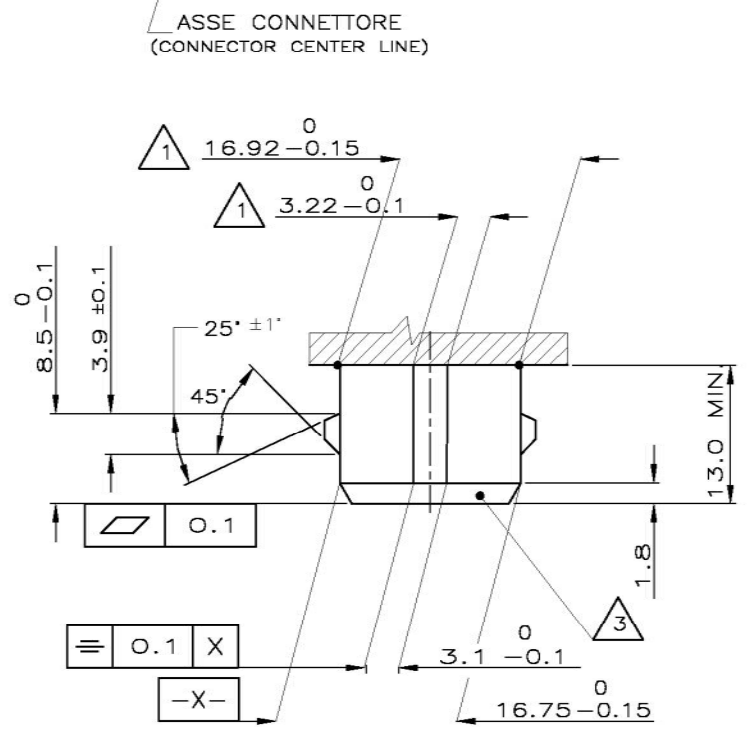
THIS DRAWING IS A CONTROLLED DOCUMENT.

DIMENSIONS: mm	TOLEPERANCES UNLESS OTHERWISE SPECIFIED:	DWN Ennio CINI NOV. 9'90	<b>STE</b> TE Connectivity			
	0 PLC ± -	CHK C.TARTARI 13 OCT 92				
	1 PLC ± 0.3	APVD -				
	2 PLC ± -	PRODUCT SPEC -				
	3 PLC ± -	APPLICATION SPEC -	NAME 2 W.SPLASH PROOF CONN.ASS'Y with SECONDARY LOCK			
	4 PLC ± -	WEIGHT -	SIZE A3	CAGE CODE 00779	DRAWING NO C-282189	RESTRICTED TO -
MATERIAL -	FINISH -	CUSTOMER DRAWING	SCALE -	SHEET 1 of 2	REV M1	

LOC		DIST		REVISIONS			
I	-	P	LTR	DESCRIPTION	DATE	DWN	APVD
-	-	-	-	SEE SHEET 1	-	-	-



DETT. LINGUETTA TAB-SCALA 5:1-  
(TAB DETAIL)



FORMA ALTERNATIVA PERMESSA CON RAGGIO  
(ALLOWED ALTERNATIVE PROFILE WITH RADIUS)

- 1 QUOTE APPLICABILI PER SFORMATURA PEZZO  
(DRAFT PERMITTED TO FACILITATE REMOVAL OF PART FROM THE MOULD)
- 2 MATERIALE LINGUETTE: LEGA DI RAME STAGNATA, ES. OTTONE STAGNATO.  
(TAB CONTACT MATERIAL: TIN PLATED COPPER ALLOY. E.G. BRASS TIN PLATED)
- 3 MATERIALE BLOCCHETTO: TERMOPLASTICO CARICATO FIBRA VETRO.  
(HOUSING MATERIAL: THERMOPLASTIC, GLASS FIBER FILLED)

<b>METRIC</b>	DIAM. ISOLANTE (INS. DIA. RANGE)	RANGO FILO (WIRE RANGE)
	---	---

CUSTOMER DWG. FOR REFERENCE ONLY      DISEGNO PER CLIENTE SOLO PER RIFERIMENTO

THIS DRAWING IS A CONTROLLED DOCUMENT.		DWN	-	NAME		2 POS.SPLASH PROOF CONN.ASS'Y with SECONDARY LOCK	
DIMENSIONS: mm		CHK	-	PRODUCT SPEC		SIZE	A3
TOLENCANCES UNLESS OTHERWISE SPECIFIED:		APVD	-	APPLICATION SPEC		CAGE CODE	00779
0 PLC ± -		WEIGHT	-	DRAWING NO		C-282189	
1 PLC ± 0.3		CUSTOMER DRAWING		RESTRICTED TO		-	
2 PLC ± -		SCALE		SHEET		2 of 2	
3 PLC ± -		REV		M1			
4 PLC ± -							
ANGLES ± 2°							
MATERIAL							
FINISH							

FINITURA / COLORE (FINISH / COLOUR)	MATERIALE (MATERIAL)	NUMERO (PART NUMBER)