



Chipsmall Limited consists of a professional team with an average of over 10 year of expertise in the distribution of electronic components. Based in Hongkong, we have already established firm and mutual-benefit business relationships with customers from,Europe,America and south Asia,supplying obsolete and hard-to-find components to meet their specific needs.

With the principle of “Quality Parts,Customers Priority,Honest Operation,and Considerate Service”,our business mainly focus on the distribution of electronic components. Line cards we deal with include Microchip,ALPS,ROHM,Xilinx,Pulse,ON,Everlight and Freescale. Main products comprise IC,Modules,Potentiometer,IC Socket,Relay,Connector.Our parts cover such applications as commercial,industrial, and automotives areas.

We are looking forward to setting up business relationship with you and hope to provide you with the best service and solution. Let us make a better world for our industry!



## Contact us

Tel: +86-755-8981 8866 Fax: +86-755-8427 6832

Email & Skype: info@chipsmall.com Web: www.chipsmall.com

Address: A1208, Overseas Decoration Building, #122 Zhenhua RD., Futian, Shenzhen, China



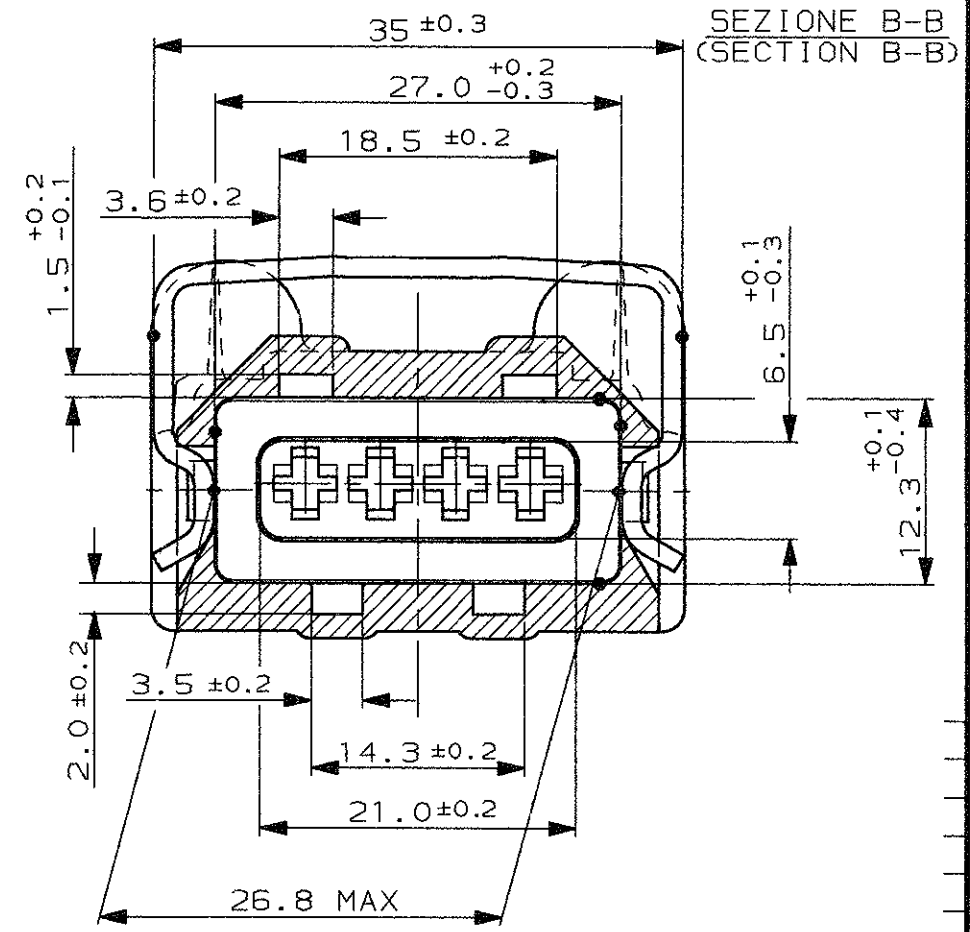
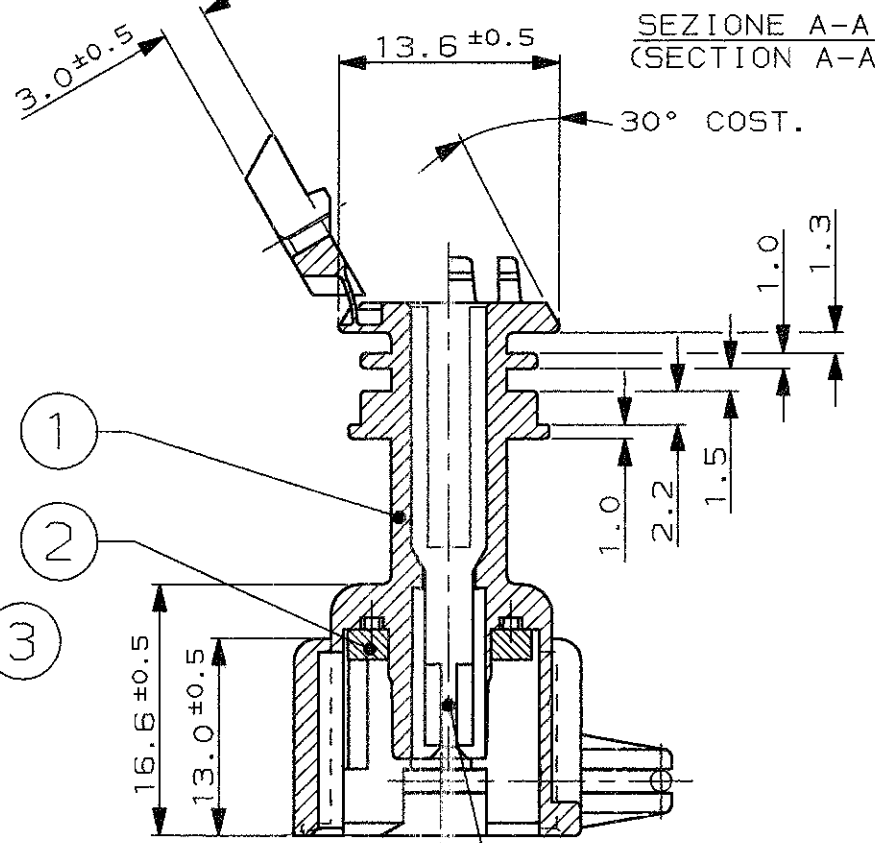
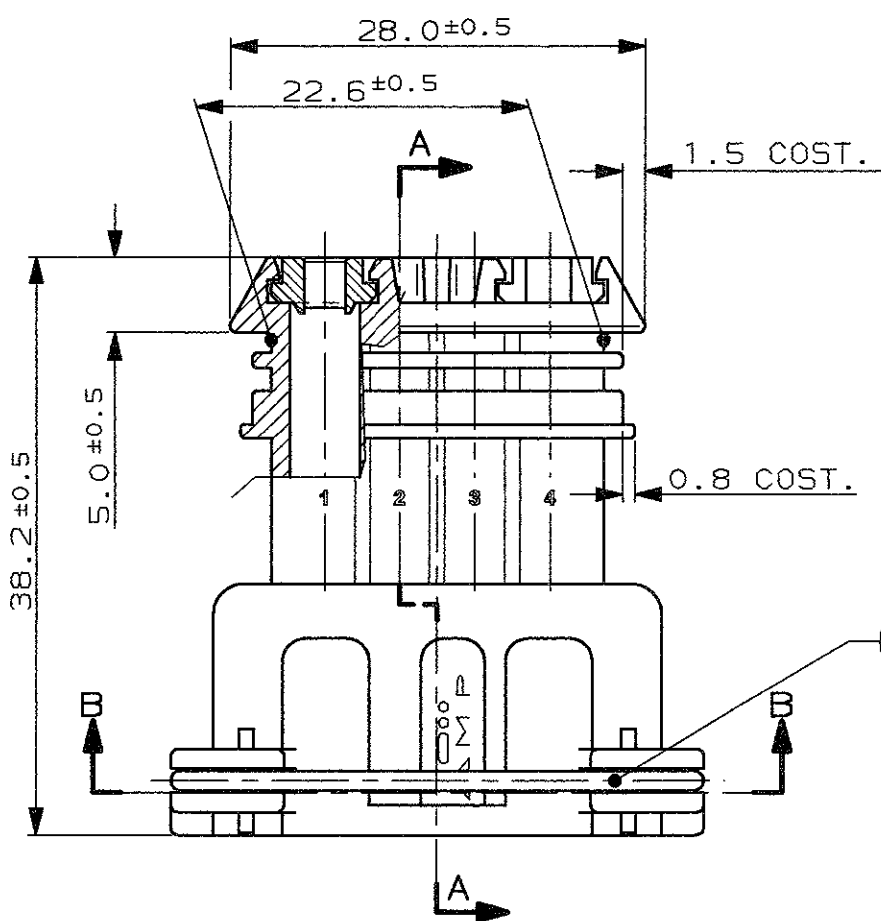
CONNETTORE TIPO A (CON MOLLA DI RITEGNO ESTERNA)  
CONNECTOR TYPE A (WITH EXTERNAL SPRING)

SCALA NON IMPEGNATIVA  
(DO NOT SCALE)  
DIMENSIONI IN mm  
(DIMENSIONS IN)

METRIC

PROIEZIONE EUROPEA  
(EUROPEAN PROJECTION)

A  
B  
C  
D  
E  
F

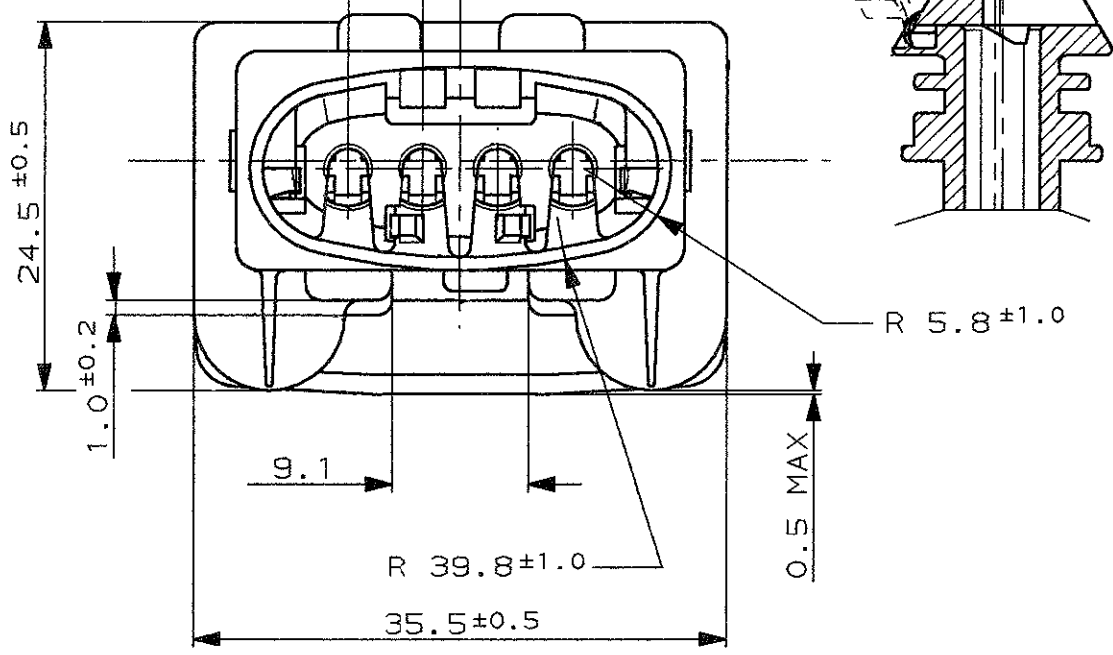


TIP. CAVITA' PER TERMINALI AMP JPT P/N 929939-...  
OPPURE 929937-... E RELATIVI GOMMINI  
P/N 828904-1, 828905-1, 282536-1.  
TAPPO CAVITA' P/N 828906-2  
(TYP. CAV. FOR JPT CONT. P/N 929939-... A/O 929937-... AND REL.  
SINGLE WIRE SEAL P/N 828904-1, 828905-1, 282536-1  
CAVITY PLUG P/N 828906-2)

ASSE CONNETTORE  
(CONNECTOR CENTER LINE)

ASSE CAVITA'  
(CAVITY CENTER LINE)

PASSO 5.0±0.15 TIP.  
(PITCH 5.0±0.15 TYP.)

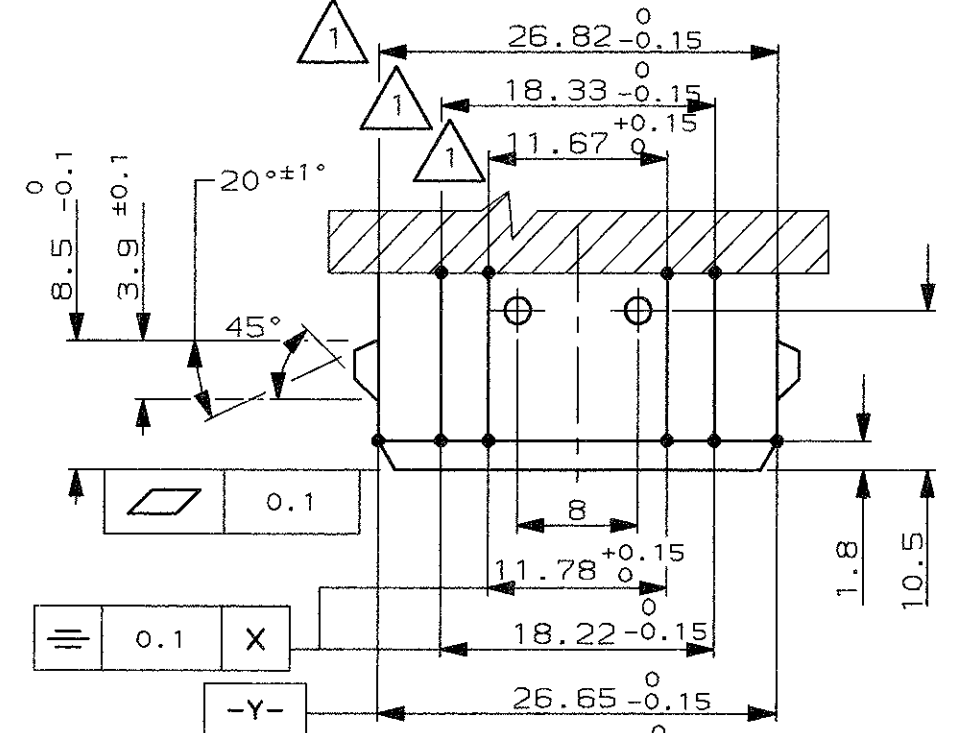
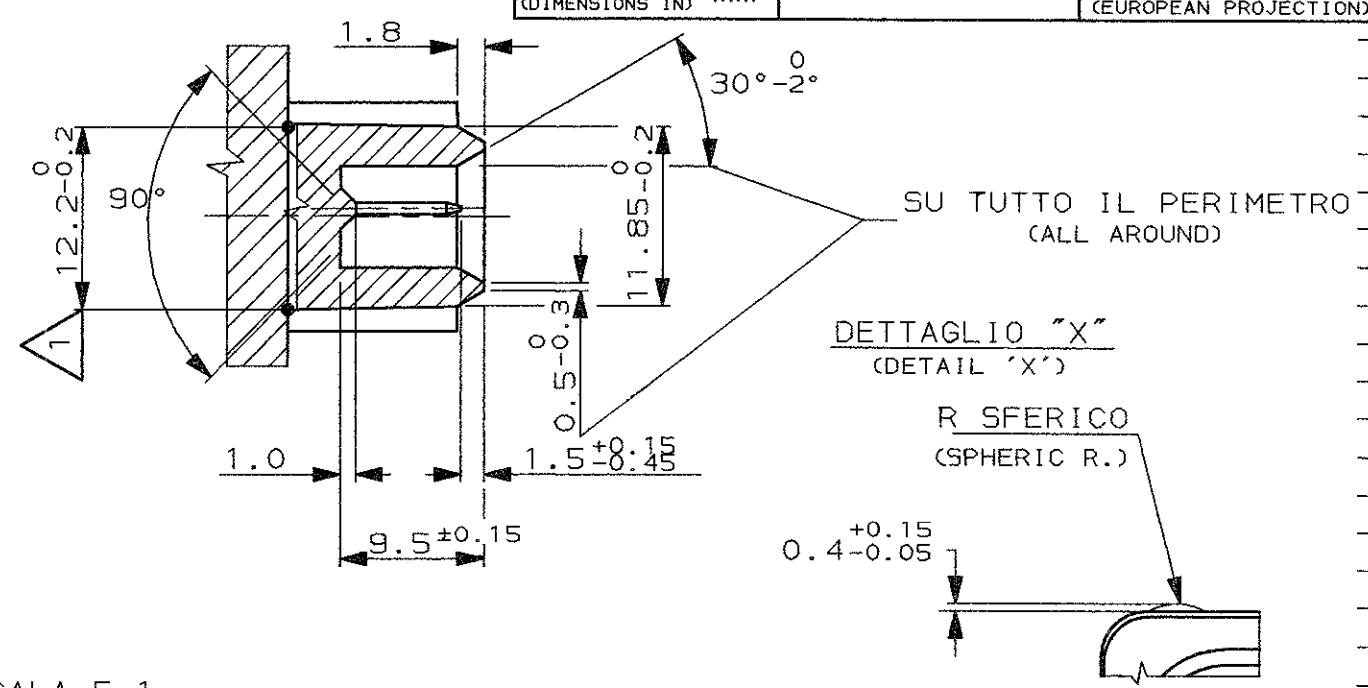
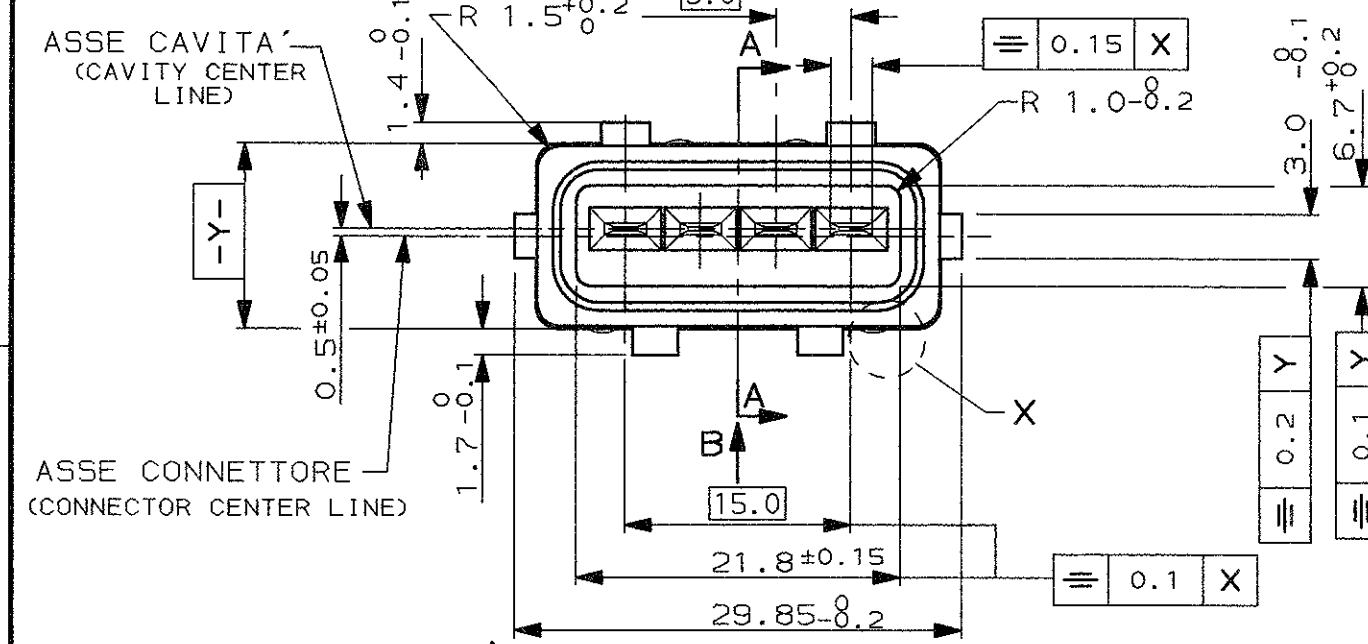


ROSSO (RED)	---				
GIALLO (YELLOW)	---				
MARRONE (BROWN)	282192-3	F	3	//////	ACCIAIO INOX (STAINLESS STEEL)
BLU (BLUE)	---				MOLLA (SPRING)
VERDE (GREEN)	---				
NATURALE (NATUR)	---		2	NATURALE (NATURAL)	GOMMA (RUBBER)
GRIGIO (GREY)	282192-2	F			GUARNIZIONE (RUBBER GASKET)
NERO (BLACK)	282192-1	F	1	//////	PA 6.6 C.VETRO (PA 6.6 G.F.)
COLORE COLOR	NUMERO PART N°	ASSY REV.	N° (ITEM)	FINITURA / COLORE (FINISH / COLOUR)	MATERIALE (MATERIAL)

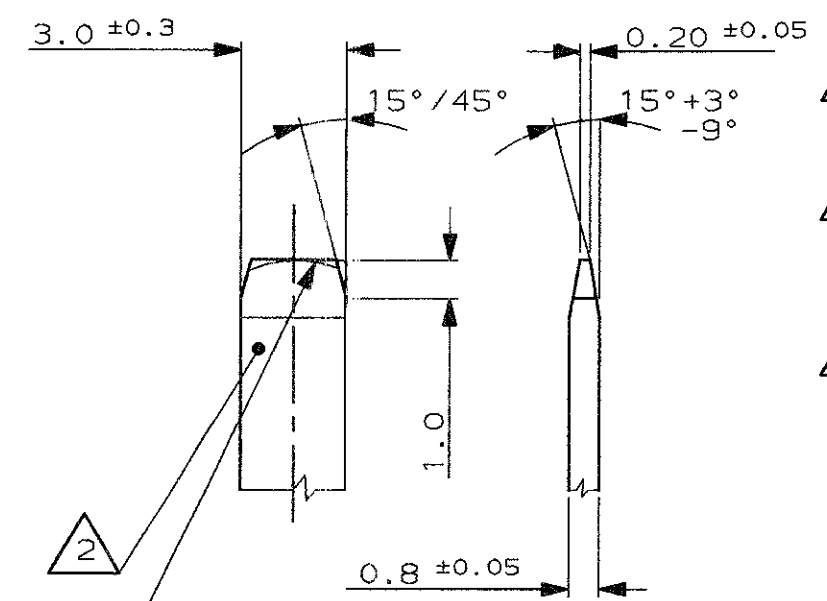
					BLOCCHETTO (HOUSING)
CUSTOMER DWG. FOR REFERENCE ONLY			DISEGNO PER CLIENTE SOLO PER RIFERIMENTO		
THIS DRAWING IS UNPUBLISHED			RELEASE FOR PUBLICATION		
TOLLERANZE, SE NON DIVERSAMENTE SPECIFICATO (TOLERANCES, UNLESS OTHERWISE SPECIFIED)		DIAM. ISOLANTE (INS. DIA. RANGE) 1.5-3.0 (REDUCED INS. CABLE)		RANGO FILO (WIRE RANGE) 0.5-2.5 mm <sup>2</sup>	
± 0.3				SCALA (SCALE) ***	
ANGOLI (ANGLES) ± 2°		TE Connectivity			
DIS. NOV. 9. '90 (COR.) Ennio CINI		DESCRIZIONE (DESCRIPTION) 4 W.SPLASH PROOF CONN. ASS'Y with SECONDARY LOCK			
CONT. 13 OCT 92 (CHK) C.TARTARI		LOC. SIZE NUMERO (DWG NO) I A3 C-282192		REV. FOGLIO (SHEET) M2 1 D1 (COP) 2	

M2	REVISED PER ECO-11-005033	RK	5APR11
REV. (REV. N°)	REVISIONI (REVISION RECORD)	DIS. (DR)	DATA (DATE)

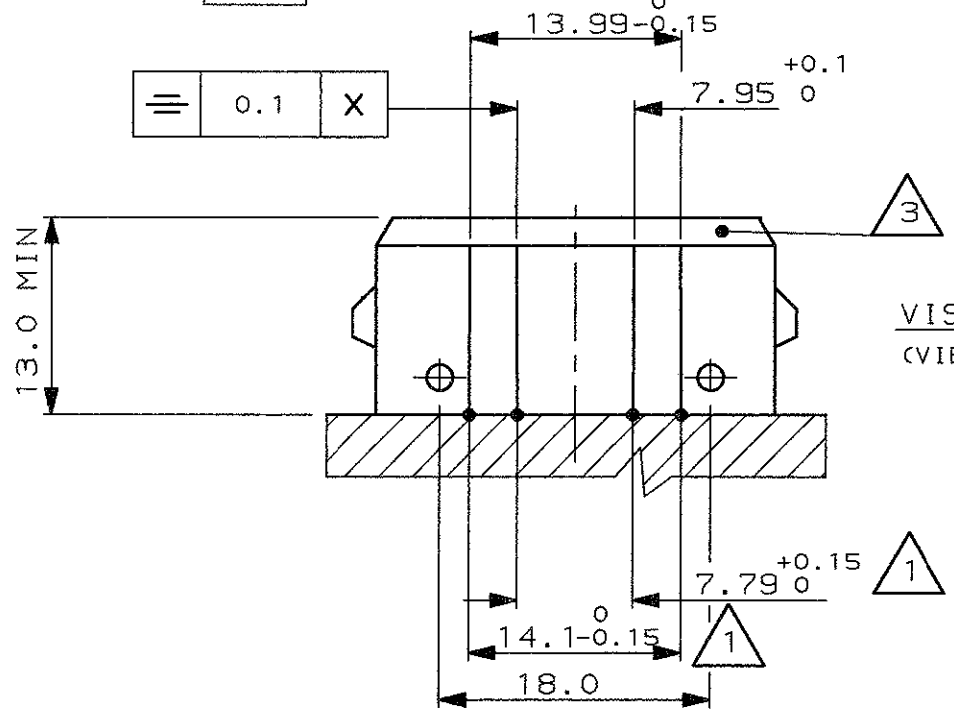
DISTRIBUZIONE  
(PRINT DIST.)



DETT. TAB - SCALA 5:1 (TAB DETAIL)



- 1 QUOTE APPLICABILI PER SFORMATURA PEZZO (DRAFT PERMITTED TO FACILITATE REMOVAL OF PART FROM THE MOULD)
- 2 MATERIALE LINGUETTE: LEGA DI RAME STAGNATA, ES. OTTONE STAGNATO. (TAB CONTACT MATERIAL: TIN PLATED COPPER ALLOY. E.G. BRASS TIN PLATED)
- 3 MATERIALE BLOCCHETTO: TERMOPLASTICO CARICATO FIBRA VETRO. (HOUSING MATERIAL: THERMOPLASTIC, GLASS FIBER FILLED)



FINITURA / COLORE (FINISH / COLOUR)	MATERIALE (MATERIAL)	NUMERO (PART NUMBER)
CUSTOMER DWG. FOR REFERENCE ONLY	DISEGNO PER CLIENTE SOLO PER RIFERIMENTO	
THIS DRAWING IS UNPUBLISHED		RELEASE FOR PUBLICATION
TOLLERANZE: SE NON DIVERSAMENTE SPECIFICATO (TOLERANCES, UNLESS OTHERWISE SPECIFIED)	DIAM. ISOLANTE (INS. DIA. RANGE)	RANGO FILO (WIRE RANGE)
± 0.3	---	---
ANGOLI (ANGLES)	SCALA (SCALE)	
± 2°	---	
DIS. (DR.)	DESCRIZIONE (DESCRIPTION)	
CONT. (CHK)	4 POS. SPLASH PROOF CONN. ASS'Y with SECONDARY LOCK	
APP. (APP.)	LOC. (LOC.)	SIZE (SIZE)
---	I	A3
---	---	NUMERO (DWG NO)
---	---	C-282192
---	---	REV. (REV.)
---	---	M2
---	---	F0GLIO (SHEET)
---	---	2 DI (COP)

SEE SHEET 1 OF 2

REV. (REV.)	REVISIONI (REVISION RECORD)	DIS. DATA (DR. DATE)
---	---	---

DISTRIBUZIONE (PRINT/DIST.)