



Chipsmall Limited consists of a professional team with an average of over 10 year of expertise in the distribution of electronic components. Based in Hongkong, we have already established firm and mutual-benefit business relationships with customers from,Europe,America and south Asia,supplying obsolete and hard-to-find components to meet their specific needs.

With the principle of "Quality Parts,Customers Priority,Honest Operation,and Considerate Service",our business mainly focus on the distribution of electronic components. Line cards we deal with include Microchip,ALPS,ROHM,Xilinx,Pulse,ON,Everlight and Freescale. Main products comprise IC,Modules,Potentiometer,IC Socket,Relay,Connector.Our parts cover such applications as commercial,industrial, and automotives areas.

We are looking forward to setting up business relationship with you and hope to provide you with the best service and solution. Let us make a better world for our industry!



Contact us

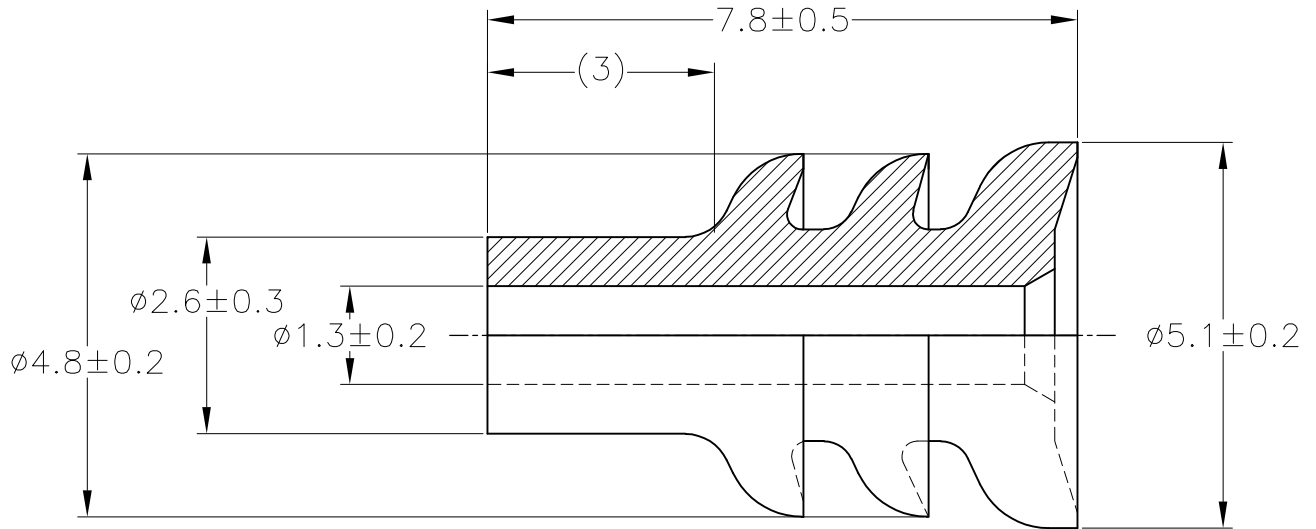
Tel: +86-755-8981 8866 Fax: +86-755-8427 6832

Email & Skype: info@chipsmall.com Web: www.chipsmall.com

Address: A1208, Overseas Decoration Building, #122 Zhenhua RD., Futian, Shenzhen, China



LOC J	DIST —	REVISIONS					
		P	LTR	DESCRIPTION	DATE	DWN	APVD
			A	RELEASED	06AUG14	DM	TK



- ① オイル塗布タイプ
- ② 推奨工程：自動機械
- ③ 推奨工程：手動
- ④ 材料；NBRフタル酸フリー

- ① OIL COATED TYPE
- ② RECOMMENDED PROCESS : AUTOMATIC MACHINE
- ③ RECOMMENDED PROCESS : MANUAL
- ④ MATERIAL ; NBR NON-BIS TYPE

THIS DRAWING IS UNPUBLISHED.

ALL RIGHTS RESERVED.

COPYRIGHT - By Tyco Electronics Japan C.K.

WIRE RANGE 0.2~0.5 (AV, AVS) mm ² (AWG#24-#20)	INSULATION DIA. φ1.4~φ2.4 mm
---	---------------------------------

②	NBR ④	BLACK	2822352-2
③	NBR ①④	BLACK	2822352-1
	MATERIAL	COLOR	PART NUMBER

DIMENSIONS: mm	DWN D.MATSUURA	06AUG2014	MATERIAL SEE TABLE	FINISH —
	CHK S.IWATANI	06AUG2014	TE Connectivity	
TOLERANCES UNLESS OTHERWISE SPECIFIED:	APVD T.KOHNO	06AUG2014		
	0 PLC ± -	PRODUCT SPEC 108-5262	SIZE A4	CAGE CODE 00779
1 PLC ± -	APPLICATION SPEC —	WEIGHT 0.1 g	RESTRICTED TO —	
2 PLC ± -		CUSTOMER DRAWING	SCALE 10:1	SHEET 1 OF 1
3 PLC ± -				REV A
4 PLC ± -				
ANGLES ± -				