



Chipsmall Limited consists of a professional team with an average of over 10 year of expertise in the distribution of electronic components. Based in Hongkong, we have already established firm and mutual-benefit business relationships with customers from,Europe,America and south Asia,supplying obsolete and hard-to-find components to meet their specific needs.

With the principle of “Quality Parts,Customers Priority,Honest Operation,and Considerate Service”,our business mainly focus on the distribution of electronic components. Line cards we deal with include Microchip,ALPS,ROHM,Xilinx,Pulse,ON,Everlight and Freescale. Main products comprise IC,Modules,Potentiometer,IC Socket,Relay,Connector.Our parts cover such applications as commercial,industrial, and automotives areas.

We are looking forward to setting up business relationship with you and hope to provide you with the best service and solution. Let us make a better world for our industry!



Contact us

Tel: +86-755-8981 8866 Fax: +86-755-8427 6832

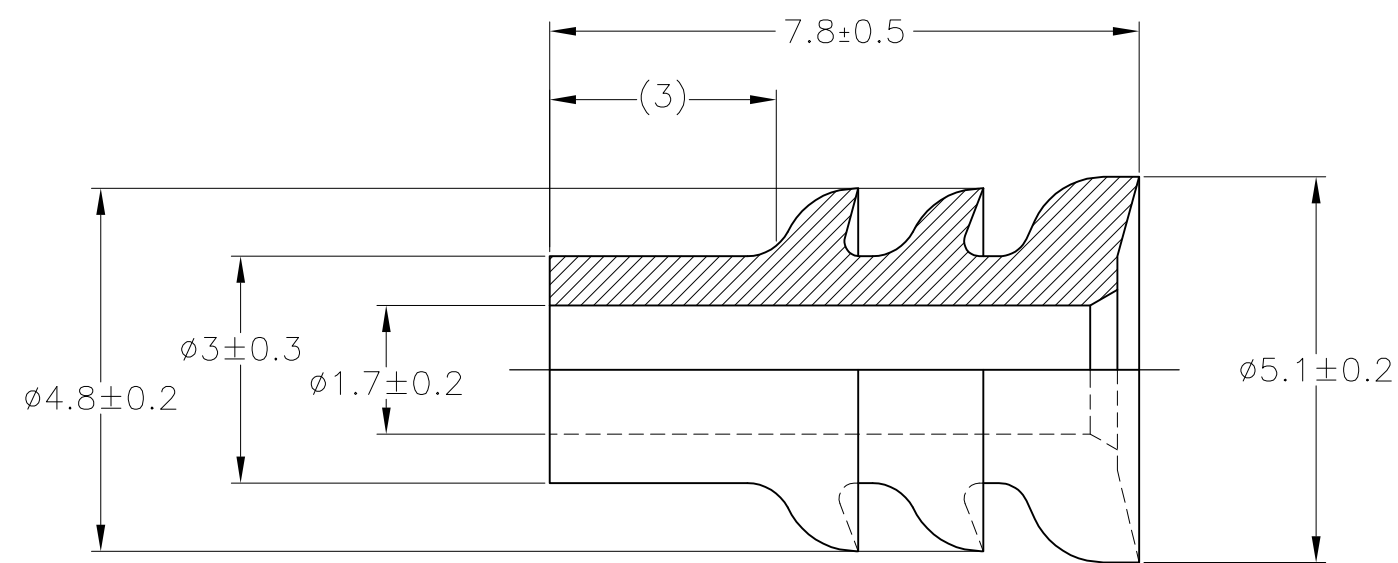
Email & Skype: info@chipsmall.com Web: www.chipsmall.com

Address: A1208, Overseas Decoration Building, #122 Zhenhua RD., Futian, Shenzhen, China


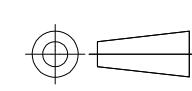


THIS DRAWING IS UNPUBLISHED. RELEASED FOR PUBLICATION JUN,2014 . - .
 © COPYRIGHT 2014 By Tyco Electronics Japan G.K. ALL RIGHTS RESERVED.

LOC	DIST	REVISIONS 変更					
J		P	LTR	DESCRIPTION	DATE	DWN	APVD
			A1	REVISED	ECR-14-018935	18DEC14	DM TK



- ① オイル塗布タイプ
- ② 材料；NBR フタル酸フリー
- ① OIL COATED TYPE
- ② MATERIAL；NBR NON-BIS TYPE

WIRE RANGE 0.5~1.25mm ² (AWG#20-#16)		INSULATION DIA. φ2~φ2.6mm		NBR ②	黒色 (BLACK)	2822354-2																																
				NBR ①②	黒色 (BLACK)	2822354-1																																
				MATERIAL	COLOR	PART NUMBER																																
THIS DRAWING IS A CONTROLLED DOCUMENT.				<table border="1"> <tr> <td>DWN</td> <td colspan="2">D.MATSUURA</td> <td>06AUG2014</td> </tr> <tr> <td>CHK</td> <td colspan="2">S.IWATANI</td> <td>06AUG2014</td> </tr> <tr> <td>APVD</td> <td colspan="2">T.KOHNO</td> <td>06AUG2014</td> </tr> <tr> <td>PRODUCT SPEC</td> <td colspan="2">108-5262</td> <td></td> </tr> <tr> <td>製品規格</td> <td colspan="2">108-5179</td> <td></td> </tr> <tr> <td>APPLICATION SPEC</td> <td colspan="2">取付適用規格</td> <td></td> </tr> <tr> <td>取付適用規格</td> <td colspan="2">-</td> <td></td> </tr> <tr> <td>WEIGHT</td> <td colspan="2">0.1 g</td> <td></td> </tr> </table>			DWN	D.MATSUURA		06AUG2014	CHK	S.IWATANI		06AUG2014	APVD	T.KOHNO		06AUG2014	PRODUCT SPEC	108-5262			製品規格	108-5179			APPLICATION SPEC	取付適用規格			取付適用規格	-			WEIGHT	0.1 g		
DWN	D.MATSUURA		06AUG2014																																			
CHK	S.IWATANI		06AUG2014																																			
APVD	T.KOHNO		06AUG2014																																			
PRODUCT SPEC	108-5262																																					
製品規格	108-5179																																					
APPLICATION SPEC	取付適用規格																																					
取付適用規格	-																																					
WEIGHT	0.1 g																																					
DIMENSIONS: 単位： 耗 mm		TOLERANCES UNLESS OTHERWISE SPECIFIED: 一般公差		 TE Connectivity 070 TYPE RUBBER PLUG																																		
		0 PLC ± - 1 PLC ± - 2 PLC ± - 3 PLC ± - 4 PLC ± - ANGLES ± -																																				
MATERIAL 材料 SEE TABLE		FINISH 仕上 -		SIZE	CAGE CODE	DRAWING NO 番号	RESTRICTED TO																															
				A3	00779	C-2822354	-																															
CUSTOMER DRAWING				SCALE 尺度	10:1	SHEET 1 OF 1	REV A1																															