



Chipsmall Limited consists of a professional team with an average of over 10 year of expertise in the distribution of electronic components. Based in Hongkong, we have already established firm and mutual-benefit business relationships with customers from,Europe,America and south Asia,supplying obsolete and hard-to-find components to meet their specific needs.

With the principle of "Quality Parts,Customers Priority,Honest Operation,and Considerate Service",our business mainly focus on the distribution of electronic components. Line cards we deal with include Microchip,ALPS,ROHM,Xilinx,Pulse,ON,Everlight and Freescale. Main products comprise IC,Modules,Potentiometer,IC Socket,Relay,Connector.Our parts cover such applications as commercial,industrial, and automotives areas.

We are looking forward to setting up business relationship with you and hope to provide you with the best service and solution. Let us make a better world for our industry!



## Contact us

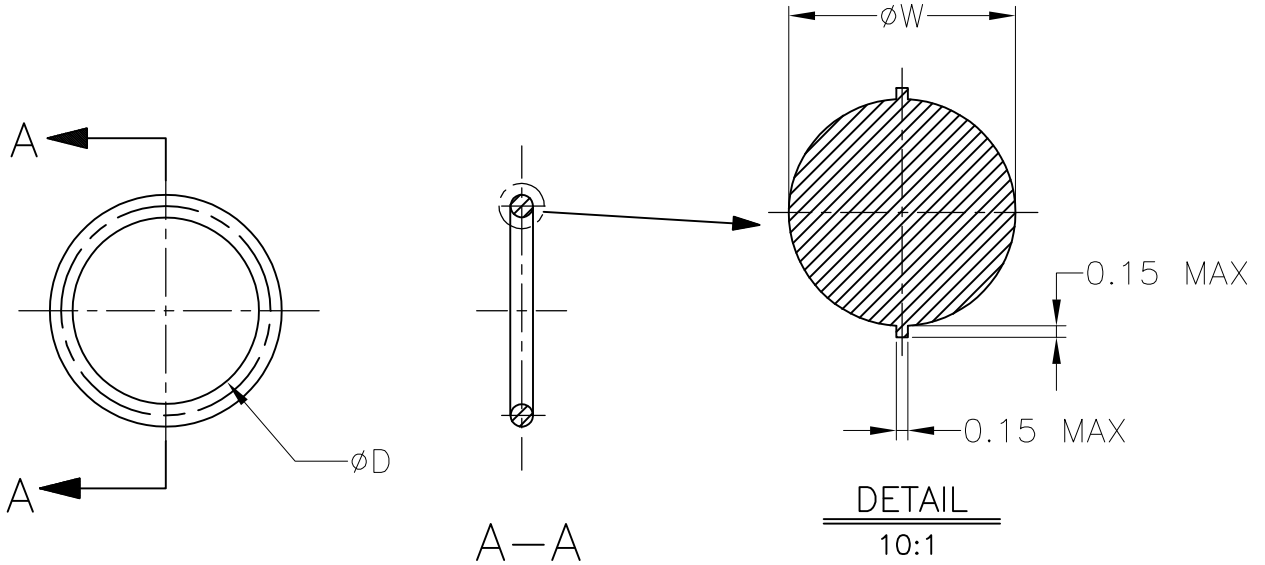
Tel: +86-755-8981 8866 Fax: +86-755-8427 6832

Email & Skype: info@chipsmall.com Web: www.chipsmall.com

Address: A1208, Overseas Decoration Building, #122 Zhenhua RD., Futian, Shenzhen, China



LOC J	DIST —	REVISIONS			
P	LTR	DESCRIPTION	DATE	DWN	APVD
	A	RELEASED	06AUG14	DM	TK



- 1. 本品はキャップハウジングに使用される。
- 2. 適用製品規格 108-5136
- △ 材料;NBR フタル酸フリー

- 1. TO BE USED CAP HOUSING.
- 2. PRODUCT SPEC. 108-5136
- △ MATERIAL; NBR NON-BIS TYPE

0.8g	BLACK	NBR △	172281	12	24.7±0.2	3.0±0.1	2822397-5
0.2g	BLACK	NBR △	172196	1	10.4±0.2	2.0±0.1	2822397-4
0.3g	BLACK	NBR △	172199,172202	2, 3	14.8±0.2	2.4±0.1	2822397-3
0.3g	BLACK	NBR △	172205	4	15.8±0.2	2.4±0.1	2822397-2
0.5g	BLACK	NBR △	172192	8	19.5±0.2	2.6±0.1	2822397-1
WEIGHT	COLOR	MATERIAL	CAP HSG. P/N	Pos.	D	W	PART No.

THIS DRAWING IS UNPUBLISHED.

ALL RIGHTS RESERVED.

COPYRIGHT 2014 By Tyco Electronics Japan C.K.

DIMENSIONS: mm	DWN D.MATSUURA	06AUG2014	MATERIAL SEE TABLE	FINISH SEE TABLE
	CHK S.IWATANI	06AUG2014	TE Connectivity	
TOLERANCES UNLESS OTHERWISE SPECIFIED:	APVD T.KOHNO	06AUG2014		
	PRODUCT SPEC —	APPLICATION SPEC —	SIZE A4	CAGE CODE 00779
0 PLC ± -	WEIGHT SEE TABLE	RESTRICTED TO —		SCALE 1:1
1 PLC ± -	CUSTOMER DRAWING		SHEET 1 OF 1	REV A
2 PLC ± -				
3 PLC ± -				
4 PLC ± -				
ANGLES ± -				