



Chipsmall Limited consists of a professional team with an average of over 10 year of expertise in the distribution of electronic components. Based in Hongkong, we have already established firm and mutual-benefit business relationships with customers from,Europe,America and south Asia,supplying obsolete and hard-to-find components to meet their specific needs.

With the principle of “Quality Parts,Customers Priority,Honest Operation,and Considerate Service”,our business mainly focus on the distribution of electronic components. Line cards we deal with include Microchip,ALPS,ROHM,Xilinx,Pulse,ON,Everlight and Freescale. Main products comprise IC,Modules,Potentiometer,IC Socket,Relay,Connector.Our parts cover such applications as commercial,industrial, and automotives areas.

We are looking forward to setting up business relationship with you and hope to provide you with the best service and solution. Let us make a better world for our industry!



Contact us

Tel: +86-755-8981 8866 Fax: +86-755-8427 6832

Email & Skype: info@chipsmall.com Web: www.chipsmall.com

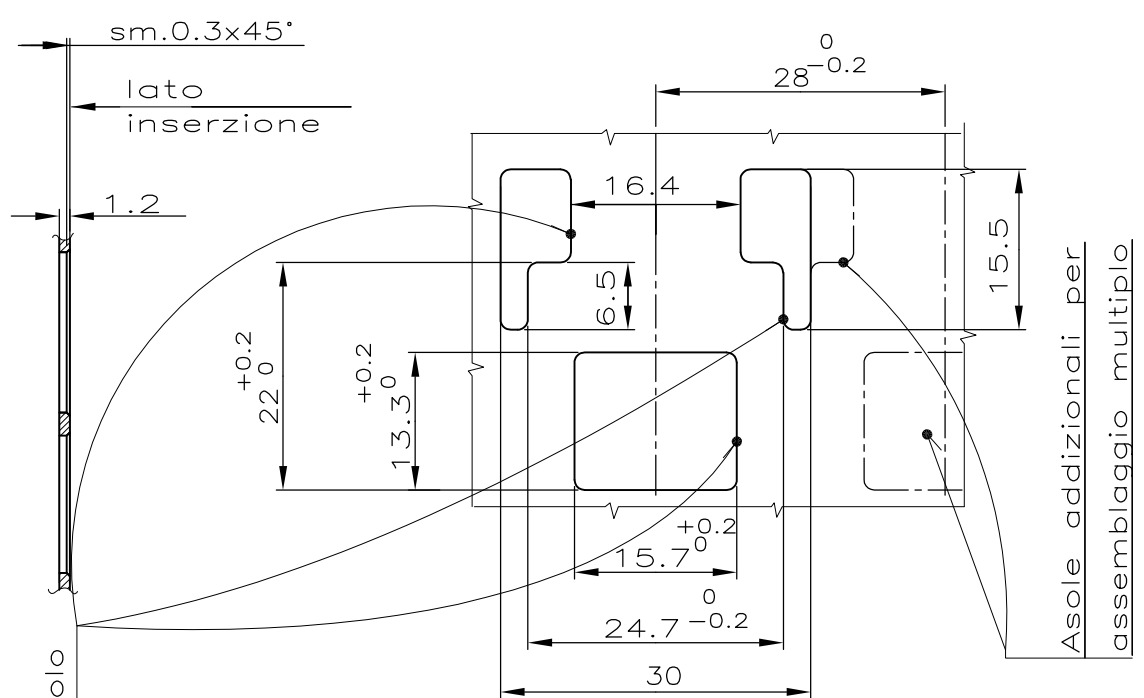
Address: A1208, Overseas Decoration Building, #122 Zhenhua RD., Futian, Shenzhen, China



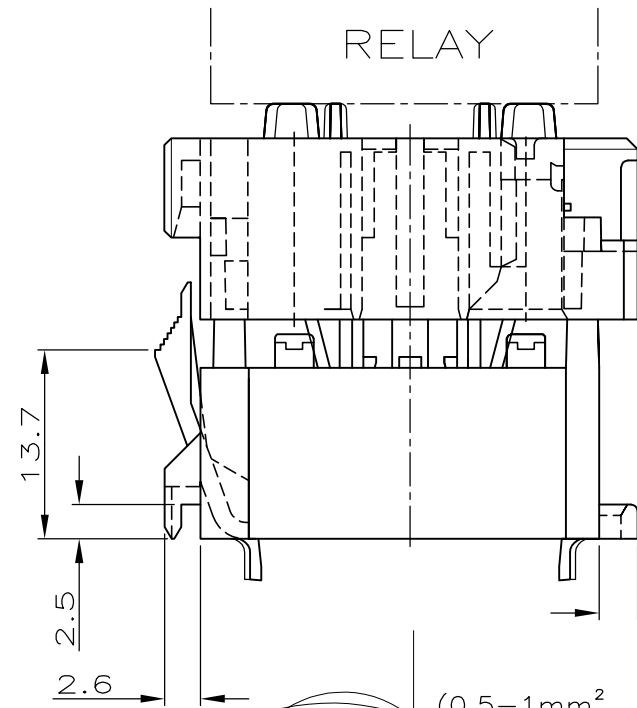
THIS DRAWING IS UNPUBLISHED. RELEASED FOR PUBLICATION
 © COPYRIGHT - By - ALL RIGHTS RESERVED.

METRIC

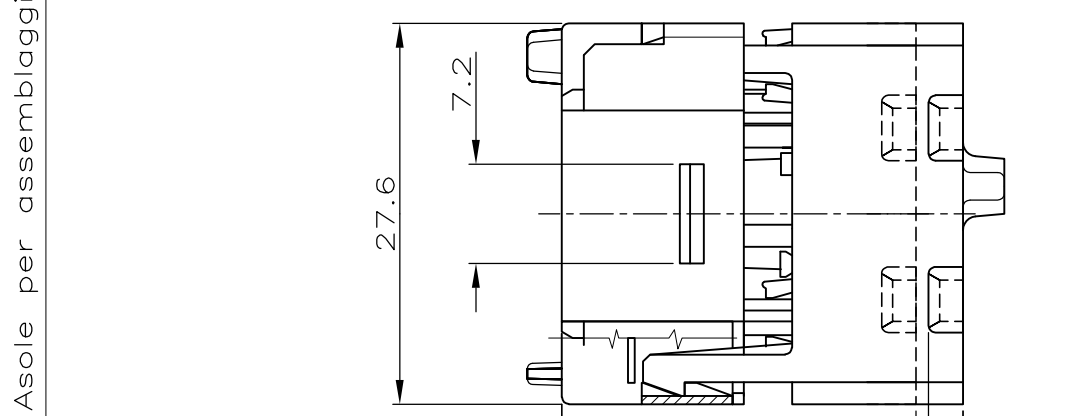
REVISONS		DATE	DWN	APVD
P	LTR			
C2		30MAR11	RK	HMR
REVISOR		DESCRIPTION		
REVISED PER ECO-11-005033		1-282435-1		
		1-282435-0		
		282435-9		
		282435-8		
		282435-7		
		282435-6		
		282435-5		
		282435-4		
		282435-3		
		282435-2		
		282435-1		
FINITURA / COLORE (FINISH / COLOUR)		MATERIALE (MATERIAL)		NUMERO (PART NUMBER)
		POLYAMIDE 6.6		



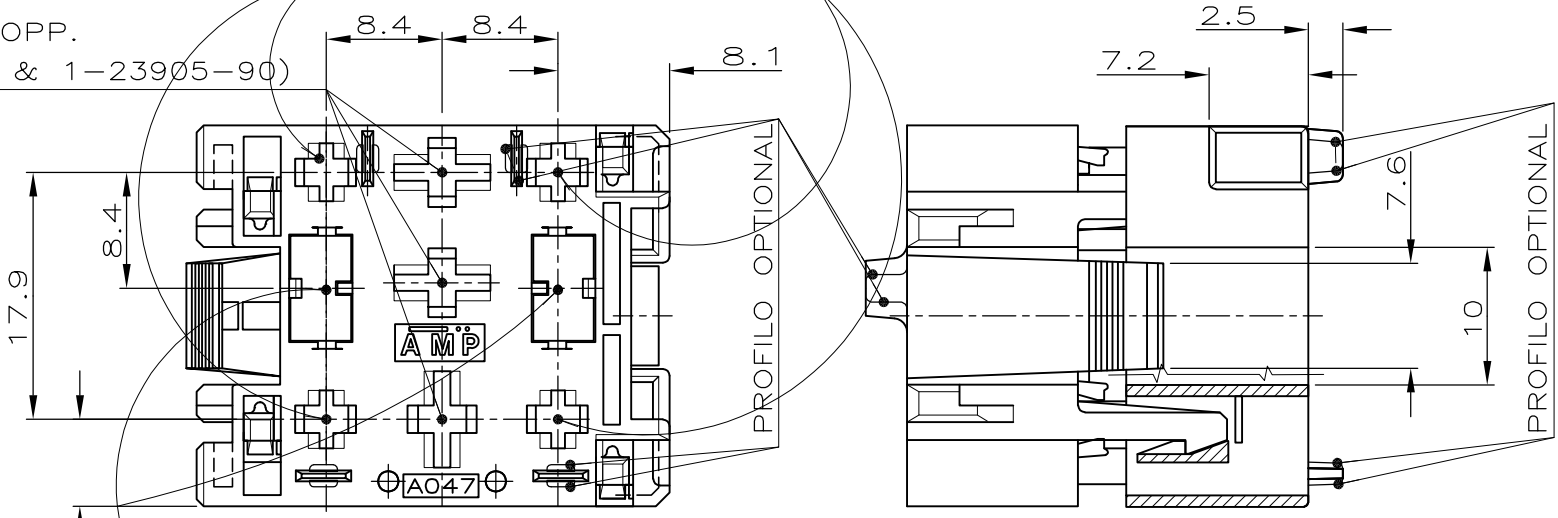
N.3 CAVITA' ADATTE PER TERMINALI
 "AMP STANDARD POWER TIMER" P/N 927831-2 (0.5-1mm²) OPP.
 P/N 927837-2 (1-2.5mm²) (EQUIVAL. N.FIAT 1-23903-90 & 1-23905-90)



N.4 CAVITA' ADATTE PER TERMINALI
 "AMP JUNIOR POWER TIMER" P/N: 927771-3
 (0.5-1mm² CAVO ISOL.RIDOTTO) (EQUIVAL. N.FIAT 1-23085-90)

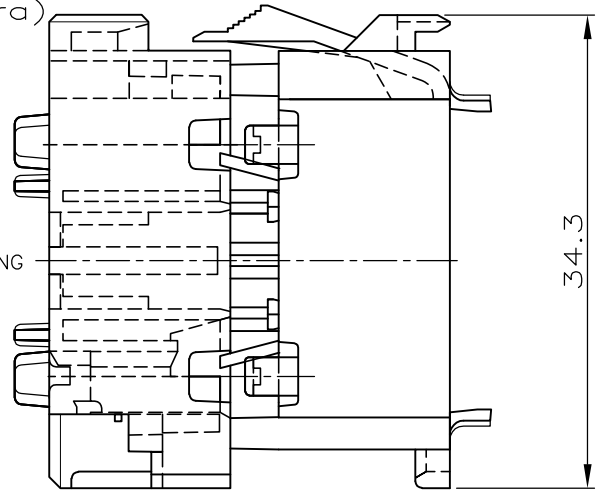


Blocchetto assemblato 25.6
 Blocchetto pre-assemblato 29
 (Stato di fornitura)



N.2 CAVITA' ADATTE PER TERMINALI
 "AMP POSITIVE LOCK MKI" P/N 160759-3(0.5-1.5 mm²)
 OPP. P/N 154717-3 (2.5-4.0mm²) EQUIVALENTE N.FIAT
 1-23364-44 & 1-23363-44; E TERMINALI AMP P/N 282167
 PER ISOL. RIDOTTO (0.5-1.5mm²)

1 OBSOLETE PARTS: OBSOLETE CIS STREAMLINING PER D.RENAUD/D.SINISI



CUSTOMER DWG. FOR REFERENCE ONLY		DISEGNO PER CLIENTE SOLO PER RIFERIMENTO		FINITURA / COLORE (FINISH / COLOUR)	MATERIALE (MATERIAL)	NUMERO (PART NUMBER)
THIS DRAWING IS A CONTROLLED DOCUMENT.		DWN	10 JULY 1992	TE Connectivity		
		CHK	16 OCT.1992			
		APVD	-	9 POSITION RELAY HSG.WITH SEC.LOCK		
		PRODUCT SPEC	-			
		APPLICATION SPEC	-			
		WEIGHT	-	SIZE	CAGE CODE	DRAWING NO
				A3	00779	C=282435
		CUSTOMER DRAWING		SCALE	SHEET	REV
				2:1	1 of 1	C2