



Chipsmall Limited consists of a professional team with an average of over 10 year of expertise in the distribution of electronic components. Based in Hongkong, we have already established firm and mutual-benefit business relationships with customers from,Europe,America and south Asia,supplying obsolete and hard-to-find components to meet their specific needs.

With the principle of “Quality Parts,Customers Priority,Honest Operation,and Considerate Service”,our business mainly focus on the distribution of electronic components. Line cards we deal with include Microchip,ALPS,ROHM,Xilinx,Pulse,ON,Everlight and Freescale. Main products comprise IC,Modules,Potentiometer,IC Socket,Relay,Connector.Our parts cover such applications as commercial,industrial, and automotives areas.

We are looking forward to setting up business relationship with you and hope to provide you with the best service and solution. Let us make a better world for our industry!



## Contact us

Tel: +86-755-8981 8866 Fax: +86-755-8427 6832

Email & Skype: info@chipsmall.com Web: www.chipsmall.com

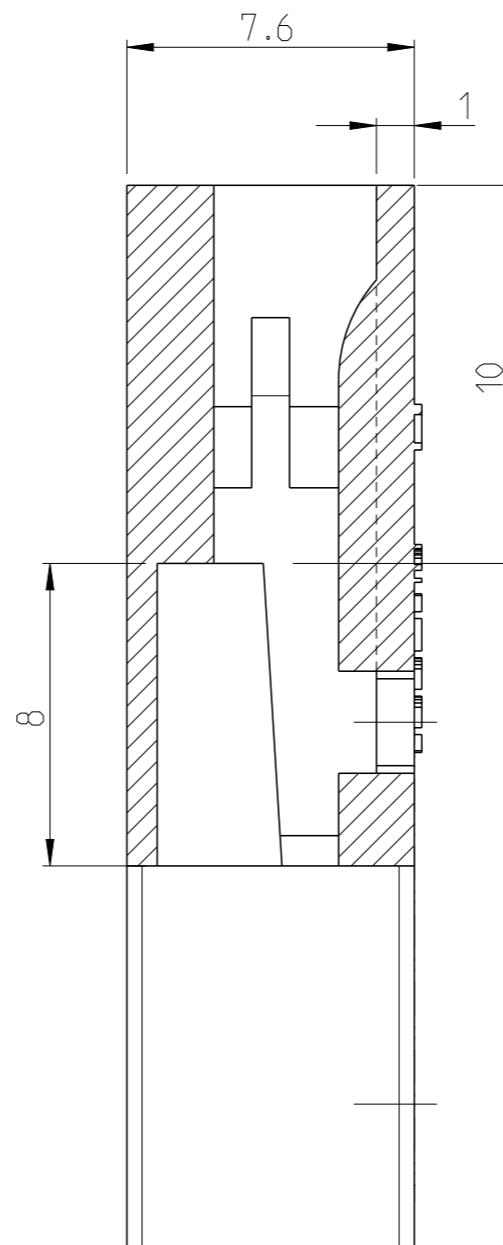
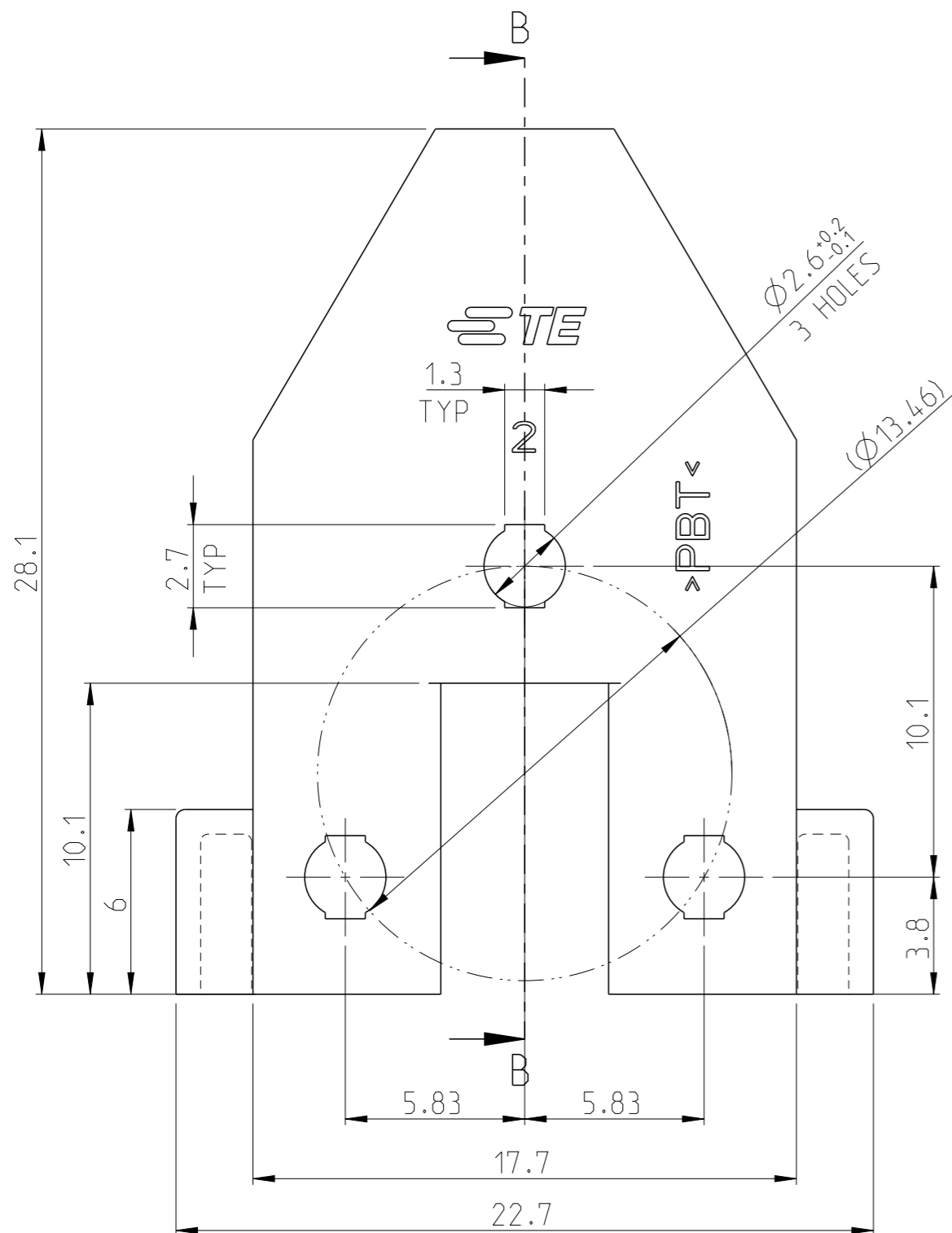
Address: A1208, Overseas Decoration Building, #122 Zhenhua RD., Futian, Shenzhen, China



THIS DRAWING IS UNPUBLISHED. RELEASED FOR PUBLICATION 20  
 © COPYRIGHT 20 BY - ALL RIGHTS RESERVED.

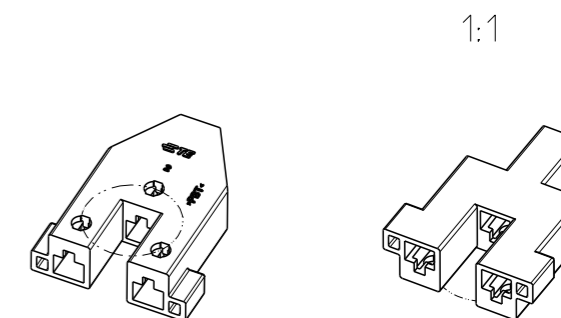
REVISIONS

P	LTR	DESCRIPTION	DATE	DWN	APVD
	A	RELEASED AS PER ECR-15-013198	16SEP2015	MKD	RRP



NOTE:

1. ALL THREE CAVITIES ARE IDENTICAL
2. 3 TYPICAL CAVITIES SUITABLE FOR CONTACT 2825083-1



SECTION B-B

BLACK	PBT GF (UL94 V0 & GWT 750)	2825082-2	A
NATURAL	PBT GF	2825082-1	A
FINISH	MATERIAL	PART NO	REV

THIS DRAWING IS A CONTROLLED DOCUMENT.

DIMENSIONS: mm	TOLERANCES UNLESS OTHERWISE SPECIFIED:
	0 PLC ±0.3
	1 PLC ±0.3
	2 PLC ±0.2
	3 PLC ±
	4 PLC ±
	ANGLES ±3°
MATERIAL SEE TABLE	FINISH

DWN	14OCT2014
CHK	DHANESH
CHK	DHANESH
APVD	14OCT2014
APVD	RAJENDRA
PRODUCT SPEC	108-5205
APPLICATION SPEC	-
WEIGHT	-

TE Connectivity		NAME	
		CLUSTER BLOCK HOUSING .090	
SIZE	CAGE CODE	DRAWING NO	RESTRICTED TO
A3	-	©-2825082	-
Customer Drawing		SCALE	SHEET
		5:1	1 OF 1
		REV	A