



Chipsmall Limited consists of a professional team with an average of over 10 year of expertise in the distribution of electronic components. Based in Hongkong, we have already established firm and mutual-benefit business relationships with customers from,Europe,America and south Asia,supplying obsolete and hard-to-find components to meet their specific needs.

With the principle of "Quality Parts,Customers Priority,Honest Operation,and Considerate Service",our business mainly focus on the distribution of electronic components. Line cards we deal with include Microchip,ALPS,ROHM,Xilinx,Pulse,ON,Everlight and Freescale. Main products comprise IC,Modules,Potentiometer,IC Socket,Relay,Connector.Our parts cover such applications as commercial,industrial, and automotives areas.

We are looking forward to setting up business relationship with you and hope to provide you with the best service and solution. Let us make a better world for our industry!



## Contact us

Tel: +86-755-8981 8866 Fax: +86-755-8427 6832

Email & Skype: info@chipsmall.com Web: www.chipsmall.com

Address: A1208, Overseas Decoration Building, #122 Zhenhua RD., Futian, Shenzhen, China

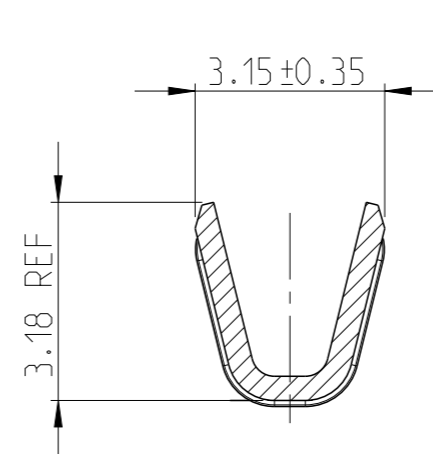
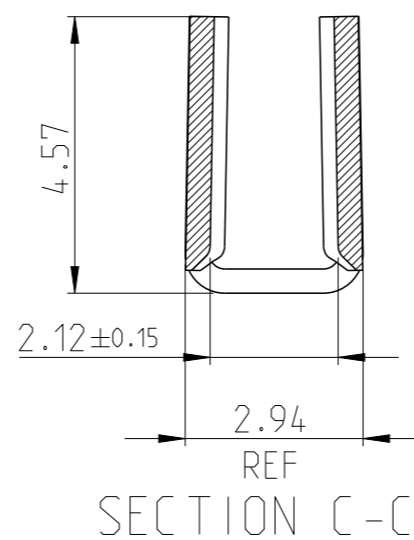
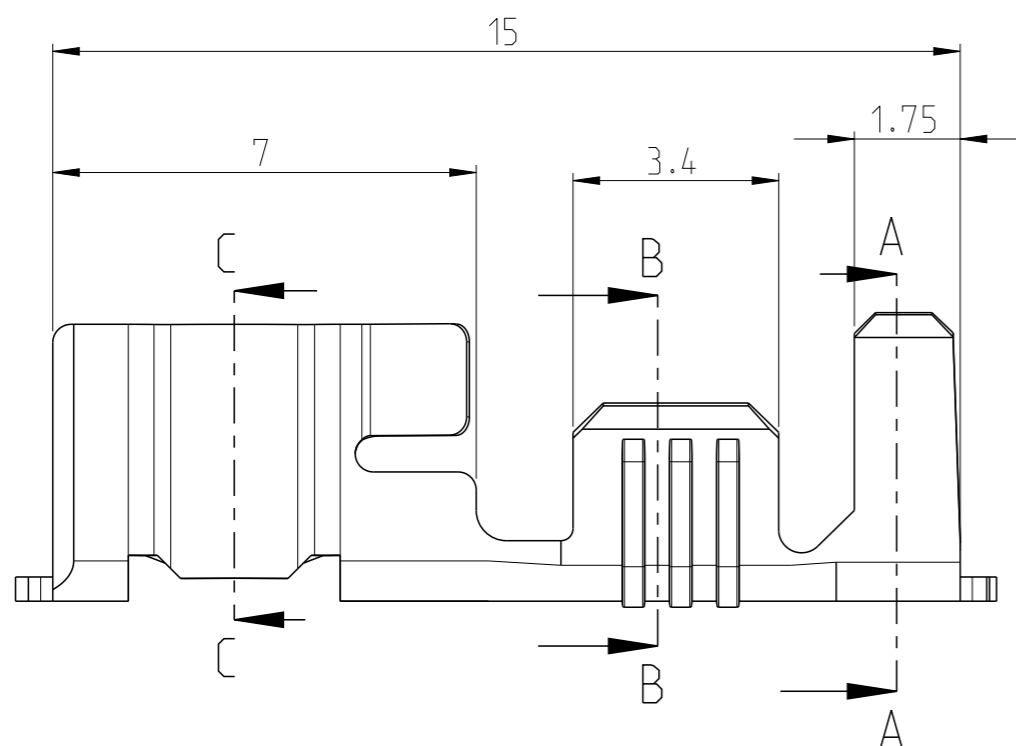
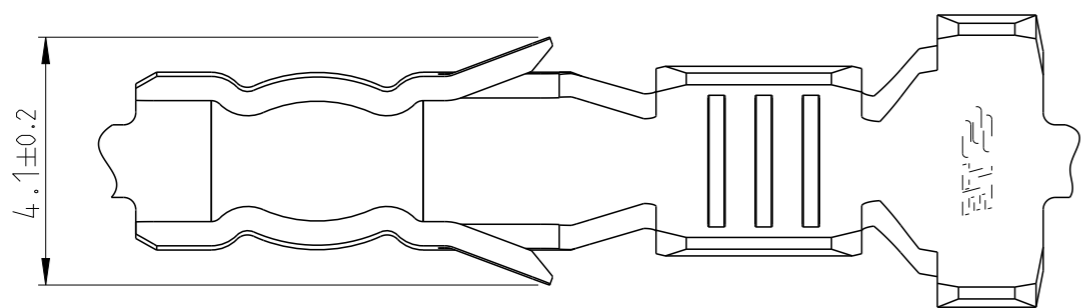


REVISIONS

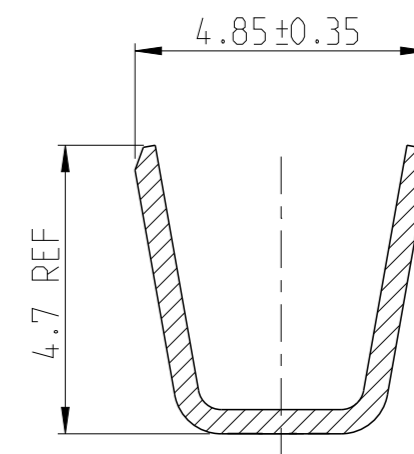
P	LTR	DESCRIPTION	DATE	DWN	APVD
	A	RELEASED AS PER ECR-15-013198	16SEP2015	MKD	RRP

NOTE:

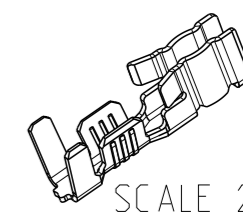
1. WIRE RANGE 20AWG to 16 AWG
2. INSULATION DIA 2.0 MM to 3.4 MM
3. SUITABLE CLUSTER BLOCK HOUSING 2825082-X




SECTION B-B



SECTION A-A



TIN PLATED FINISH	PHOSPHOR BRONZE MATERIAL	2825083-1 PART NO
-------------------	--------------------------	-------------------

THIS DRAWING IS A CONTROLLED DOCUMENT.		DWN 14OCT2014 Dhanesh	 TE Connectivity		
DIMENSIONS: mm		CHK 14OCT2014 Dhanesh			
TOLERANCES UNLESS OTHERWISE SPECIFIED:		APVD 14OCT2014 RAJENDRA	PRODUCT SPEC 108-5205		
0 PLC ±-		APPLICATION SPEC 114-5235			
1 PLC ±0.3		WEIGHT -			
2 PLC ±0.3		SIZE A3		CAGE CODE -	DRAWING NO C-2825083
3 PLC ±-		SCALE 8:1		SHEET 1 OF 1	RESTRICTED TO -
4 PLC ±-		Customer Drawing			
ANGLES ±-		REV A			
FINISH -					