



Chipsmall Limited consists of a professional team with an average of over 10 year of expertise in the distribution of electronic components. Based in Hongkong, we have already established firm and mutual-benefit business relationships with customers from,Europe,America and south Asia,supplying obsolete and hard-to-find components to meet their specific needs.

With the principle of “Quality Parts,Customers Priority,Honest Operation,and Considerate Service”,our business mainly focus on the distribution of electronic components. Line cards we deal with include Microchip,ALPS,ROHM,Xilinx,Pulse,ON,Everlight and Freescale. Main products comprise IC,Modules,Potentiometer,IC Socket,Relay,Connector.Our parts cover such applications as commercial,industrial, and automotives areas.

We are looking forward to setting up business relationship with you and hope to provide you with the best service and solution. Let us make a better world for our industry!



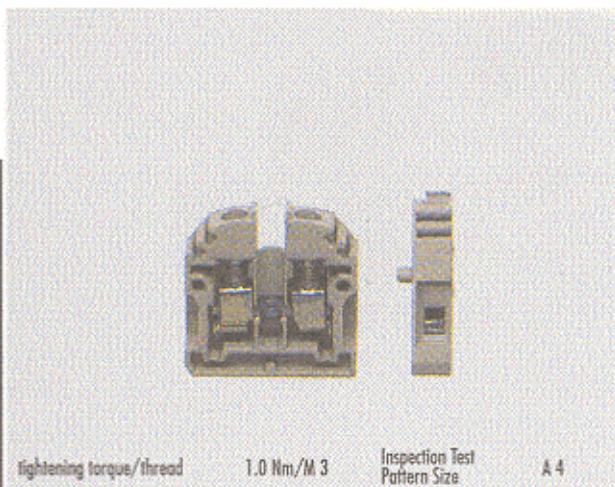
Contact us

Tel: +86-755-8981 8866 Fax: +86-755-8427 6832

Email & Skype: info@chipsmall.com Web: www.chipsmall.com

Address: A1208, Overseas Decoration Building, #122 Zhenhua RD., Futian, Shenzhen, China





tightening torque/thread	1.0 Nm/M 3	Inspection Test Pattern Size	A 4
Type	Cat.-No.	Qty.p.pck.	
SRM 4	41018.2	beige	100

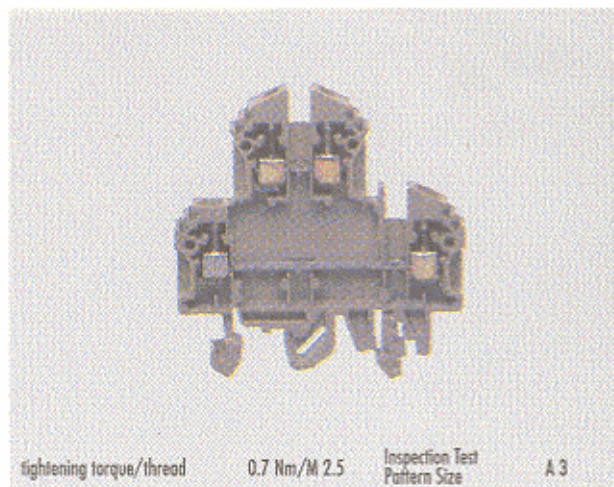
Ratings:

	UL	CSA	DIN-VDE	IEC
Rated Voltage	300 V	300 V	500 V	500 V
Rated Current	30 A AWG 12	34 A	34 A	32 A

Max Rated Cross Section

Single Wire (solid)	0.2-4 mm ²
Stranded Wire (flexible)	0.2-4 mm ²
Wire Size	AWG 22-12

Dimensions LxBxH (mm)	Direct mounting
Stripped Length	27x6x28
	9 mm



tightening torque/thread	0.7 Nm/M 2.5	Inspection Test Pattern Size	A 3
Type	Cat.-No.	Qty.p.pck.	
SRD 2.5	41206.2	beige	100
SRD 2.5	41206.5	blue	100

Ratings:

	UL	CSA	DIN-VDE	IEC
Rated Voltage	300 V	300 V	500 V	500 V
Rated Current	20 A AWG 14	20 A	26 A	24 A

Max Rated Cross Section

Single Wire (solid)	0.2-4 mm ²
Stranded Wire (flexible)	0.2-2.5 mm ²
Wire Size	AWG 22-14

Dimensions LxBxH (mm)	TS 32	TS 35
Stripped Length	59x5x65	59x5x60
	7 mm	

Type:	Cat.-No.	Qty.p.pck.	Terminal accessories	Type:	Cat.-No.	Qty.p.pck.
AP 1.5-4	2738.2 beige	50	End plate	AP 4	2101.2 beige	20
TW 1.5-4	2071.2 beige 2071.5 blue	50	Isolation partition		2101.5 blue	
TRS 3	2566.2 beige	100	Separator	TRS 3	2566.2 beige	100
EH 1	2135.2 beige	50	End bracket	ES 32/35 Combi	1424.2 beige	50
			End bracket	ES 32/K/ST	2827.0	50
			End bracket	ES 35/2/K	2826.2 beige	50
			End bracket	ES 35/K/ST	2828.0	50
STB 8.5/2.3	2075.0	50	Test socket	STB 8.5/2.3	2075.0	50
PS 2.3	2007.0	20	Test plug	PS 2.3	2007.0	20
QL 2	2076.0	50	Switchable link			
VH 16	2077.0	100	Connection sleeve			
BS M 2.5x20	2078.0	100	Screw			
AD 4	2079.0	50	Warning tag (German)			
AD 4 E	2493.0	50	Warning tag (English)			
BSK M 2.5x20	2080.0	100	Plastic screw for warning tag			
Q2	2087.0	50	Cross-connection	Q2	2567.0	50
Q3	2088.0	50	Cross-connection	Q3	2568.0	50
Q4	2089.0	20	Cross-connection	Q4	2569.0	20
Q10	2090.0	10	Cross-connection	Q10	2570.0	10