



Chipsmall Limited consists of a professional team with an average of over 10 year of expertise in the distribution of electronic components. Based in Hongkong, we have already established firm and mutual-benefit business relationships with customers from,Europe,America and south Asia,supplying obsolete and hard-to-find components to meet their specific needs.

With the principle of “Quality Parts,Customers Priority,Honest Operation,and Considerate Service”,our business mainly focus on the distribution of electronic components. Line cards we deal with include Microchip,ALPS,ROHM,Xilinx,Pulse,ON,Everlight and Freescale. Main products comprise IC,Modules,Potentiometer,IC Socket,Relay,Connector.Our parts cover such applications as commercial,industrial, and automotives areas.

We are looking forward to setting up business relationship with you and hope to provide you with the best service and solution. Let us make a better world for our industry!



Contact us

Tel: +86-755-8981 8866 Fax: +86-755-8427 6832

Email & Skype: info@chipsmall.com Web: www.chipsmall.com

Address: A1208, Overseas Decoration Building, #122 Zhenhua RD., Futian, Shenzhen, China



4

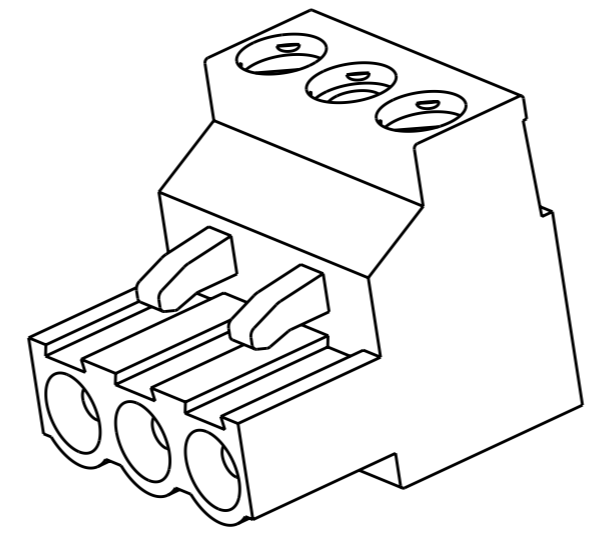
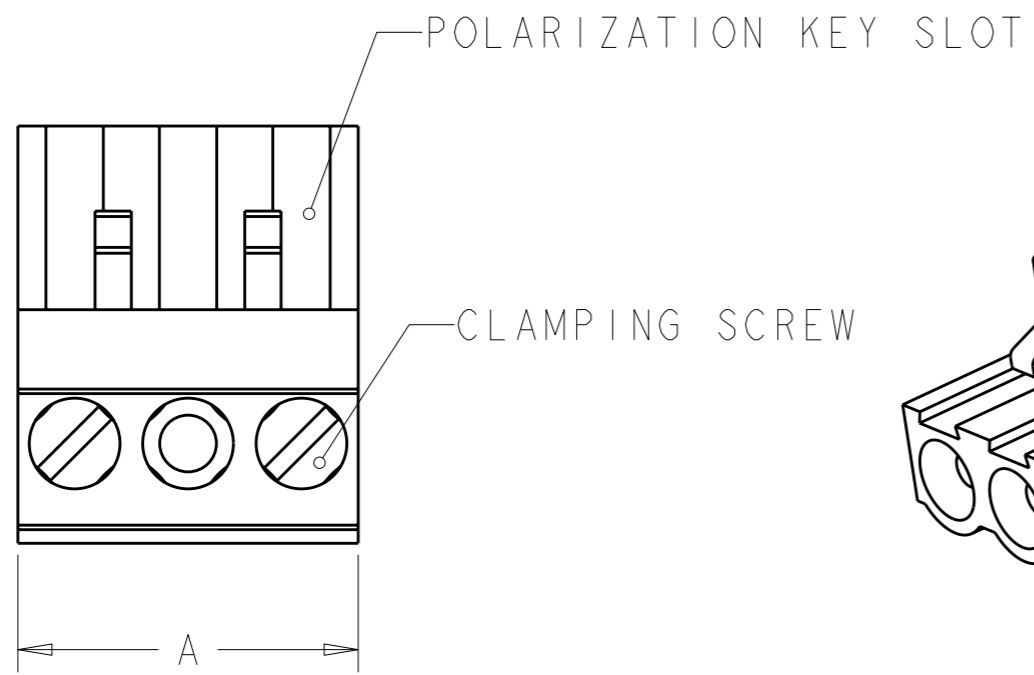
3

2

1

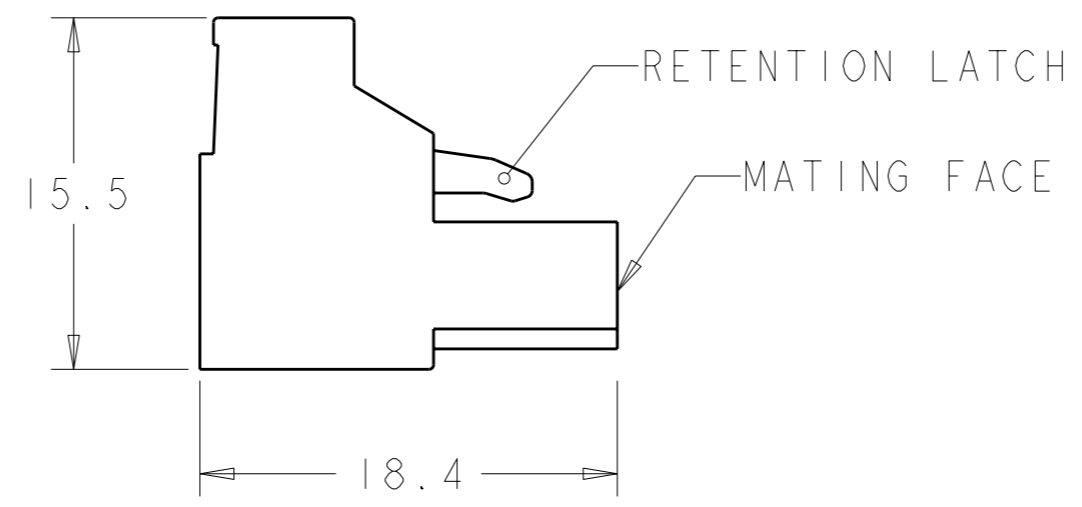
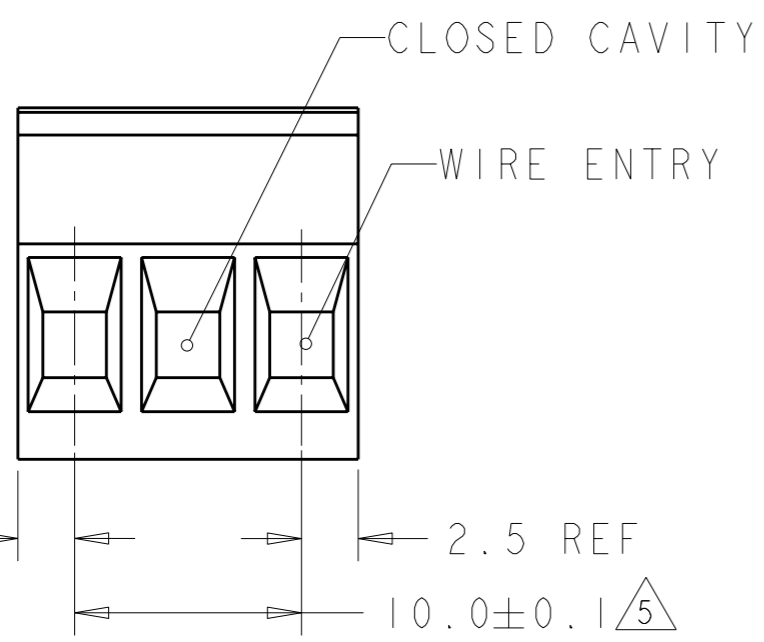
THIS DRAWING IS UNPUBLISHED. RELEASED FOR PUBLICATION 20
 © COPYRIGHT 20 ALL RIGHTS RESERVED.

LOC	DIST	REVISIONS			
P	LTR	DESCRIPTION	DATE	DWN	APVD
FT	0	C2	REVISED PER ECO-11-021326	04NOV2011	KH MS

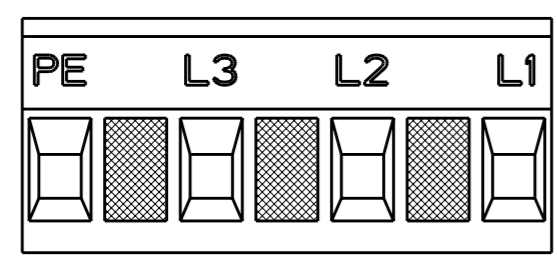


282808-2 AS SHOWN

- 1 MATERIALS AND FINISH
 HOUSING: PA 6-6, UL 94-V0, COLOR GREEN.
 CLAMP: BRASS, NICKEL PLATED.
 DOUBLE SIDE CONTACT SPRING: PHOSPHOR BRONZE, TIN PLATED.
 CLAMPING SCREW: M3, BRASS, NICKEL PLATED.
- 2 WIRE SIZE RANGE
 SOLID WIRE: 0,03-2,5mm² (13AWG).
 STRANDED WIRE: 0,03-1,5mm² (15AWG).
- 3 RECOGNIZED UNDER THE COMPONENT PROGRAM OF
 UNDERWRITERS LABORATORIES INC., FILE^o E60677.
- 4 IMQ CERTIFICATE WITH SURVEILLANCE IN
 CONFORMITY WITH IEC 998-1/998-2-1.
- 5 NOT CUMULATIVE TOLERANCE.
- 6 PERMANENT MARKING, COLOR BLACK.



DIM. A	NO OF POS.	PART NUMBER
35	4	1-282808-4
125	13	1-282808-3
115	12	1-282808-2
105	11	1-282808-1
95	10	1-282808-0
85	9	282808-9
75	8	282808-8
65	7	282808-7
55	6	282808-6
45	5	282808-5
35	4	282808-4
25	3	282808-3
15	2	282808-2



SCALE 2:1
 1-282808-4 AS SHOWN

THIS DRAWING IS A CONTROLLED DOCUMENT.		DWN E. ZANOLINI 23JUL2001		TE Connectivity	
DIMENSIONS: mm		CHK D. BIEVENOUR 23JUL2001			
TOLERANCES UNLESS OTHERWISE SPECIFIED:		APVD D. BIEVENOUR 23JUL2001		NAME	
0 PLC ±-		PRODUCT SPEC		108-20166	
1 PLC ±0.2		APPLICATION SPEC		114-20079	
2 PLC ±0.25		WEIGHT		-	
3 PLC ±-		CUSTOMER DRAWING		SCALE 3:1	
4 PLC ±-		FINISH		SHEET 1 OF 1	
ANGLES ±2		MATERIAL		REV C2	