



Chipsmall Limited consists of a professional team with an average of over 10 year of expertise in the distribution of electronic components. Based in Hongkong, we have already established firm and mutual-benefit business relationships with customers from,Europe,America and south Asia,supplying obsolete and hard-to-find components to meet their specific needs.

With the principle of "Quality Parts,Customers Priority,Honest Operation,and Considerate Service",our business mainly focus on the distribution of electronic components. Line cards we deal with include Microchip,ALPS,ROHM,Xilinx,Pulse,ON,Everlight and Freescale. Main products comprise IC,Modules,Potentiometer,IC Socket,Relay,Connector.Our parts cover such applications as commercial,industrial, and automotives areas.

We are looking forward to setting up business relationship with you and hope to provide you with the best service and solution. Let us make a better world for our industry!



Contact us

Tel: +86-755-8981 8866 Fax: +86-755-8427 6832

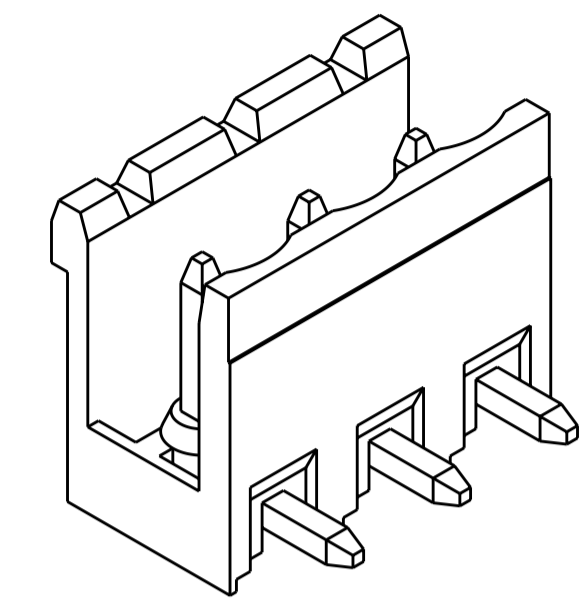
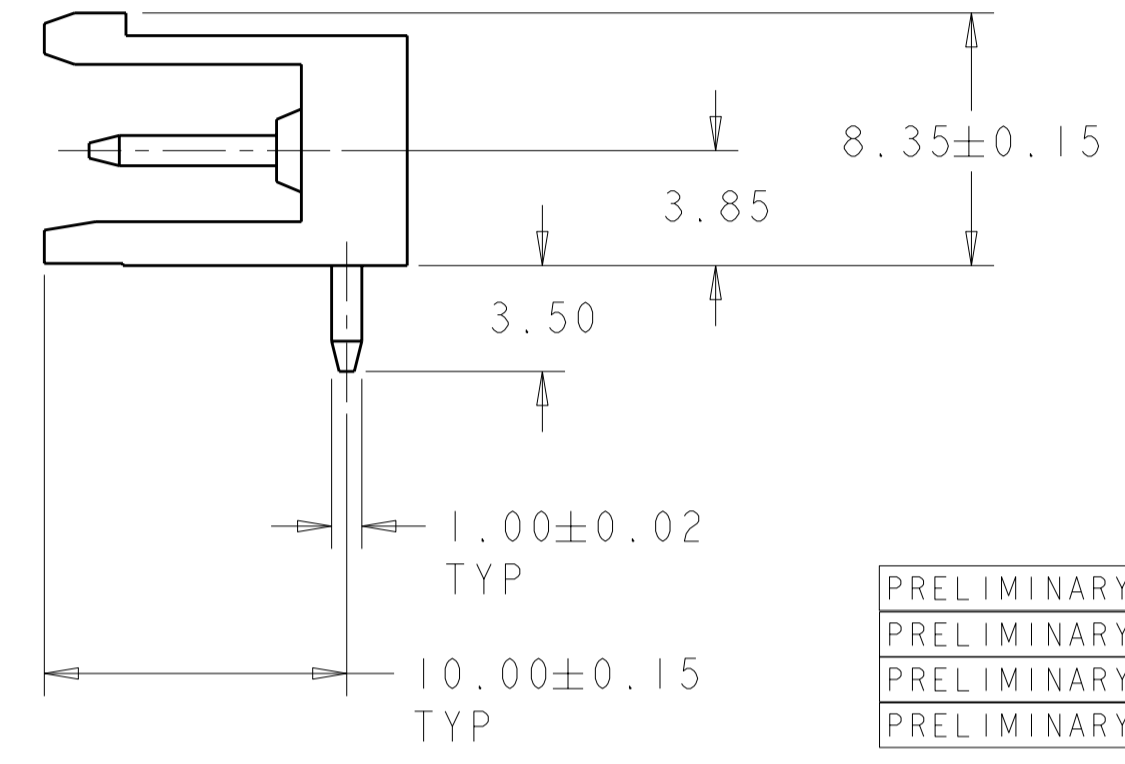
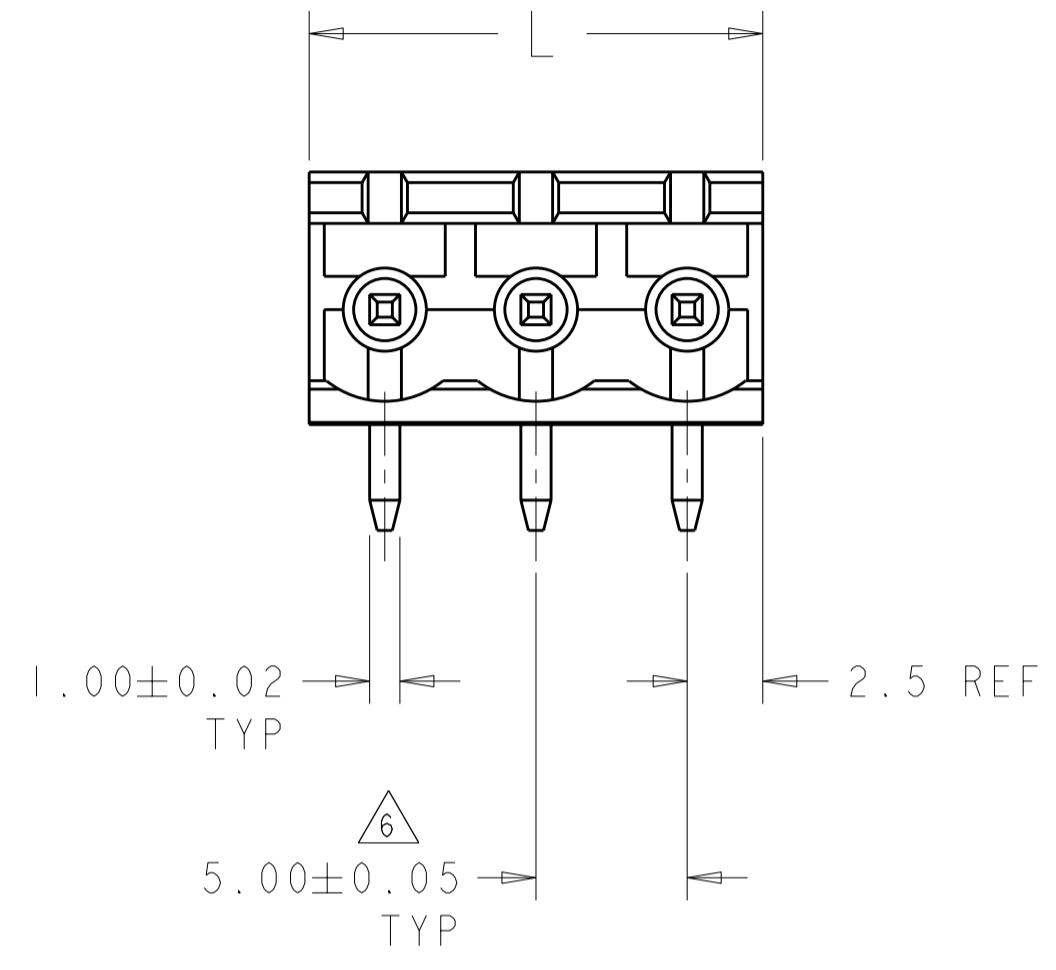
Email & Skype: info@chipsmall.com Web: www.chipsmall.com

Address: A1208, Overseas Decoration Building, #122 Zhenhua RD., Futian, Shenzhen, China



THIS DRAWING IS UNPUBLISHED. RELEASED FOR PUBLICATION 20
 © COPYRIGHT 20 BY - ALL RIGHTS RESERVED.

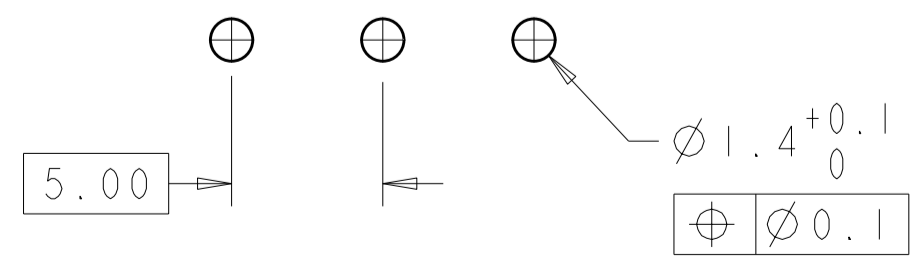
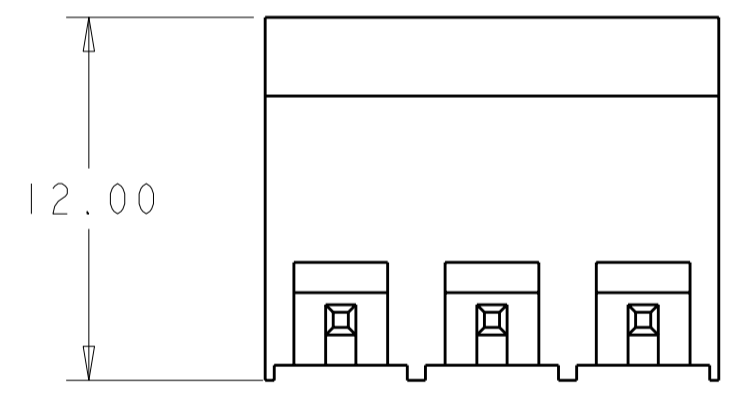
LOC		DIST		REVISIONS			
P	LTR	DESCRIPTION	DATE	DWN	APVD		
	D4	REVISED PER ECO-12-007964	02MAY2012	KH	MS		



282812-3 AS SHOWN

PRELIMINARY	COLOR	PLATING	SPECIAL	L	NO OF POSN	PART NUMBER
PRELIMINARY	GREEN	MATTE TIN	-		15.0	3-282812-7
PRELIMINARY	ORANGE	TIN	-		75.0	3-282812-6
PRELIMINARY	ORANGE	TIN	-		65.0	3-282812-5
PRELIMINARY	ORANGE	TIN	-		15.0	3-282812-4
	GREEN	0.76um GOLD	-		15.0	3-282812-3
	GREEN	TIN	SEE DETAIL M		55.0	3-282812-1
	GREEN	TIN	-		125.0	2-282812-5
	GREEN	TIN	-		120.0	2-282812-4
	GREEN	TIN	-		115.0	2-282812-3
	GREEN	TIN	-		110.0	2-282812-2
	GREEN	TIN	-		105.0	2-282812-1
	GREEN	TIN	-		100.0	2-282812-0
	GREEN	TIN	-		95.0	1-282812-9
	GREEN	TIN	-		90.0	1-282812-8
	GREEN	TIN	-		85.0	1-282812-7
	GREEN	TIN	-		80.0	1-282812-6
	GREEN	TIN	-		75.0	1-282812-5
	GREEN	TIN	-		70.0	1-282812-4
	GREEN	TIN	-		65.0	1-282812-3
	GREEN	TIN	-		60.0	1-282812-2
	GREEN	TIN	-		55.0	1-282812-1
	GREEN	TIN	-		50.0	1-282812-0
	GREEN	TIN	-		45.0	282812-9
	GREEN	TIN	-		40.0	282812-8
	GREEN	TIN	-		35.0	282812-7
	GREEN	TIN	-		30.0	282812-6
	GREEN	TIN	-		25.0	282812-5
	GREEN	TIN	-		20.0	282812-4
	GREEN	TIN	-		15.0	282812-3
	GREEN	TIN	-		10.0	282812-2

- 1. MATERIALS AND FINISH
 HOUSING: PA 6-6, UL 94-V0, COLOR: SEE TABLE.
 TERMINAL: COPPER ALLOY, SEE TABLE.
- 2. SUITABLE FOR 1,6-2,4mm PC BOARD THICKNESS.
- 3. END-TO-END STACKABLE WITHOUT LOSS OF CENTERLINE SPACING.
- 4. RECOGNIZED UNDER THE COMPONENT PROGRAM OF UNDERWRITERS LABORATORIES INC. FILE N° E60677.
- 5. IMQ CERTIFICATE WITH SURVEILLANCE IN CONFORMITY WITH IEC 998-1/998-2-1.
- 6. NOT CUMULATIVE TOLERANCE.
- 7. BUCHANAN LOGO TO APPEAR ON HOUSING, LOCATION OPTIONAL WHERE SPACE PERMITS.
- 8. SELECTIVELY LOADED IN POSITIONS 1, 4, 5, 8 & 11.



RECOMMENDED PC BOARD LAYOUT

THIS DRAWING IS A CONTROLLED DOCUMENT.

DIMENSIONS: mm	TOLERANCES UNLESS OTHERWISE SPECIFIED:	DWN S. WELDON 12SEP2002	 TE Connectivity
		CHK C. RICHARD 12SEP2002	
		APVD C. RICHARD 12SEP2002	
		PRODUCT SPEC 108-20166	
MATERIAL	FINISH	APPLICATION SPEC 114-20079	NAME
		WEIGHT -	TERMINAL BLOCK HEADER ASSEMBLY
		CUSTOMER DRAWING	90 DEGREE, OPEN ENDS, STACKING
			5.00mm PITCH
			SIZE
			CAGE CODE
			DRAWING NO
			RESTRICTED TO
			A200779
			C-282812
			SCALE 3:1
			SHEET 1 OF 2
			REV D4

4

3

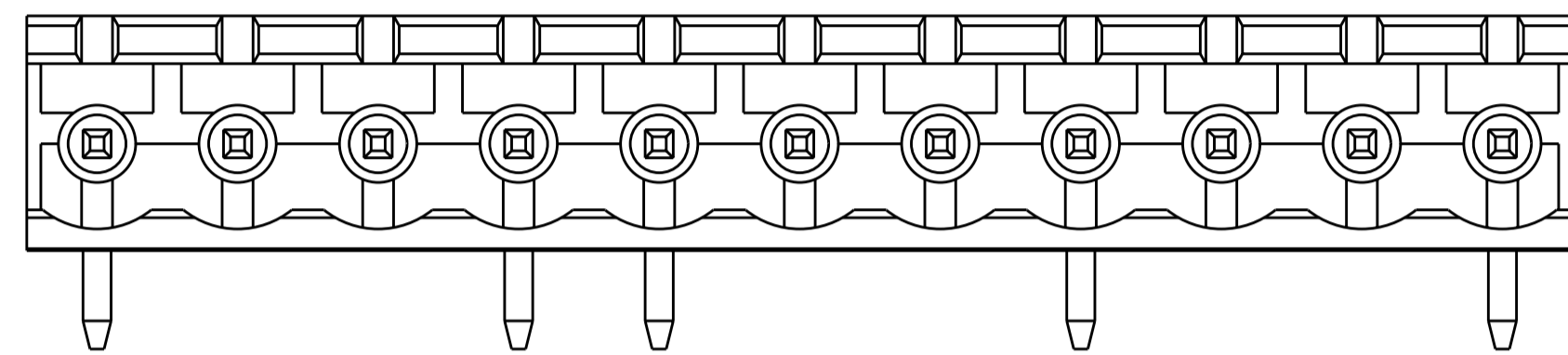
2

1


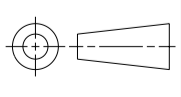
THIS DRAWING IS UNPUBLISHED. RELEASED FOR PUBLICATION 20

© COPYRIGHT 20 BY - ALL RIGHTS RESERVED.

LOC	DIST	REVISIONS			
P	LTR	DESCRIPTION	DATE	DWN	APVD
FT	0	-	SEE SHEET 1	-	-



8
DETAIL M

THIS DRAWING IS A CONTROLLED DOCUMENT.		DWN S. WELDON	12SEP2002	 TE Connectivity
DIMENSIONS:		CHK C. RICHARD	12SEP2002	
mm		APVD C. RICHARD	12SEP2002	
		PRODUCT SPEC		
TOLERANCES UNLESS OTHERWISE SPECIFIED:		APPLICATION SPEC		NAME TERMINAL BLOCK HEADER ASSEMBLY 90 DEGREE, OPEN ENDS, STACKING 5.00mm PITCH
0 PLC	±-	WEIGHT	-	SIZE A200779
1 PLC	±.2	CUSTOMER DRAWING		CAGE CODE C-282812
2 PLC	±.25	SCALE	3:1	DRAWING NO 282812
3 PLC	±-	SHEET	2	OF
4 PLC	±-	RESTRICTED TO	-	REV
ANGLES	±2			D3
FINISH				