



Chipsmall Limited consists of a professional team with an average of over 10 year of expertise in the distribution of electronic components. Based in Hongkong, we have already established firm and mutual-benefit business relationships with customers from,Europe,America and south Asia,supplying obsolete and hard-to-find components to meet their specific needs.

With the principle of “Quality Parts,Customers Priority,Honest Operation,and Considerate Service”,our business mainly focus on the distribution of electronic components. Line cards we deal with include Microchip,ALPS,ROHM,Xilinx,Pulse,ON,Everlight and Freescale. Main products comprise IC,Modules,Potentiometer,IC Socket,Relay,Connector.Our parts cover such applications as commercial,industrial, and automotives areas.

We are looking forward to setting up business relationship with you and hope to provide you with the best service and solution. Let us make a better world for our industry!



Contact us

Tel: +86-755-8981 8866 Fax: +86-755-8427 6832

Email & Skype: info@chipsmall.com Web: www.chipsmall.com

Address: A1208, Overseas Decoration Building, #122 Zhenhua RD., Futian, Shenzhen, China



4

3

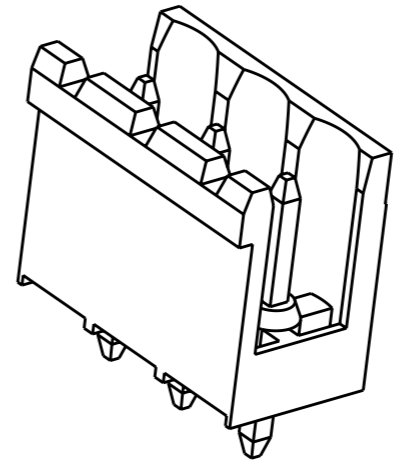
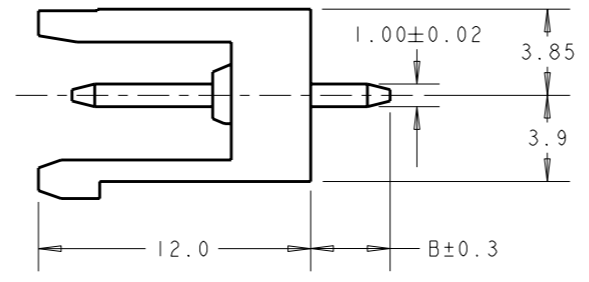
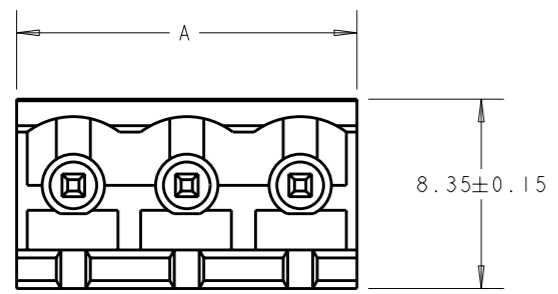
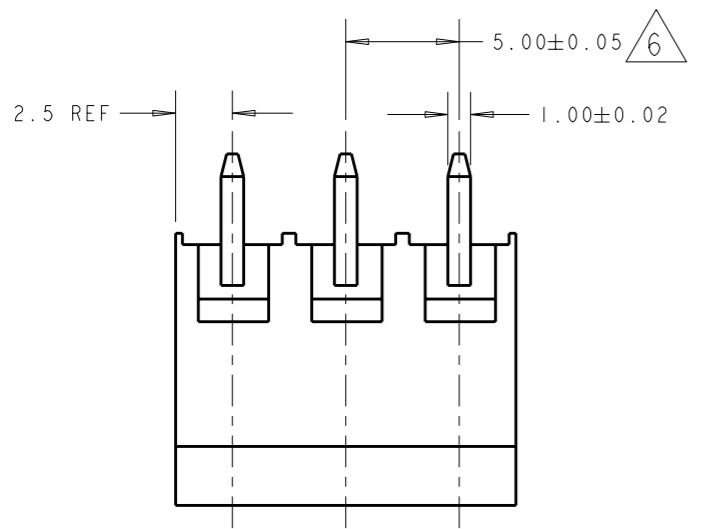
2

1

THIS DRAWING IS UNPUBLISHED. RELEASED FOR PUBLICATION 20
 © COPYRIGHT 20 ALL RIGHTS RESERVED.

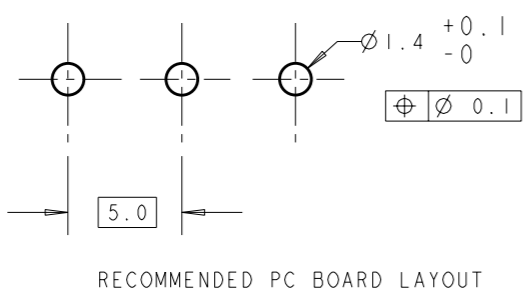
LOC	DIST	REVISIONS			
P	LTR	DESCRIPTION	DATE	DWN	APVD
		C2	REVISED PER ECO-12-007964	02MAY2012	KH MS

- 1 MATERIALS AND FINISH
HOUSING: PA 6-6, UL 94-V0, COLOR GREEN, RAL 7032.
TERMINAL: COPPER ALLOY, TIN PLATED.
- 2 SUITABLE FOR 1,6-2,4mm PC BOARD THICKNESS.
- 3 END-TO-END STACKABLE WITHOUT LOSS OF CENTERLINE SPACING.
- 4 RECOGNIZED UNDER THE COMPONENT PROGRAM OF UNDERWRITERS LABORATORIES INC., FILE N° E60677.
- 5 IMQ CERTIFICATE WITH SURVEILLANCE IN CONFORMITY WITH IEC 998-1/998-2-1.
- 6 NOT CUMULATIVE TOLERANCE.



282822-3 AS SHOWN

DIM. B	DIM. A	N° POS.	PART NUMBER
7.6	30	6	2-282822-6
	125	25	2-282822-5
	120	24	2-282822-4
	115	23	2-282822-3
	110	22	2-282822-2
	105	21	2-282822-1
	100	20	2-282822-0
	95	19	1-282822-9
	90	18	1-282822-8
	85	17	1-282822-7
	80	16	1-282822-6
	75	15	1-282822-5
3.5	70	14	1-282822-4
	65	13	1-282822-3
	60	12	1-282822-2
	55	11	1-282822-1
	50	10	1-282822-0
	45	9	282822-9
	40	8	282822-8
	35	7	282822-7
	30	6	282822-6
	25	5	282822-5
	20	4	282822-4
	15	3	282822-3
	10	2	282822-2



THIS DRAWING IS A CONTROLLED DOCUMENT.		DWN E. ZANOLINI 20 JUL 2001	TE Connectivity	
DIMENSIONS: mm		CHK D. BIEVENOUR 20 JUL 2001		
TOLERANCES UNLESS OTHERWISE SPECIFIED:		APVD D. BIEVENOUR 20 JUL 2001	NAME TERMINAL BLOCK HEADER ASSEMBLY 180 DEG OPEN ENDS, STACKING 5mm PITCH	
0 PLC ±-		PRODUCT SPEC 108-20166	SIZE A3	
1 PLC ±.2		APPLICATION SPEC 114-20079	CAGE CODE 00779	DRAWING NO C-282822
2 PLC ±.25		WEIGHT -	RESTRICTED TO -	
3 PLC ±-		CUSTOMER DRAWING	SCALE 3:1	
4 PLC ±-			SHEET 1 OF 1	
ANGLES ±2		REV C2		
MATERIAL				
FINISH				