



Chipsmall Limited consists of a professional team with an average of over 10 year of expertise in the distribution of electronic components. Based in Hongkong, we have already established firm and mutual-benefit business relationships with customers from,Europe,America and south Asia,supplying obsolete and hard-to-find components to meet their specific needs.

With the principle of “Quality Parts,Customers Priority,Honest Operation,and Considerate Service”,our business mainly focus on the distribution of electronic components. Line cards we deal with include Microchip,ALPS,ROHM,Xilinx,Pulse,ON,Everlight and Freescale. Main products comprise IC,Modules,Potentiometer,IC Socket,Relay,Connector.Our parts cover such applications as commercial,industrial, and automotives areas.

We are looking forward to setting up business relationship with you and hope to provide you with the best service and solution. Let us make a better world for our industry!



Contact us

Tel: +86-755-8981 8866 Fax: +86-755-8427 6832

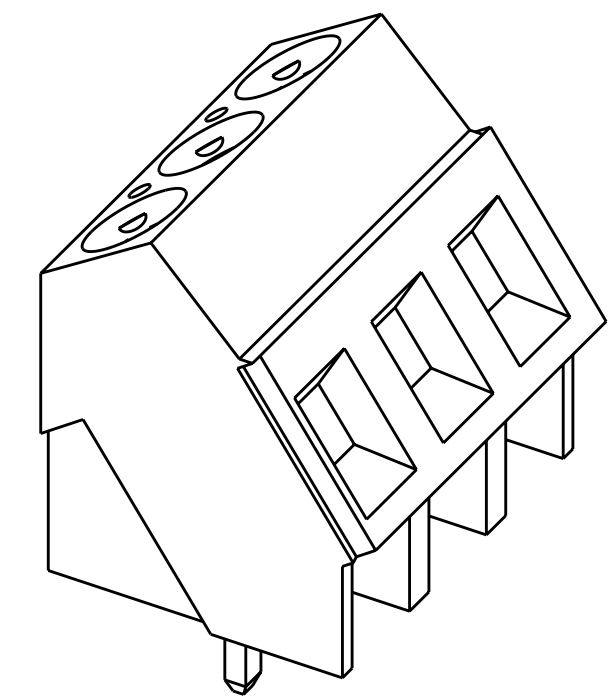
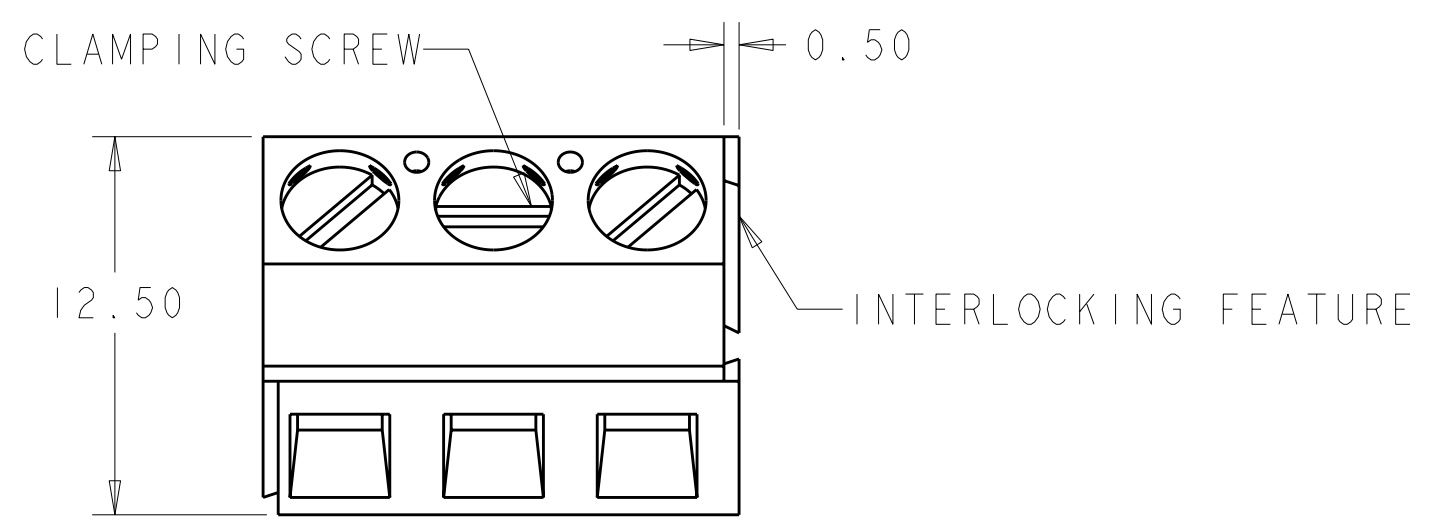
Email & Skype: info@chipsmall.com Web: www.chipsmall.com

Address: A1208, Overseas Decoration Building, #122 Zhenhua RD., Futian, Shenzhen, China

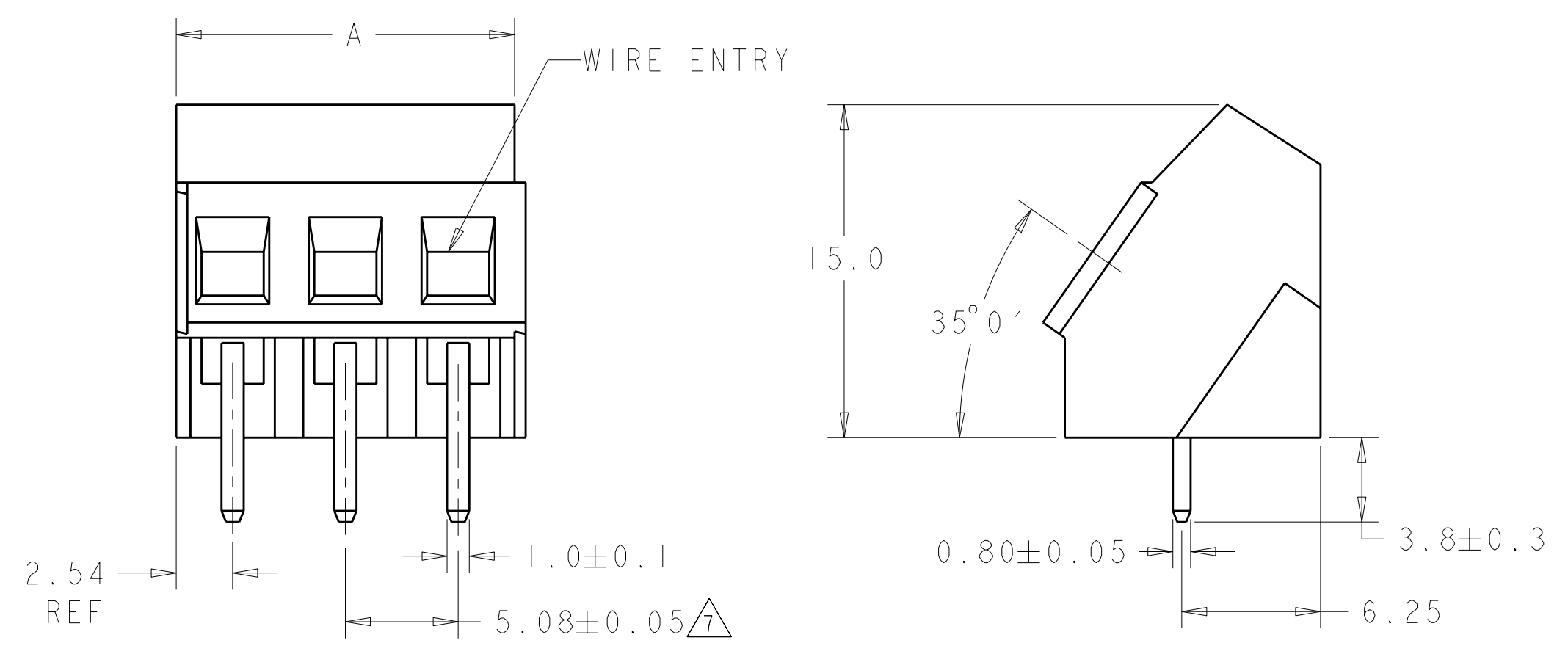


THIS DRAWING IS UNPUBLISHED. RELEASED FOR PUBLICATION 20
 © COPYRIGHT 20 BY - ALL RIGHTS RESERVED.

LOC		DIST		REVISIONS			
P	LTR	DESCRIPTION	DATE	DWN	APVD		
	D3	REVISED PER ECO-11-004820	11MAR2011	RK	HMR		

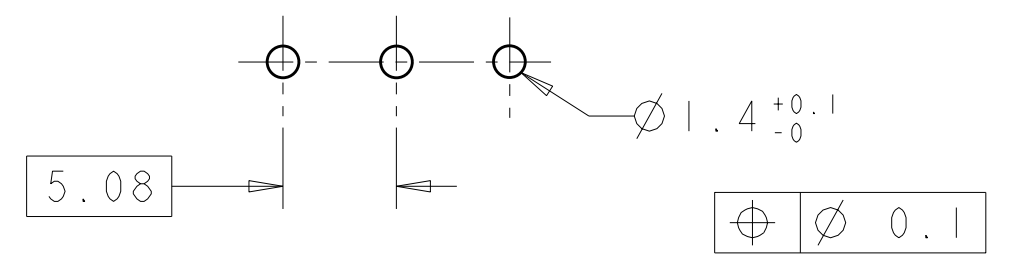


- 3 AS SHOWN



COLOR	DIM. A	MARKING	COMPOSITION	N° POS.	PART NUMBER	
GREEN	15.24	9	1, 2, 3	3	2-282847-5	
ORANGE	15.24	-	-	3	2-282847-3	
	45.72	9	SEE SHEET 2	3+3+3 pos.	9	1-282847-4
	66.04	9	SEE SHEET 2	2+2+3+3+3 pos.	13	1-282847-3
	60.96	-	-	3+3+3+3 pos.	12	1-282847-2
	55.88	-	-	3+3+3+2 pos.	11	1-282847-1
	50.80	-	-	3+3+2+2 pos.	10	1-282847-0
GREEN	45.72	-	-	3+3+3 pos.	9	282847-9
	40.64	-	-	3+3+2 pos.	8	282847-8
	35.56	-	-	3+2+2 pos.	7	282847-7
	30.48	-	-	3+3 pos.	6	282847-6
	25.40	-	-	3+2 pos.	5	282847-5
	20.32	-	-	2+2 pos.	4	282847-4
	15.24	-	-	-	3	282847-3
	10.16	-	-	-	2	282847-2

RECOMMENDED PC BOARD LAYOUT



THIS DRAWING IS A CONTROLLED DOCUMENT.

DWN: E. ZANOLINI (15MAR2001)
 CHK: D. BIEVENOUR (15MAR2001)
 APVD: D. BIEVENOUR (15MAR2001)

STE TE Connectivity

NAME: TERMINAL BLOCK, PCB MOUNT
 ANGLED ENTRY WIRE, STACKING
 W/ INTERLOCK, 5.08mm, PITCH

SIZE: A2 CAGE CODE: 00779 DRAWING NO: C-282847 RESTRICTED TO: -

MATERIAL: 1 - TOLERANCES UNLESS OTHERWISE SPECIFIED: 1 -

0 PLC ±-
 1 PLC ±.3
 2 PLC ±.25
 3 PLC ±.
 4 PLC ±-
 ANGLES ±2
 FINISH 1 -

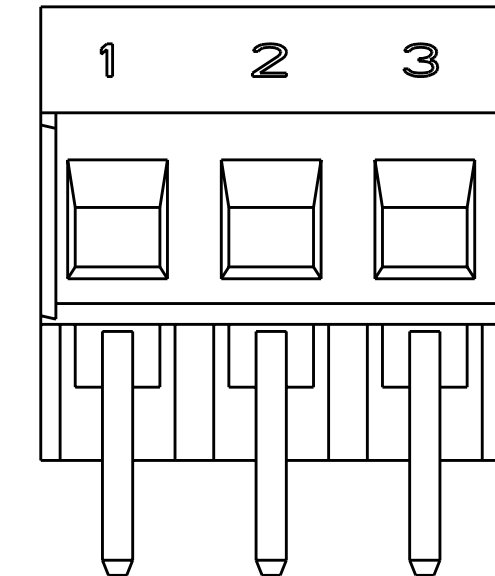
PRODUCT SPEC: -
 APPLICATION SPEC: -
 WEIGHT: -

CUSTOMER DRAWING SCALE: 4:1 SHEET 1 OF 2 REV D3

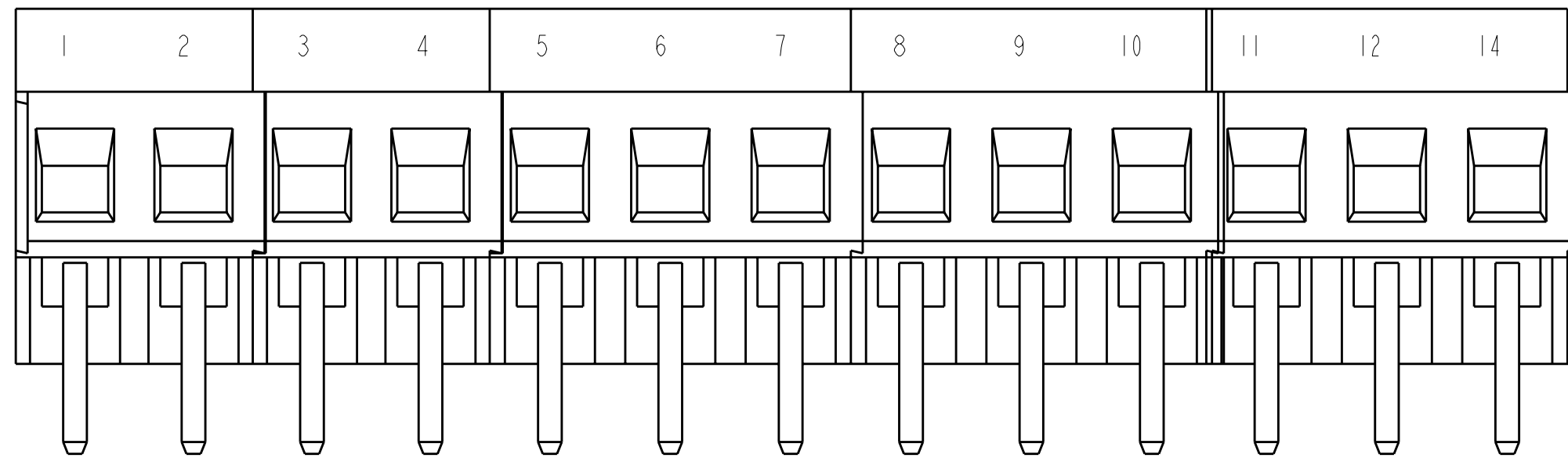
THIS DRAWING IS UNPUBLISHED. RELEASED FOR PUBLICATION 20
 © COPYRIGHT 20 BY - ALL RIGHTS RESERVED.

LOC	DIST	REVISIONS			
P	LTR	DESCRIPTION	DATE	DWN	APVD
FT	0	-	SEE SHEET 1	-	-

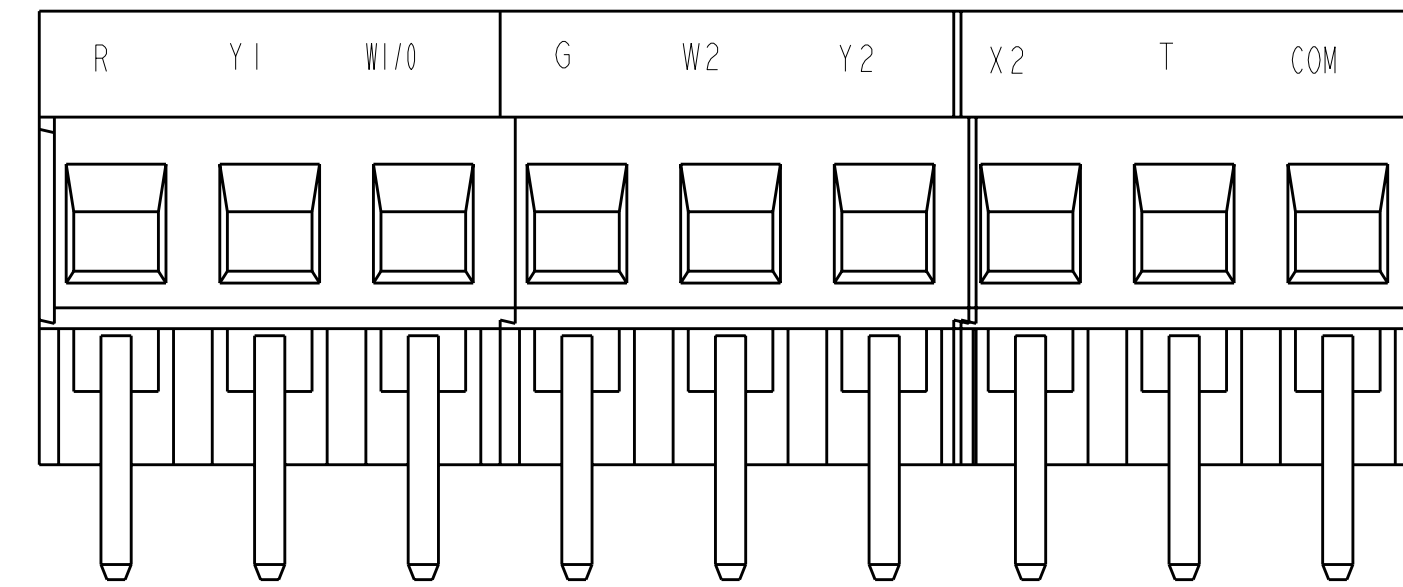
- 1 MATERIALS AND FINISH:
 HOUSING: PA 6-6, UL 94-V0, COLOR: SEE TABLE.
 CLAMP: BRASS, NICKEL PLATED.
 TERMINAL: BRASS, TIN PLATED.
 CLAMPING SCREW: M3, BRASS, NICKEL PLATED.
- 2 SUITABLE FOR 1,6-2,4mm PCB THICKNESS.
- 3 END-TO-END STACKABLE W/ INTERLOCK, WITHOUT LOSS OF CENTERLINE SPACING.
- 4 WIRE SIZE RANGE:
 SOLID WIRE: 0,03-2,5mm² (13AWG)
 STRANDED WIRE: 0,03-1,5mm² (15AWG)
- 5 RECOGNIZED UNDER THE COMPONENT PROGRAM OF UNDERWRITERS LABORATORIES INC., FILE N° E60677.
- 6 IMQ CERTIFICATE WITH SURVEILLANCE IN CONFORMITY WITH IEC 998-1/998-2-1.
- 7 NOT CUMULATIVE TOLERANCE.
- 8 P/NS OBTAINED BY GLUING AND ASSEMBLYING TOGETHER LISTED CONNECTORS.
- 9 INK MARKING, BLACK COLOR



P/N 2-282847-5 AS SHOWN



P/N 1-282847-3 AS SHOWN



P/N 1-282847-4 AS SHOWN

THIS DRAWING IS A CONTROLLED DOCUMENT.		DWN E. ZANOLINI	15MAR2001	STE TE Connectivity													
DIMENSIONS: mm		CHK D. BIEVENOUR	15MAR2001														
TOLERANCES UNLESS OTHERWISE SPECIFIED:		APVD D. BIEVENOUR	15MAR2001														
<table border="0"> <tr><td>0 PLC</td><td>±-</td></tr> <tr><td>1 PLC</td><td>±.3</td></tr> <tr><td>2 PLC</td><td>±.25</td></tr> <tr><td>3 PLC</td><td>±-</td></tr> <tr><td>4 PLC</td><td>±-</td></tr> <tr><td>ANGLES</td><td>±2</td></tr> <tr><td>FINISH</td><td></td></tr> </table>		0 PLC	±-		1 PLC	±.3	2 PLC	±.25	3 PLC	±-	4 PLC	±-	ANGLES	±2	FINISH		PRODUCT SPEC -
0 PLC	±-																
1 PLC	±.3																
2 PLC	±.25																
3 PLC	±-																
4 PLC	±-																
ANGLES	±2																
FINISH																	
MATERIAL	-	APPLICATION SPEC -	WEIGHT -	SIZE A2													
		CUSTOMER DRAWING	SCALE 4:1	CAGE CODE 00779													
				DRAWING NO 282847													
				RESTRICTED TO -													
				SHEET 2 OF 2													
				REV D3													