



Chipsmall Limited consists of a professional team with an average of over 10 year of expertise in the distribution of electronic components. Based in Hongkong, we have already established firm and mutual-benefit business relationships with customers from,Europe,America and south Asia,supplying obsolete and hard-to-find components to meet their specific needs.

With the principle of “Quality Parts,Customers Priority,Honest Operation,and Considerate Service”,our business mainly focus on the distribution of electronic components. Line cards we deal with include Microchip,ALPS,ROHM,Xilinx,Pulse,ON,Everlight and Freescale. Main products comprise IC,Modules,Potentiometer,IC Socket,Relay,Connector.Our parts cover such applications as commercial,industrial, and automotives areas.

We are looking forward to setting up business relationship with you and hope to provide you with the best service and solution. Let us make a better world for our industry!



Contact us

Tel: +86-755-8981 8866 Fax: +86-755-8427 6832

Email & Skype: info@chipsmall.com Web: www.chipsmall.com

Address: A1208, Overseas Decoration Building, #122 Zhenhua RD., Futian, Shenzhen, China



THIS DRAWING IS UNPUBLISHED.

RELEASED FOR PUBLICATION

20

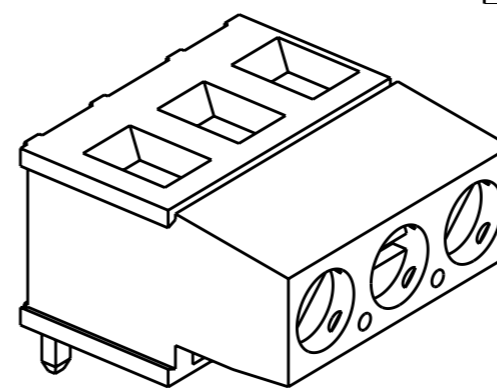
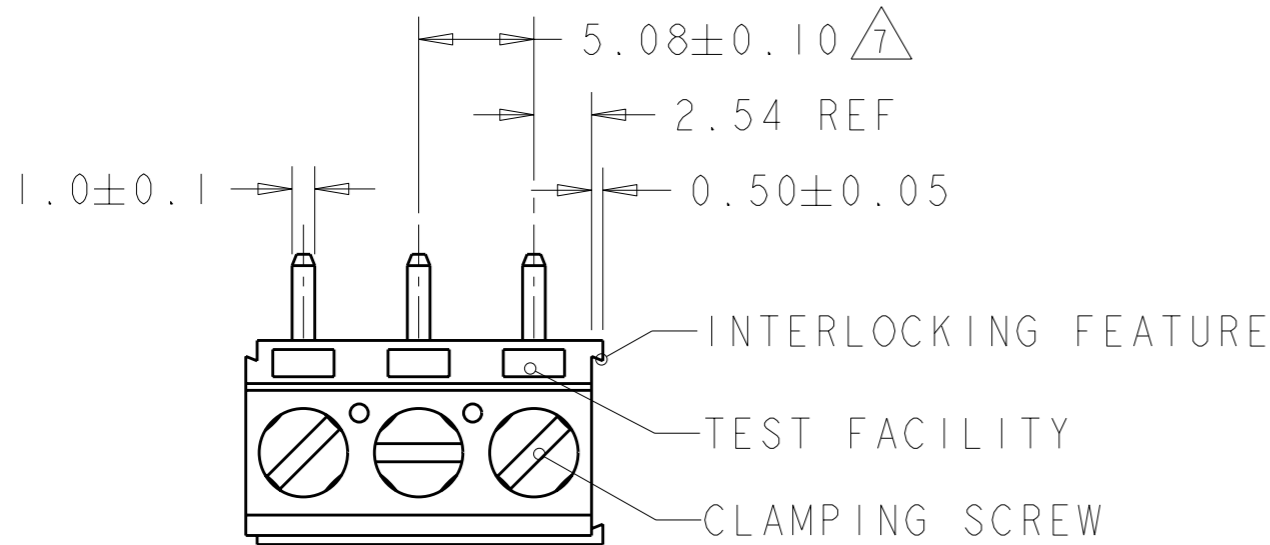
© COPYRIGHT 20

ALL RIGHTS RESERVED.

LOC	DIST
FT	0

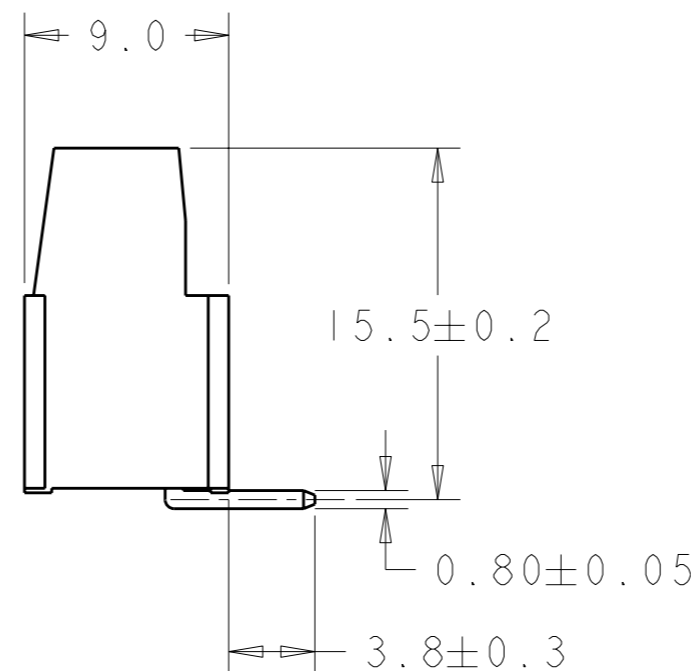
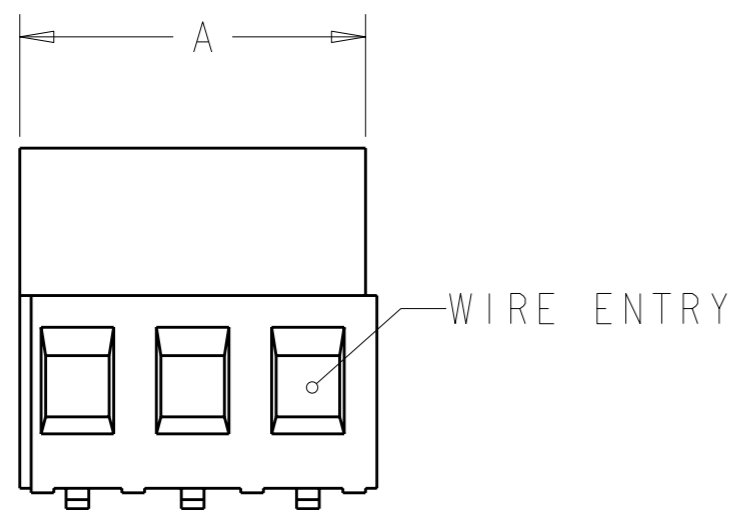
REVISIONS

P	LTR	DESCRIPTION	DATE	DWN	APVD
	CI	REVISED PER ECO-11-005294	06APR2011	RK	HMR

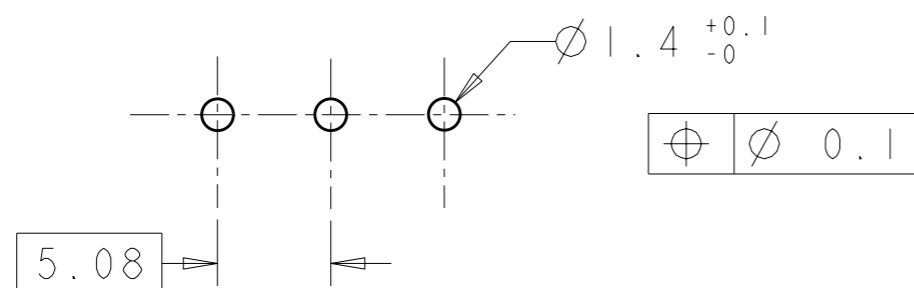


282851-3 AS SHOWN

DIM A	No OF POS	PART NUMBER
127.00	25	2-282851-5
121.92	24	2-282851-4
116.84	23	2-282851-3
111.76	22	2-282851-2
106.68	21	2-282851-1
101.60	20	2-282851-0
96.52	19	1-282851-9
91.44	18	1-282851-8
86.36	17	1-282851-7
81.28	16	1-282851-6
76.20	15	1-282851-5
71.12	14	1-282851-4
66.04	13	1-282851-3
60.96	12	1-282851-2
55.88	11	1-282851-1
50.80	10	1-282851-0
45.72	9	282851-9
40.64	8	282851-8
35.56	7	282851-7
30.48	6	282851-6
25.40	5	282851-5
20.32	4	282851-4
15.24	3	282851-3
10.16	2	282851-2



RECOMMENDED PCB LAYOUT



THIS DRAWING IS A CONTROLLED DOCUMENT.

DIMENSIONS:
mm

TOLERANCES UNLESS OTHERWISE SPECIFIED:

- 0 PLC ±-
- 1 PLC ±.3
- 2 PLC ±.25
- 3 PLC ±-
- 4 PLC ±-
- ANGLES ±2

MATERIAL

FINISH



DWN 20AUG2001

E. ZANOLINI

CHK 20AUG2001

D. BIEVENOUR

APVD 20AUG2001

D. BIEVENOUR

PRODUCT SPEC

108-20166

APPLICATION SPEC

114-20079

WEIGHT

-

CUSTOMER DRAWING



TE Connectivity

NAME
**TERMINAL BLOCK PCB MOUNT
 TOP ENTRY WIRE, STACKING
 W/INTERLOCK, 5.08mm PITCH**

SIZE	CAGE CODE	DRAWING NO	RESTRICTED TO
------	-----------	------------	---------------

A3	00779	C-282851	-
----	-------	----------	---

SCALE	SHEET	OF	REV
3:1	1	2	CI

THIS DRAWING IS UNPUBLISHED.

RELEASED FOR PUBLICATION 20

© COPYRIGHT 20

ALL RIGHTS RESERVED.

LOC	DIST	REVISIONS					
		P	LTR	DESCRIPTION	DATE	DWN	APVD
FT	0	-		SEE SHEET 1	-	-	-



MATERIALS AND FINISH

HOUSING: PA 6-6, UL 94-V0, COLOR GREEN.

CLAMP: BRASS, NICKEL PLATED.

TERMINAL: BRASS, TIN PLATED.

CLAMPING SCREW: M3, BRASS, NICKEL PLATED.

2 SUITABLE FOR 1,6-2,4mm PC BOARD THICKNESS.

3 END-TO-END STACKABLE W/INTERLOCK WITHOUT LOSS OF CENTERLINE SPACING.

4 WIRE SIZE RANGE

SOLID WIRE: 0,03-2,5mm² (13AWG).

STRANDED WIRE: 0,03-1,5mm² (15AWG).

5 RECOGNIZED UNDER THE COMPONENT PROGRAM OF UNDERWRITERS LABORATORIES INC. FILE N° E60677.

6 IMQ CERTIFICATE WITH SURVEILLANCE IN CONFORMITY WITH IEC 998-1/998-2-1.



NOT CUMULATIVE TOLERANCE.

THIS DRAWING IS A CONTROLLED DOCUMENT.		DWN E. ZANOLINI 20AUG2001	STE TE Connectivity	
DIMENSIONS: mm		CHK D. BIEVENOUR 20AUG2001		
TOLERANCES UNLESS OTHERWISE SPECIFIED:		APVD D. BIEVENOUR 20AUG2001	NAME TERMINAL BLOCK PCB MOUNT TOP ENTRY WIRE, STACKING W/INTERLOCK, 5.08mm PITCH	
0 PLC ±-		PRODUCT SPEC	SIZE CAGE CODE DRAWING NO RESTRICTED TO	
1 PLC ±-		-	A300779 C-282851	
2 PLC ±-		APPLICATION SPEC	SCALE 3:1 SHEET 2 OF 2 REV C1	
3 PLC ±-		-		
4 PLC ±-		WEIGHT		
ANGLES ±-		-		
MATERIAL -		FINISH -		
		CUSTOMER DRAWING		