



Chipsmall Limited consists of a professional team with an average of over 10 year of expertise in the distribution of electronic components. Based in Hongkong, we have already established firm and mutual-benefit business relationships with customers from,Europe,America and south Asia,supplying obsolete and hard-to-find components to meet their specific needs.

With the principle of “Quality Parts,Customers Priority,Honest Operation,and Considerate Service”,our business mainly focus on the distribution of electronic components. Line cards we deal with include Microchip,ALPS,ROHM,Xilinx,Pulse,ON,Everlight and Freescale. Main products comprise IC,Modules,Potentiometer,IC Socket,Relay,Connector.Our parts cover such applications as commercial,industrial, and automotives areas.

We are looking forward to setting up business relationship with you and hope to provide you with the best service and solution. Let us make a better world for our industry!



Contact us

Tel: +86-755-8981 8866 Fax: +86-755-8427 6832

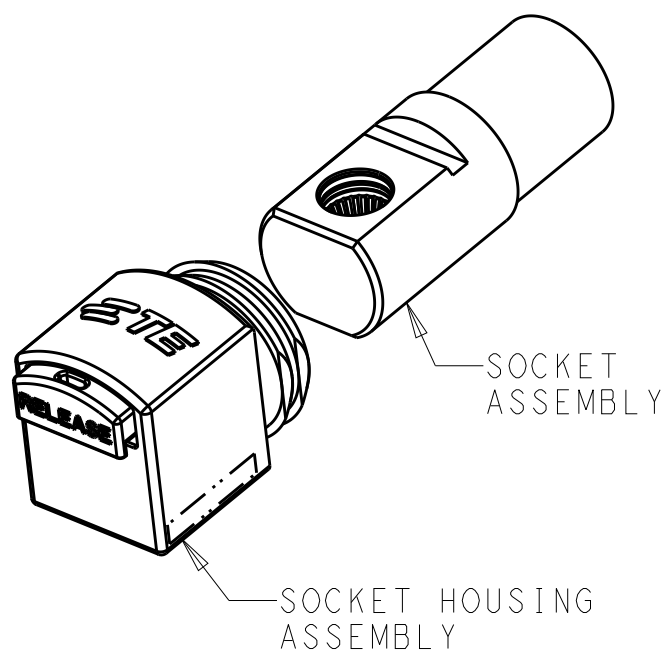
Email & Skype: info@chipsmall.com Web: www.chipsmall.com

Address: A1208, Overseas Decoration Building, #122 Zhenhua RD., Futian, Shenzhen, China



REVISIONS

P	LTR	DESCRIPTION	DATE	DWN	APVD
	C	REV PER ECO 17-001628	2-13-17	CT	PD

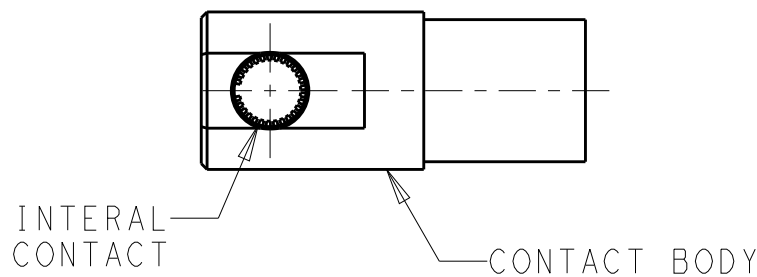
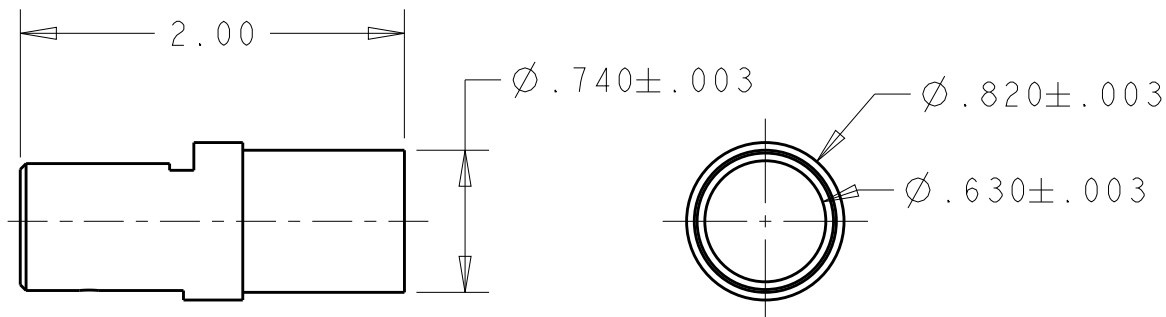
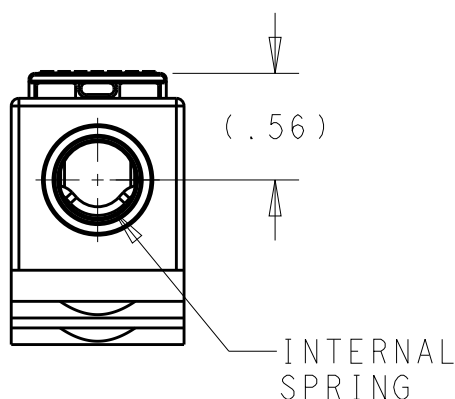
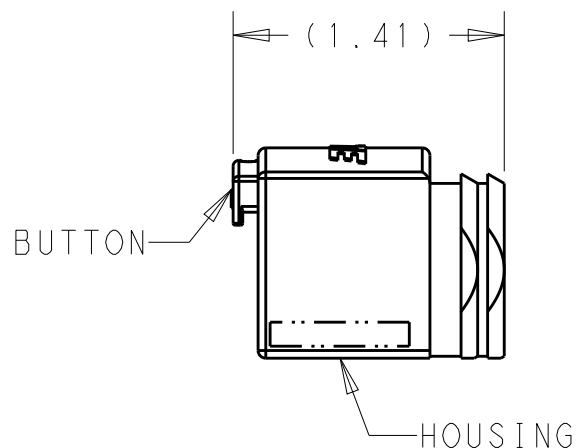
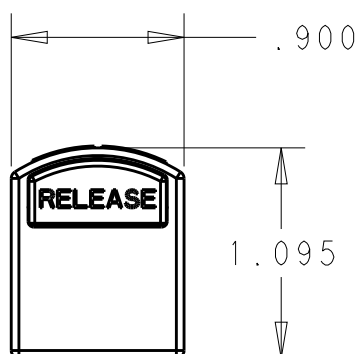


1 MATERIAL:
 HOUSING: THERMOPLASTIC, COLOR: PER TABLE
 BUTTON: THERMOPLASTIC, COLOR: BLACK
 INTERNAL CONTACT AND CONTACT BODY: COPPER ALLOY
 INTERNAL SPRING: STAINLESS STEEL


2 FINISH:
 INTERNAL CONTACT: SILVER OVER NICKEL
 CONTACT BODY: TIN OVER NICKEL

3 DO NOT ASSEMBLE SOCKET HOUSING ASSEMBLY ONTO SOCKET CONTACT ASSEMBLY UNTIL WIRE IS CRIMPED ONTO SOCKET CONTACT ASSEMBLY.

4. KIT WILL CONTAIN:
 1 SOCKET ASSEMBLY
 1 SOCKET HOUSING ASSEMBLY



BLACK	2828522-8
RED	2828522-7
BLUE	2828522-6
YELLOW	2828522-5
HOUSING COLOR	PART NUMBER

THIS DRAWING IS A CONTROLLED DOCUMENT.		DWN K. MILLER 24JUN2015	 TE Connectivity	
DIMENSIONS: INCHES		CHK L. OH 24JUN2015		
TOLERANCES UNLESS OTHERWISE SPECIFIED:		APVD J. FULPONT 24JUN2015	NAME KIT, SNAP-LUG, 3/0	
0 PLC ±- 1 PLC ±- 2 PLC ±.01 3 PLC ±.005 4 PLC ±- ANGLES ±-		PRODUCT SPEC 108-32083	RESTRICTED TO	
MATERIAL		APPLICATION SPEC 114-32130	SIZE A3	CAGE CODE 00779
FINISH		WEIGHT .158 lbs	DRAWING NO C-2828522	REV C
1 2		CUSTOMER DRAWING	SCALE 1:1	SHEET 1 OF 1